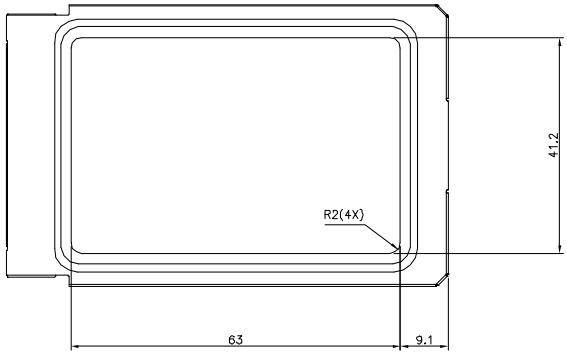
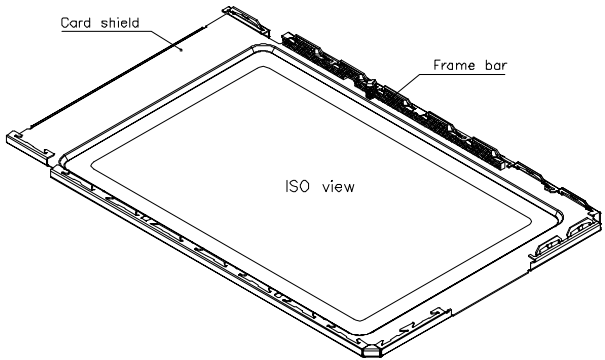
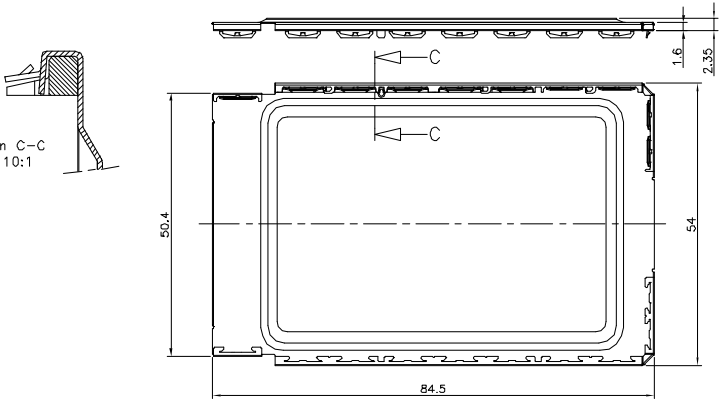
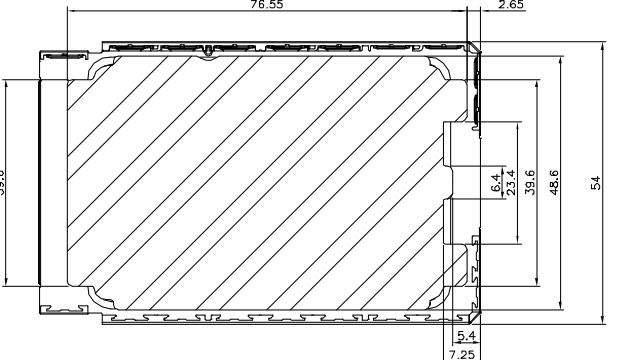


Product number	Insulator	Label recess	Product number	Packaging
83808-2100LF	no	no	83808-xxxxLF	1000 Rocard Shield/Box
83808-2101LF	yes	no	83808-xxxxSLF	200 Rocard Shield/Box
83808-2110LF	no	yes		
83808-2111LF	yes	yes		

Section C-C
Scale 10:1



Version: Label recess
(maximum label thickness 0.07 mm)



Version: Insulator
(thickness 0.07 mm)

MatL code	surface	tolerance	projection	product family
litr	ecm	no	dr	date
A	H80049	CCA	98.02.12	
B	F80195	CCA	98.04.08	
C	F90323	DAE	99.05.04	
D	F10514	DAE	01.09.07	dr
E	F05-0254	DAE	02.09.26	enat
F	F05-0158	DAE	06.02.27	enat
G	F05-0248	DAE	04.07.28	enat
sheet	revision			
index	sheet			

title
ROCARD SHIELD
TYPE II, 1x1/0

scale 2:1

mm

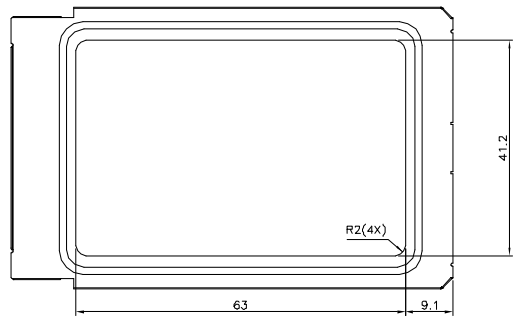
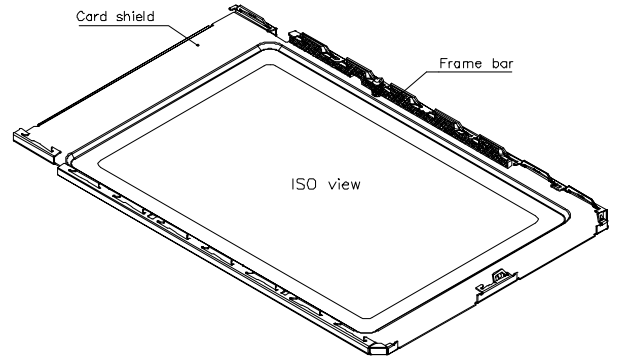
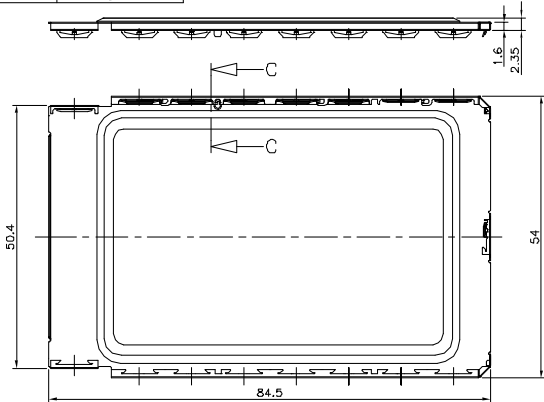
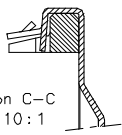
product family
PCMCIA

dwg no
83808

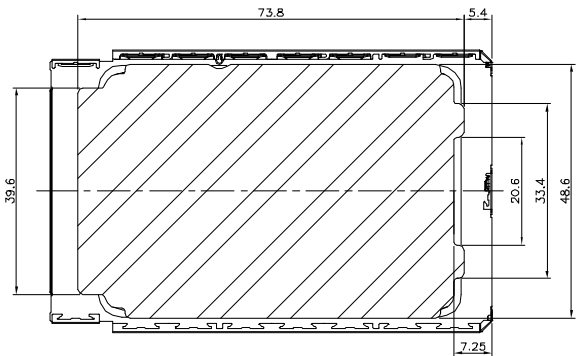
sheet 2 of - size
Az

type
CUSTOMER Drawing

Product number	Insulator	Label recess	Product number	Packaging
83808-22000LF	no	no	83808-xxxxLF	1000 Rocard Shield/Box
83808-22010LF	yes	no	83808-xxxxSLF	200 Rocard Shield/Box
83808-22100LF	no	yes		
83808-22110LF	yes	yes		



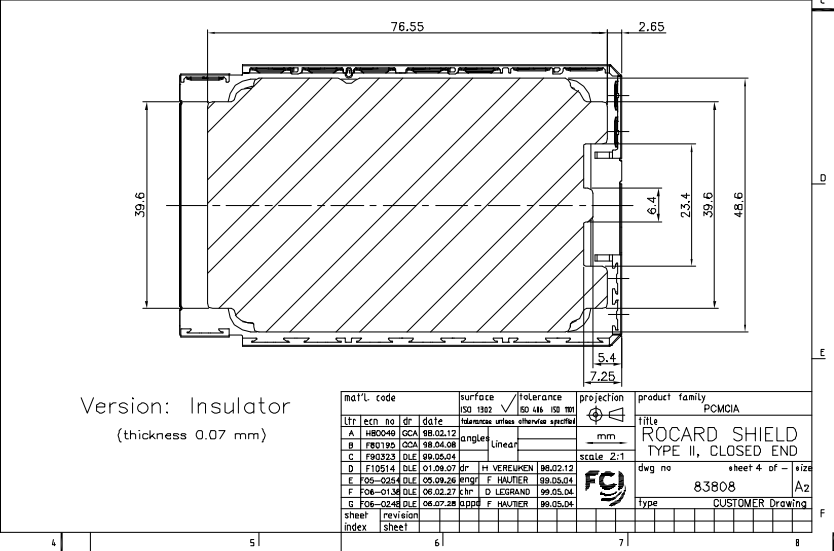
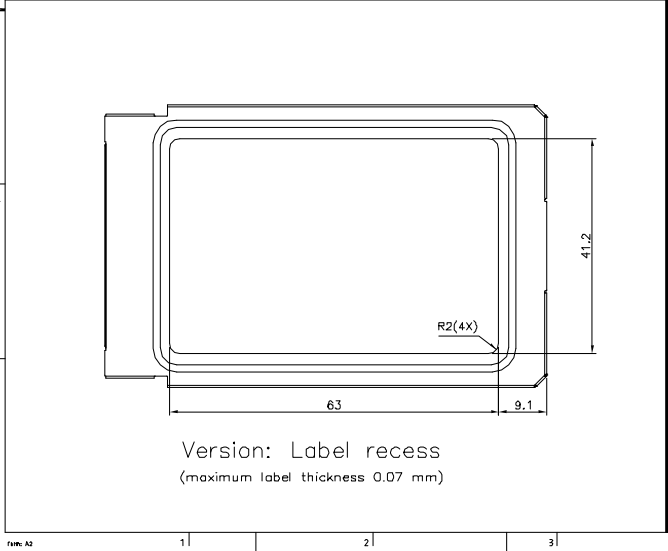
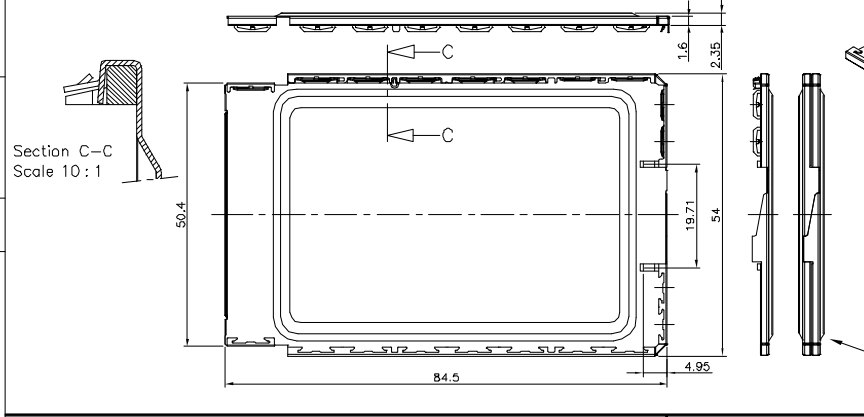
Version: Label recess
(maximum label thickness 0.07 mm)



Version: Insulator
(thickness 0.07 mm)

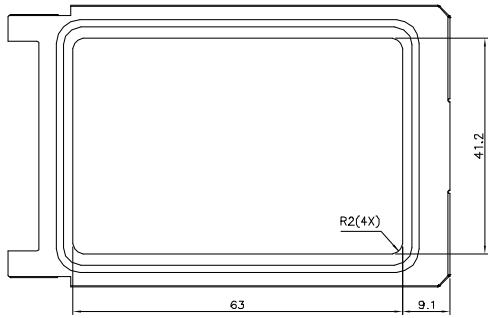
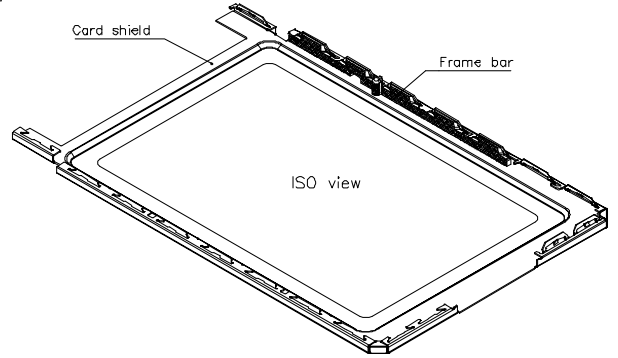
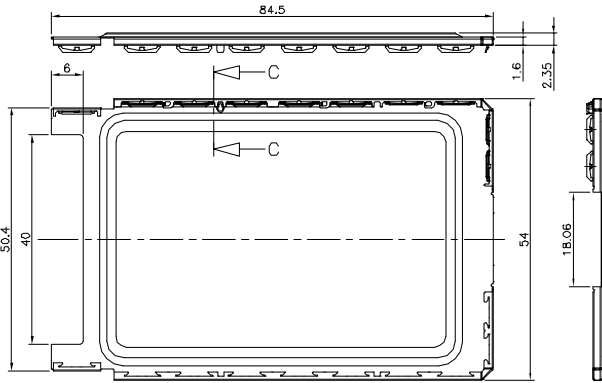
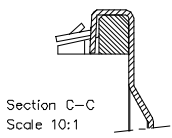
MatL code	surface	tolerance	projection	product family
litr	iso 1802	iso 446	iso 10	PCMCIA
ecm no	date	tolerance unless otherwise specified	mm	scale 2:1
A H80049	00A 98.03.12	Linear		ROCARD SHIELD
B F80190	00A 98.04.08			TYPE II, 2xl/0
C F80323	00A 99.05.04			dwg no 83808
D F10514	01A 01.09.07	H VEREUKEN 06.02.12		sheet 3 of - size Az
E F05-0254	02A 09.26	F HAUTER 99.05.04		type CUSTOMER Drawing
F F08-0158	02A 02.27	D LESIRANO 99.05.04		
G F08-0248	02A 07.28	F HAUTER 99.05.04		
sheet	revision			
index	sheet			

Product number	Insulator	Label recess	Product number	Packaging
83808-20000LF	no	no	83808-xxxxLF	1000 Rocard Shield/Box
83808-20010LF	yes	no	83808-xxxxSLF	200 Rocard Shield/Box
83808-20100LF	no	yes		
83808-20110LF	yes	yes		

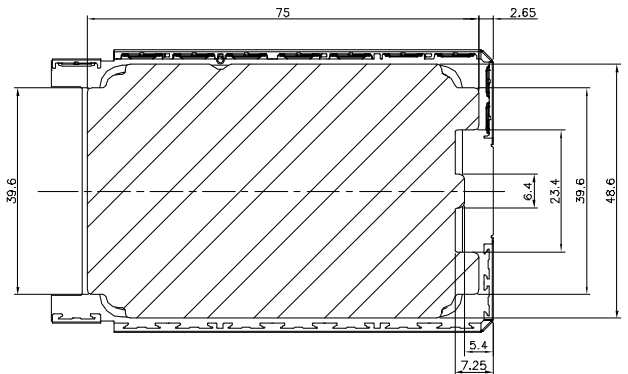


MatL code	surface	tolerance	projection	product family
ltr	ecm	no	dr	date
A	H80049	CCA	98.02.12	
B	F80195	CCA	98.04.08	
C	F80323	DLE	99.05.04	
D	F10514	DLE	01.09.07	dr
E	F05-0254	DLE	05.09.26	enat
F	F05-0158	DLE	06.02.27	kn
G	F05-0248	DLE	06.07.28	rippe
sheet	revision			
index	sheet			

Product number	Insulator	Label recess	Product number	Packaging
83808-21001LF	no	no	83808-xxxxLF	1000 Rocard Shield/Box
83808-21011LF	yes	no	83808-xxxxSLF	200 Rocard Shield/Box
83808-21101LF	no	yes		
83808-21111LF	yes	yes		



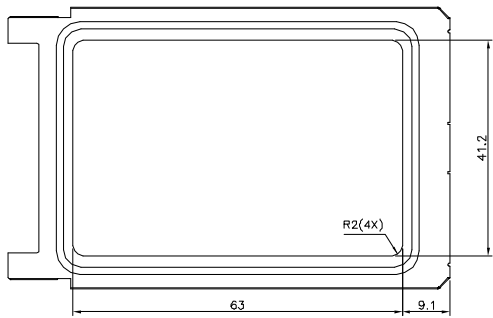
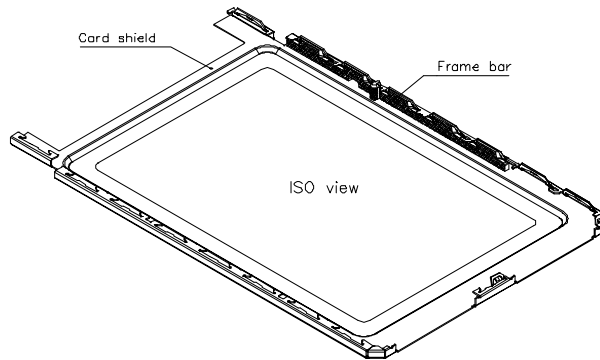
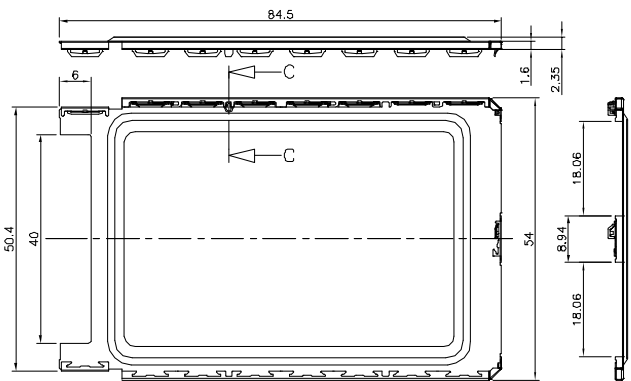
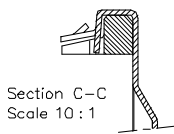
Version: Label recess
(maximum label thickness 0.07 mm)



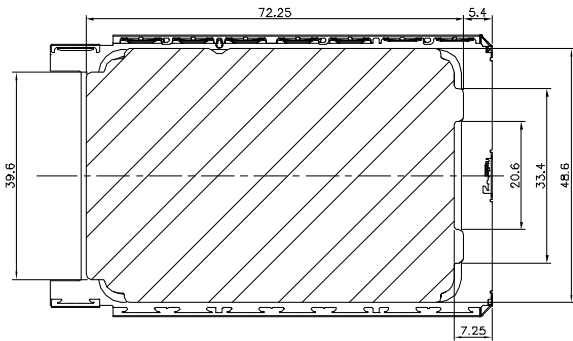
Version: Insulator
(thickness 0.07 mm)

MatL code	surface	tolerance	projection	product family
ltr	ecm	no	dr	date
A	H80049	CCA	98.02.12	
B	F80195	CCA	98.04.08	
C	F80323	DLE	99.05.04	
D	F10514	DLE	01.09.07	dr
E	F05-0254	DLE	02.09.26	enat
F	F05-0158	DLE	06.02.27	kn
G	F05-0248	DLE	04.07.28	rippe
sheet	revision			
index	sheet			

Product number	Insulator	Label recess	Product number	Packaging
83808-22001LF	no	no	83808-xxxxLF	1000 Rocard Shield/Box
83808-22011LF	yes	no	83808-xxxxSLF	200 Rocard Shield/Box
83808-22101LF	no	yes		
83808-22111LF	yes	yes		



Version: Label recess
(maximum label thickness 0.07 mm)



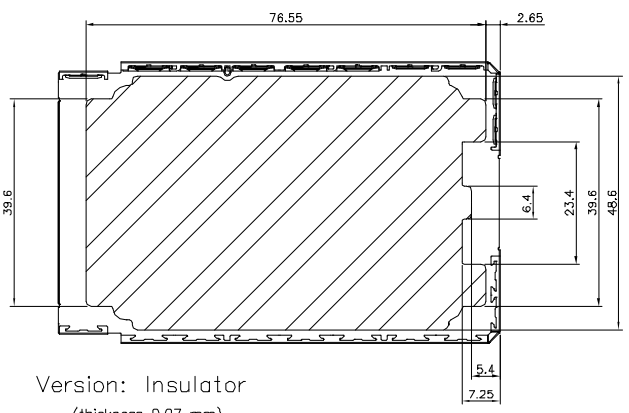
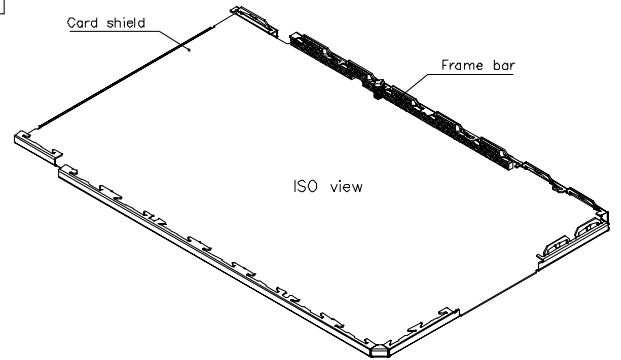
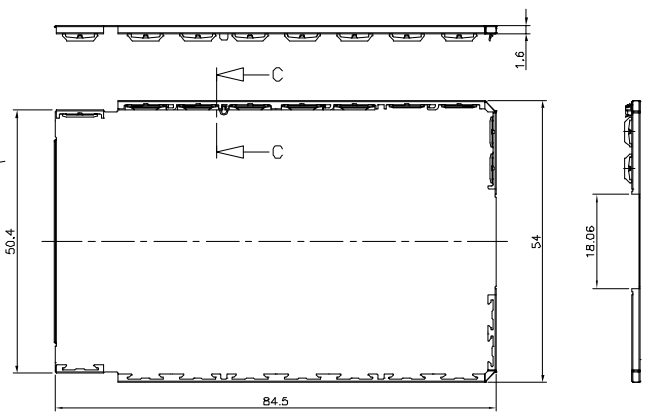
Version: Insulator
(thickness 0.07 mm)

MatL code	surface	tolerance	projection	product family
ltr	ecm	no	dr	date
A	H80049	CCA	98.02.12	
B	F80195	CCA	98.04.08	
C	F80323	DLE	99.05.04	
D	F10514	DLE	01.09.07	dr
E	F05-0254	DLE	02.09.26	enat
F	F05-0158	DLE	06.02.27	kn
G	F05-0248	DLE	04.07.28	rippe
sheet index	revision	sheet		

ROCARD SHIELD
TYPE 11,2x1,0,CARDBUS
83808
CUSTOMER Drawing

Product number	Insulator	Product number	Packaging
83808-11000LF	no	83808-xxxxLF	1000 Rocard Shield/Box
83808-11010LF	yes	83808-xxxxSLF	200 Rocard Shield/Box

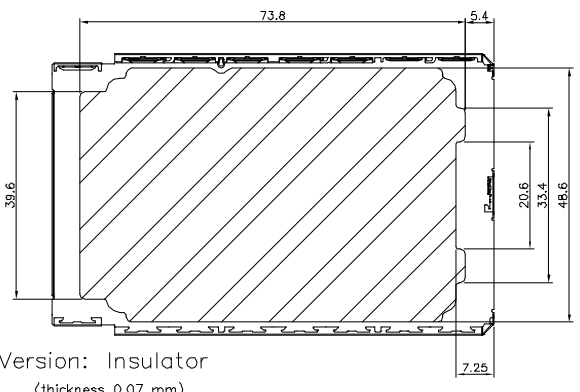
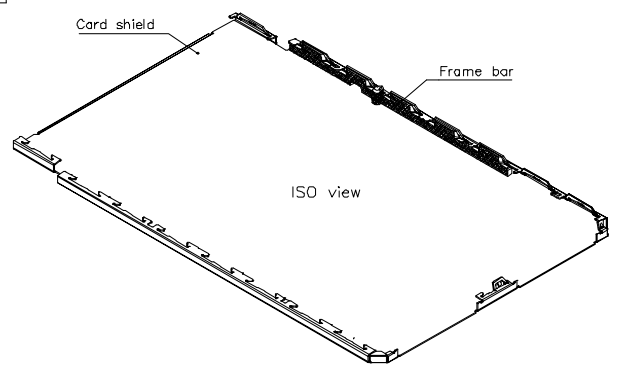
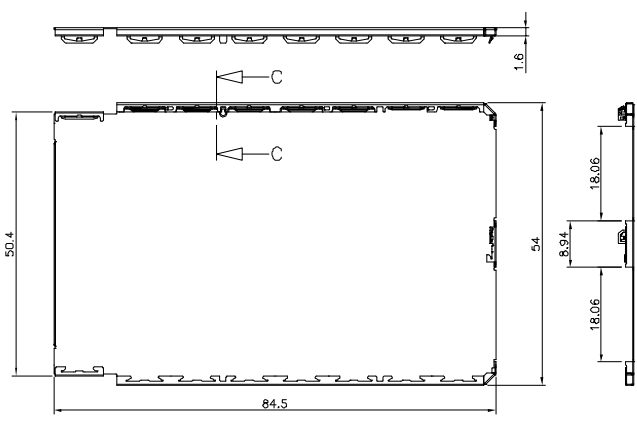
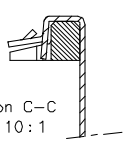
Section C-C
Scale 10:1



Version: Insulator
(thickness 0.07 mm)

MatL code	surface	tolerance	projection	product family
ltr	iso 1802	iso 46	1st angle	PCMCIA
ecm no	date	tolerance unless otherwise specified	mm	title
A F80195	06.04.08		scale 2:1	ROCARD SHIELD
B F90203	01.09.04	Linear		TYPE 1, 1x1/0
C F10914	01.09.07			dwg no
D F05-024	06.09.26	dr	H VEREUKEN	06.02.12
E F08-0136	06.02.27	enat	F HAUTER	09.05.04
F F08-0248	06.07.28	enr	D LESTRANO	09.05.04
sheet	revision	tippe	F HAUTER	09.05.04
index	sheet			

Product number	Insulator	Product number	Packaging
83808-12000LF	no	83808-xxxxLF	1000 Rocard Shield/Box
83808-12010LF	yes	83808-xxxxLFS	200 Rocard Shield/Box

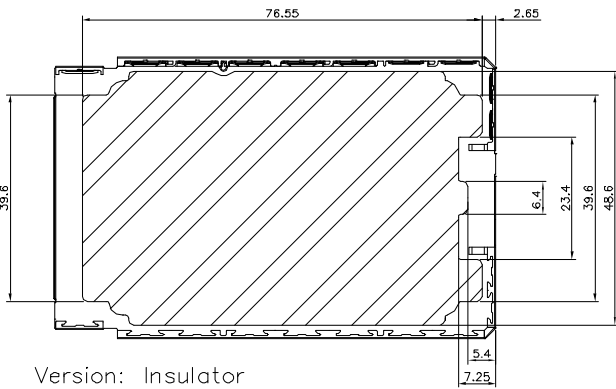
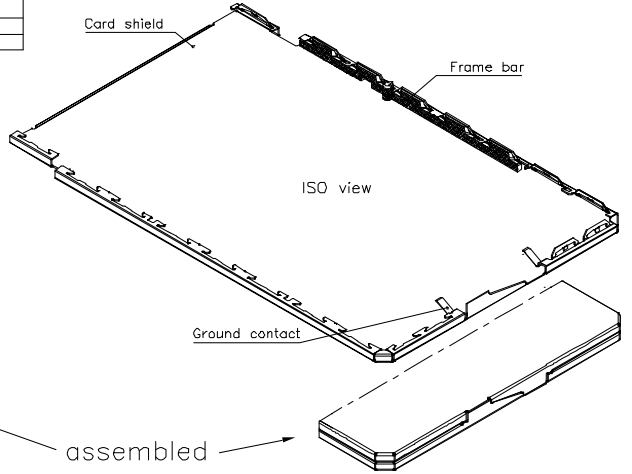
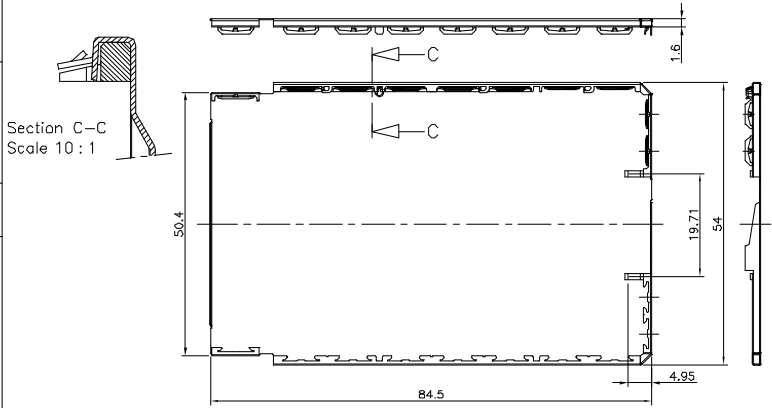


Version: Insulator
(thickness 0.07 mm)

MatL code	surface	tolerance	projection	product family
litr	iso 1802	iso 446	iso 10	PCMCIA
ecm no	date	tolerance unless otherwise specified	angle	title
A F80195	06.04.08			ROCARD SHIELD
B F90233	01.09.04	Linear	mm	TYPE 1, 2x1/0
C F10914	01.09.07		scale 2:1	
D F05-024	06.09.26	dr		dwg no
E F08-0136	06.02.27	enat		83808
F F08-0248	06.07.28	enr		sheet 8 of - size
		rippe		Az
sheet	revision	type		CUSTOMER Drawing
index	sheet			

Product number	Insulator
83808-1000LF	no
83808-10010LF	yes

Product number	Packaging
83808-xxxxLF	1000 Rocard Shield/Box
83808-xxxxSLF	200 Rocard Shield/Box



Version: Insulator
(thickness 0.07 mm)

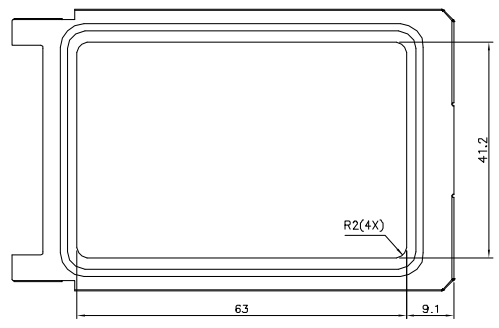
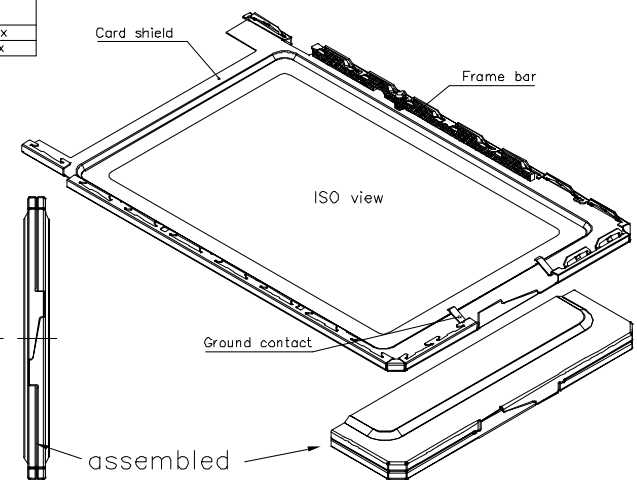
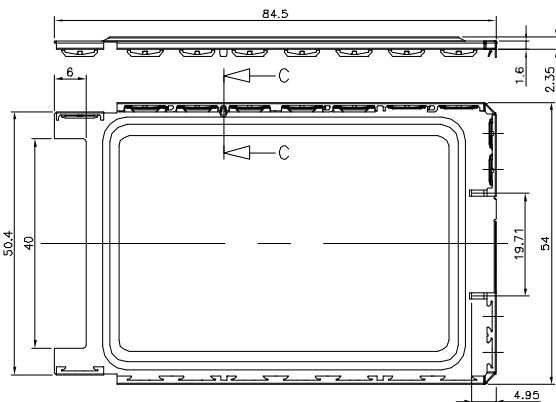
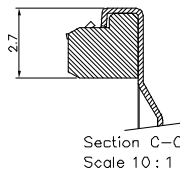
matl code	surface	tolerance	projection	product family
	ISO 1802	ISO 46	ISO 10	PCMCIA
lfr	ecm	no	dr	date
A	F80195	OCA	88.04.08	
B	F90233	DLE	99.08.04	
C	F10914	DLE	01.09.07	
D	F05-024	DLE	06.09.26	dr
E	F08-0136	DLE	06.09.27	enq
F	F08-0248	DLE	06.07.28	chr
sheet	revision			
index	sheet			

title
ROCARD SHIELD
TYPE I, CLOSED END

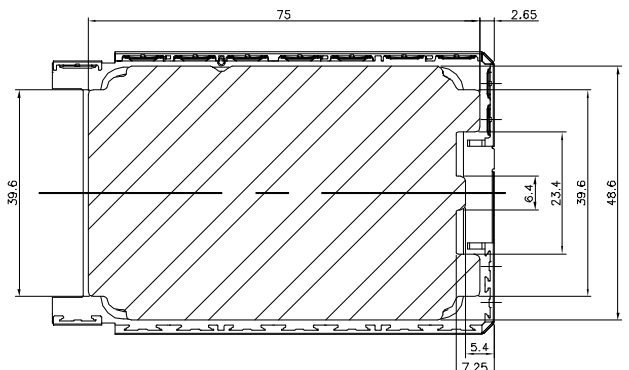
dwg no 83808 sheet 9 of - size Az

type CUSTOMER Drawing

Product number	Insulator	Label recess	Product number	Packaging
83808-20001LF	no	no	83808-xxxxLF	1000 Rocard Shield/Box
83808-20011LF	yes	no	83808-xxxxSLF	200 Rocard Shield/Box
83808-20101LF	no	yes		
83808-20111LF	yes	yes		



Version: Label recess
(maximum label thickness 0.07 mm)



Version: Insulator
(thickness 0.07 mm)

MatL code	surface	tolerance	projection	product family
litr	ecm	no	dr	date
A	FP0655	04E	88.10.25	
B	FP0709	04E	00.01.19	
C	F10514	04E	01.09.07	
D	F05-0254	04E	06.09.26	Dr D LEGRAND 88.10.25
E	F08-0136	04E	06.02.27	Eng F. HAUTIER 88.10.25
F	F08-0248	04E	06.07.28	Exp M. SCHUCHNER 88.10.25
				Exp F. HAUTIER 88.10.25
sheet	revision			
index	sheet			

mm
scale 2:1
product family PCMCIA
Title ROCARD SHIELD TYPE II, CLOSED, CARBUS
dwg no 83808 sheet 10 of - size Az
type CUSTOMER Drawing