

DOUBLE-DECK ASSEMBLY WITH THREADED INSERTS (HEADER) AND CAPTIVE HEX NUTS (MECHANISM)
 DESCRIPTION: ABOVE & BELOW PCB, DECK AND PUSH ROD LOCATION ARE AS VIEW BY USER.

PRODUCT NO. 95635-XXXXX	PUSH-ROD DECK CLOSEST TO PCB	LOCATION DECK FARTHEST FROM PCB	STAND-OFF HEIGHT DIM "L"	DIM "P"	(A) DOUBLE - DECK HEADER 92821-XXX	(B) CLOSEST TO PCB EJECT MECHANISM 88644-XXXX	(C) FARTHEST FROM PCB EJECT MECHANISM 94307-XXXX	MOUNTING STYLE TO PCB AND PUSH-ROD SIDE
000CA	LEFT	RIGHT	0.0	2.8	92821-000	10CA	00CA	
020CA	LEFT	RIGHT	2.0	2.5	92821-040	12CA	00CA	
050CA	LEFT	RIGHT	5.0	2.8	57956-050	15CA	00CA	
100CA	RIGHT	LEFT	0.0	2.8	92821-000	00CA	10CA	
120CA	RIGHT	LEFT	2.0	2.5	92821-040	02CA	10CA	
150CA	RIGHT	LEFT	5.0	2.8	57956-050	05CA	10CA	
200CA	RIGHT	RIGHT	0.0	2.8	92821-000	00CA	00CA	
220CA	RIGHT	RIGHT	2.0	2.5	92821-040	02CA	00CA	
250CA	RIGHT	RIGHT	5.0	2.8	57956-050	05CA	00CA	
300CA	LEFT	LEFT	0.0	2.8	92821-000	10CA	10CA	
320CA	LEFT	LEFT	2.0	2.5	92821-040	12CA	10CA	
350CA	LEFT	LEFT	5.0	2.8	57956-050	15CA	10CA	
000CALF	LEFT	RIGHT	0.0	2.8	92821-000LF	10CA	00CA	
020CALF	LEFT	RIGHT	2.0	2.5	92821-040LF	12CA	00CA	
050CALF	LEFT	RIGHT	5.0	2.8	57956-050LF	15CA	00CA	
100CALF	RIGHT	LEFT	0.0	2.8	92821-000LF	00CA	10CA	
120CALF	RIGHT	LEFT	2.0	2.5	92821-040LF	02CA	10CA	
150CALF	RIGHT	LEFT	5.0	2.8	57956-050LF	05CA	10CA	
200CALF	RIGHT	RIGHT	0.0	2.8	92821-000LF	00CA	00CA	
220CALF	RIGHT	RIGHT	2.0	2.5	92821-040LF	02CA	00CA	
250CALF	RIGHT	RIGHT	5.0	2.8	57956-050LF	05CA	00CA	
300CALF	LEFT	LEFT	0.0	2.8	92821-000LF	10CA	10CA	
320CALF	LEFT	LEFT	2.0	2.5	92821-040LF	12CA	10CA	
350CALF	LEFT	LEFT	5.0	2.8	57956-050LF	15CA	10CA	

Tous droits strictement reserves. Reproduction ou communication a des tiers interdite sous quelque forme que ce soit sans autorisation ecrite du propriétaire. Propriete de c FCI. Droits de reproduction FCI.

All rights strictly reserved. Reproduction or issue to third parties in any form whatever is not permitted without written authority from the proprietor. Property of FCI. Copyright FCI.

mat'l. code		tolerances unless otherwise specified		CUSTOMER COPY		Electronics FCI www.fciconnect.com	
ltr	ecn no	dr	date	linear	projection	title	
D	V61383	RDS	9/16/96			DOUBLE-DECK HEADER EJECT ASSY	
E	V11670	RGD	6/6/01			product family	MCS
F	V20419	LP	3/25/02	angles	MM	size	dwg no
G	N05-0052	WB	02/25/05	dr	D.SHEAFFER	9/16/96	scale
H	N05-0077	WB	03/17/05	enrg	D.BRANN	9/16/96	1:1
				chr	D.BRANN	9/16/96	A4
				appd	D.BRANN	9/16/96	95635
sheet	revision	H	H	G	G		
index	sheet	1	2	3	4		1 of 4

DOUBLE-DECK ASSEMBLY WITH THREADED INSERTS (HEADER) AND CAPTIVE HEX NUTS (MECHANISM)
 DESCRIPTION: ABOVE & BELOW PCB, DECK AND PUSH ROD LOCATION ARE AS VIEW BY USER.

PRODUCT NO. 95635-XXXX	PUSH-ROD LOCATION		STAND-OFF HEIGHT DIM "L"	DIM "P"	DOUBLE DECK HEADER 92821-XXX	B CLOSEST TO PCB EJECT MECHANISM 88644-XXXX	C FARTHEST FROM PCB EJECT MECHANISM 94307-XXXX	MOUNTING STYLE TO PCB AND PUSH-ROD SIDE
	DECK CLOSEST TO PCB	DECK FARTHEST FROM PCB						
500CA	RIGHT	LEFT	0.0	2.8	92821-500	10CA	00CA	
520CA	RIGHT	LEFT	2.0	2.5	92821-540	12CA	00CA	
550CA	RIGHT	LEFT	5.0	2.8	57956-550	15CA	00CA	
600CA	LEFT	RIGHT	0.0	2.8	92821-500	00CA	10CA	
620CA	LEFT	RIGHT	2.0	2.5	92821-540	02CA	10CA	
650CA	LEFT	RIGHT	5.0	2.8	57956-550	05CA	10CA	
700CA	RIGHT	RIGHT	0.0	2.8	92821-500	10CA	10CA	
700CP	RIGHT	RIGHT	0.0	2.8	92821-500	10CP	10CP	
720CA	RIGHT	RIGHT	2.0	2.5	92821-540	12CA	10CA	
750CA	RIGHT	RIGHT	5.0	2.8	57956-550	15CA	10CA	
800CA	LEFT	LEFT	0.0	2.8	92821-500	00CA	00CA	
820CA	LEFT	LEFT	2.0	2.5	92821-540	02CA	00CA	
850CA	LEFT	LEFT	5.0	2.8	57956-550	05CA	00CA	
500CALF	RIGHT	LEFT	0.0	2.8	92821-500LF	10CA	00CA	
520CALF	RIGHT	LEFT	2.0	2.5	92821-540LF	12CA	00CA	
550CALF	RIGHT	LEFT	5.0	2.8	57956-550LF	15CA	00CA	
600CALF	LEFT	RIGHT	0.0	2.8	92821-500LF	00CA	10CA	
620CALF	LEFT	RIGHT	2.0	2.5	92821-540LF	02CA	10CA	
650CALF	LEFT	RIGHT	5.0	2.8	57956-550LF	05CA	10CA	
700CALF	RIGHT	RIGHT	0.0	2.8	92821-500LF	10CA	10CA	
700CPLF	RIGHT	RIGHT	0.0	2.8	92821-500LF	10CP	10CP	
720CALF	RIGHT	RIGHT	2.0	2.5	92821-540LF	12CA	10CA	
750CALF	RIGHT	RIGHT	5.0	2.8	57956-550LF	15CA	10CA	
800CALF	LEFT	LEFT	0.0	2.8	92821-500LF	00CA	00CA	
820CALF	LEFT	LEFT	2.0	2.5	92821-540LF	02CA	00CA	
850CALF	LEFT	LEFT	5.0	2.8	57956-550LF	05CA	00CA	

NOTES (CONTINUOUS ON SHEET 3):
 1 EJECT FORCE 3.5kg MAX.
 2 EJECT TRAVEL - 8.0mm
 3 HEADER ASSY
 PLASTIC: HOUSING - LCP UL94V-0 BLACK (ABOVE P.C.B.)
 LOCATOR - LCP UL94V-0 NATURAL (BELOW P.C.B.)
 PIN: PHOSPHOR BRONZE
 EJECT MECHANISM ASSY
 PLASTIC: GUIDE & PUSH ROD
 POLYTHARAMIDE UL94V-0 BLACK
 COVER PLATE: STAINLESS STEEL
 EMI CONTACT: PHOSPHOR BRONZE
 4 FINISH - PIN
 UNDER PLATING: 0.5µm MIN. Ni
 CONTACT AREA: 0.1µm MIN GOLD OVER
 0.5µm MIN Pd-Ni
 SOLDER TAIL(TIN LEAD OPTION): 2.5µm MIN Sn-Pb
 SOLDER TAIL(LEAD FREE OPTION): 2.5µm MIN PURE TIN

mat'l. code		tolerances unless otherwise specified		CUSTOMER COPY		Electronics FCI www.fciconnect.com	
ltr	ecn no	dr	date	linear	.X±.3	projection	title
g				angles	.XX±.13		DOUBLE-DECK HEADER EJECT ASSY
				dr	.XXX±.051		product family
				enrg	0' ±2'	MM	code
				chr	D.SHEAFFER 9/16/96	scale	size
				appd	D.BRANN 9/16/96	1:1	dwg no
sheet	revision						95635
index	sheet						2 of
							sheet
							2 of

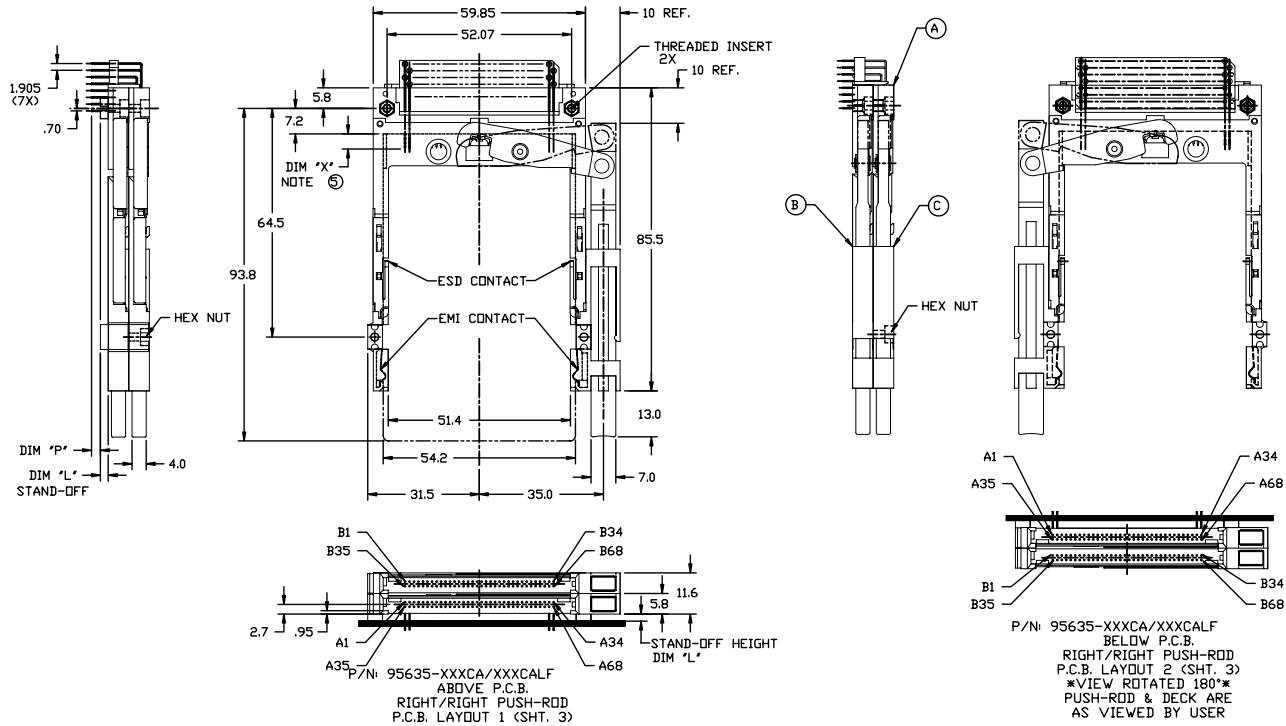
Tous droits strictement reserves. Reproduction ou communication a des tiers interdite sous quelque forme que ce soit sans autorisation ecrite du proprietaire. Propriete de c FCI. Droits de reproduction FCI.

All rights strictly reserved. Reproduction or issue to third parties in any form whatever is not permitted without written authority from the proprietor. Property of FCI. Copyright FCI.

Tous droits strictement réservés. Reproduction ou communication à des tiers
interdite sous quelque forme que ce soit sans autorisation écrite du propriétaire.
Propriété de FCI. Droits de reproduction FCI.

All rights strictly reserved. Reproduction or issue to third parties in any
form whatever is not permitted without written authority from the proprietor.
Property of FCI. Copyright FCI.

PRODUCT NO.
95635-XXXX/XXXXLF



NOTES (CONTINUOUS FROM SHEET 2):

① DIM "X"	4.25±.1	3.5±.1	5.0±.1
	OTHERS	36.67	1,17,34,35,51,68

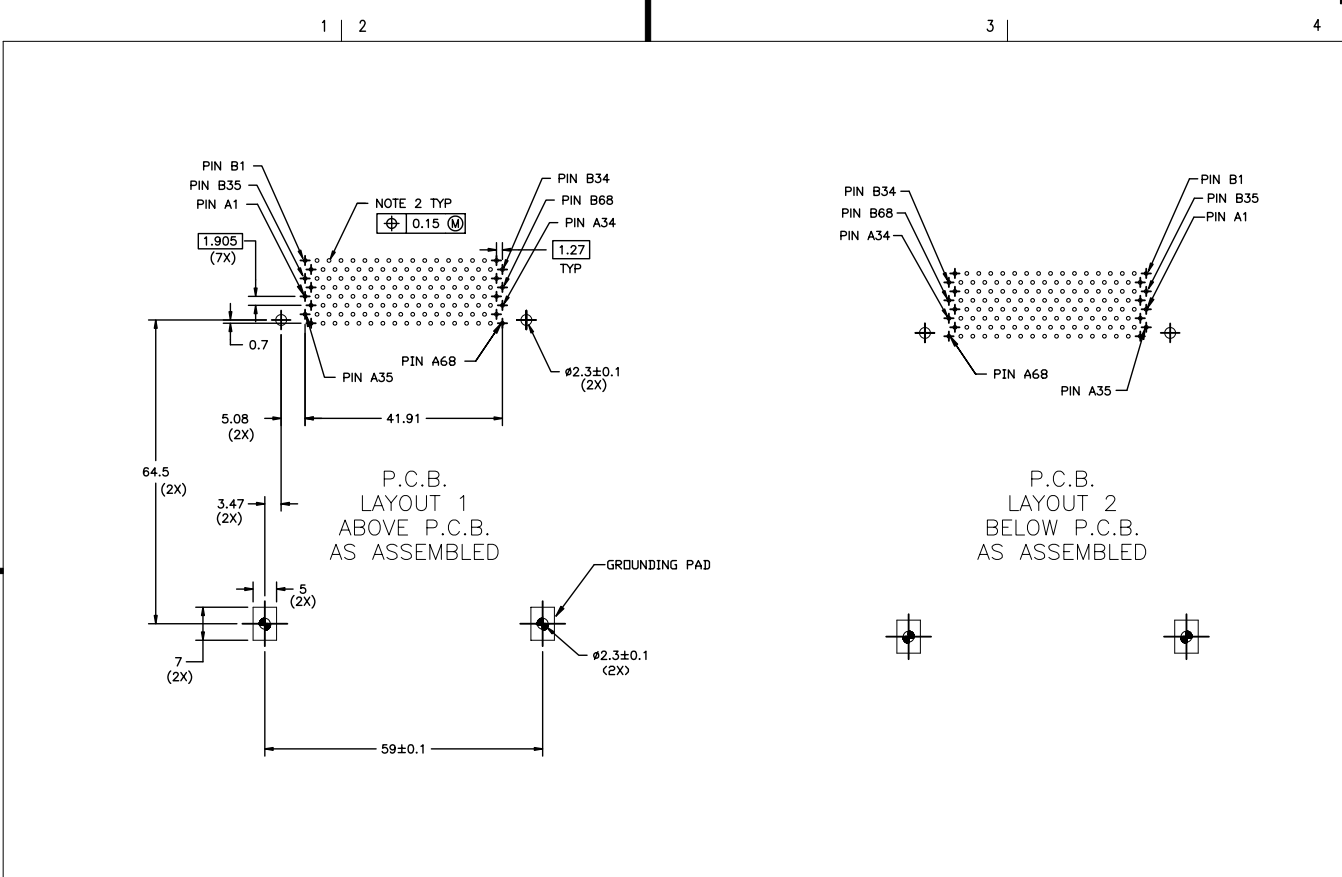
- RECOMMENDED HOLD DOWN - 2mm SCREWS (95121)
RECOMMENDED SCREW TORQUE: 1.0 TO 1.5 MAX in-lbs. (1.2-1.7 cm-kgs)
- IF LEAD FREE P/N, THE HOUSING WILL WITHSTAND EXPOSURE TO 260°C PEAK TEMPERATURE FOR 10 SECONDS IN A WAVE SOLDER APPLICATION WITH A 1.00MM MINIMUM THICK CIRCUIT BOARD.
- LEAD FREE PRODUCT MEETS EUROPEAN UNION DIRECTIVES AND OTHER COUNTRY REGULATIONS AS DESCRIBED IN GS-22-008
- IF LEAD FREE P/N, PACKAGING MEETS GS-14-920 SPECIFICATION

mat'l. code		tolerances unless otherwise specified		CUSTOMER COPY	Electronics FCI www.fciconnect.com	
ltr	ecn no	dr	date	linear	projection	title
				linear	MM	DOUBLE-DECK HEADER EJECT ASSY
				angles	scale	product family
		dr	D.SHEAFFER 9/16/96	dr	1:1	MCS
		enrg	D.BRANN 9/16/96	enrg		size
		chr	D.BRANN 9/16/96	chr		dwg no
		appd	D.BRANN 9/16/96	appd		95635
sheet index	revision sheet					sheet 3 of

ACAD PDM: Rev:H STATUS: Released 2.6 Printed: Oct 12, 2014

Tous droits strictement réservés. Reproduction ou communication a des tiers
interdite sous quelque forme que ce soit sans autorisation écrite du propriétaire.
Propriété de c FCI. Droits de reproduction FCI.

All rights strictly reserved. Reproduction or issue to third parties in any
form whatever is not permitted without written authority from the proprietor.
Property of FCI. Copyright FCI.



- NOTES:
1. ALL TOLERANCES ± 0.15 UNLESS NOTED.
 2. RECOMMENDED DIAMETER IS $\phi 1.0$ FOR PROCESSES USING PASTE REFLOW. HOLE MAY BE AS SMALL AS $\phi 0.79$
 3. BOARD VIEW FROM CONNECTOR MOUNTED SIDE TOP OF BOARD IN APPLICATION

mat'l. code		tolerances unless otherwise specified		CUSTOMER COPY		 www.fciconnect.com	
ltr	ecn no	dr	date	linear	.X±.3	projection	title
G					.XX±.13	 MM	DOUBLE-DECK HEADER EJECT ASSY
				angles	.XXX±.051		product family
				dr	L.POTTEIGER 3/25/02	size	dwg no
				enrg	D.BRANN 3/25/02	scale	A4 95635
				chr	D.BRANN 3/25/02	1:1	sheet
				appd	D.BRANN 3/25/02		4 of
sheet index	revision sheet						cage code
							26

ACAD

PDM: Rev:H

STATUS: Released 2.6 Printed: Oct 12, 2014