

DESCRIPTION: ABOVE PCB, DECK AND PUSH ROD LOCATION ARE AS VIEW BY USER.

PRODUCT NO. 71299-XXXX	PUSH-ROD LOCATION	STAND-OFF HEIGHT	Ⓐ HEADER ASSY 71249-XXXX OR 61519-XXXX	Ⓑ MECHANISM ASSY 72336-XXXX	Ⓒ MATING RECEPTACLE	MOUNTING STYLE TO PCB AND PUSH-ROD SIDE
000CALF	RIGHT	0.0	0000MLF	72336-000CA	100 POSITION (2X50) 0.8mm RECEPTACLE PART NO. 73277-101000 OR 73277-101402LF PURCHASE SEPARATELY	
020CALF	RIGHT	2.2	0022MLF	72336-022CA		
040CALF	RIGHT	4.3	0043MLF	72336-043CA		
050CALF	RIGHT	5.0	0050MLF	72336-050CA		
050FALF ②	RIGHT	5.0	0050MLF	72336-050FA		
100CALF	LEFT	0.0	0000MLF	72336-100CA		
120CALF	LEFT	2.2	0022MLF	72336-122CA		
140CALF	LEFT	4.3	0043MLF	72336-143CA		
150CALF	LEFT	5.0	0050MLF	72336-150CA		
151CALF	LEFT	5.0	0050MLF	52219-150HAM		
005CALF	RIGHT	0.0	0500MLF	72336-000CA		
025CALF	RIGHT	0.0	0522MLF	72336-000CA		
045CALF	RIGHT	0.0	0543MLF	72336-000CA		
055CALF	RIGHT	0.0	0550MLF	72336-000CA		
105CALF	LEFT	0.0	0500MLF	72336-100CA		
125CALF	LEFT	0.0	0522MLF	72336-100CA		
145CALF	LEFT	0.0	0543MLF	72336-100CA		
155CALF	LEFT	0.0	0550MLF	72336-100CA		
156CALF	LEFT	0.0	0550MLF	52219-100HAM		

ORDERING INFORMATION

ORDER:

- EJECT HEADER ASSY (71299-XXXX/XXXXLF)
- MATING RECEPTACLE (73277-101000/101402LF)

NOTE:

- SEE 71240 FOR DOUBLE-DECK APPLICATIONS.
- PUSH BUTTON LENGTH IS 21mm FOR 71299-050FA & 71299-050FALF(LEAD-FREE TYPE)

mat'l. code	surface ISO 1302	tolerance ISO 406 ISO 101	projection 101	product family
lfr	ecr	no	dr	date
R				
tolerances unless otherwise specified				title
angles	linear	.X±.3	MM	CARBUS SINGLE DECK
±2"		.XX±.13	scale:1	ASSY SMT TYPE 123
dr	R.GRAPE	7/3/96		dwg no
enr	D.BRANN	7/3/96		71299
chr	D.BRANN	7/3/96		sheet 2 of 11 size
ppd	D.BRANN	7/3/96		A4
sheet index	revision sheet			type CUSTOMER Drawing

PDM: Rev:R

STATUS: Released

Printed: Oct 12, 2010

FCI CONFIDENTIAL

FCI

This document is the property of and includes CONFIDENTIAL and PROPRIETARY information of FCI. No part of the information herein on this document may be used in any way or disclosed to others without the written consent of FCI. Copyright FCI.

form: A3

FCI CONFIDENTIAL

FCI

This document is the property of and includes CONFIDENTIAL and PROPRIETARY information of FCI. No part of the information herein may be used in any way or disclosed to others without the written consent of FCI. Copyright © FCI

form: A3

DESCRIPTION: BELOW PCB, DECK AND PUSH ROD LOCATION ARE AS VIEWED BY USER

PRODUCT NO. 71299-XXXX	PUSH-ROD LOCATION	STAND-OFF HEIGHT	(A) HEADER ASSY 71249-XXXX	(B) MECHANISM ASSY 72337-XXXX	(C) MATING RECEPTACLE	MOUNTING STYLE TO PCB AND PUSH-ROD SIDE
520CA	RIGHT	2.2	5022	72337-122CA	100 POSITION (2X50) 0.8mm RECEPTACLE PART NO. 73277-101000 73277-101402LF	
540CA	RIGHT	4.3	5043	72337-143CA		
550CA	RIGHT	5.0	5050	72337-150CA		
520CALF	RIGHT	2.2	5022LF	72337-122CA		
540CALF	RIGHT	4.3	5043LF	72337-143CA		
550CALF	RIGHT	5.0	5050LF	72337-150CA		
620CA	LEFT	2.2	5022	72337-022CA		
640CA	LEFT	4.3	5043	72337-043CA		
650CA	LEFT	5.0	5050	72337-050CA		
620CALF	LEFT	2.2	5022LF	72337-022CA		
640CALF	LEFT	4.3	5043LF	72337-043CA		
650CALF	LEFT	5.0	5050LF	72337-050CA		
525CA	RIGHT	0.0	5522	72337-100CA		
545CA	RIGHT	0.0	5543	72337-100CA		
555CA	RIGHT	0.0	5550	72337-100CA		
① 555DA	RIGHT	0.0	5550	72337-100DA		
525CALF	RIGHT	0.0	5522LF	72337-100CA		
545CALF	RIGHT	0.0	5543LF	72337-100CA		
555CALF	RIGHT	0.0	5550LF	72337-100CA		
① 555DALF	RIGHT	0.0	5550LF	72337-100DA		
625CA	LEFT	0.0	5522	72337-000CA		
645CA	LEFT	0.0	5543	72337-000CA		
655CA	LEFT	0.0	5550	72337-000CA		
625CALF	LEFT	0.0	5522LF	72337-000CA		
645CALF	LEFT	0.0	5543LF	72337-000CA		
655CALF	LEFT	0.0	5550LF	72337-000CA		

ORDERING INFORMATION
 ORDER:
 1. EJECT HEADER ASSY (71299-XXXX/XXXXLF)
 2. MATING RECEPTACLE (73277-101000/101402LF)

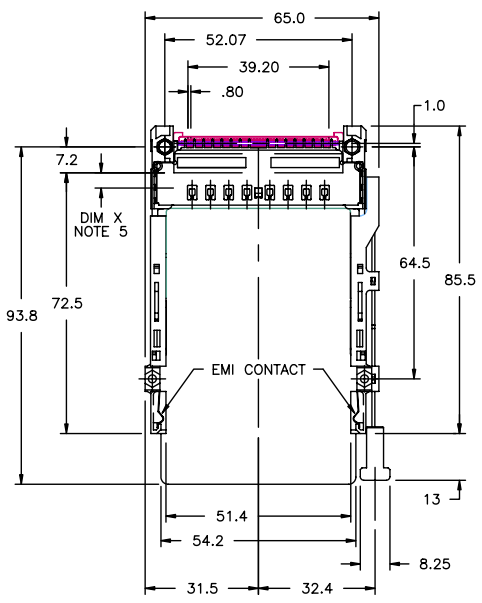
- NOTES:**
- ① 555DA HAS 15.6mm PUSH BUTTON RETURN LENGTH INSTEAD OF 13.0mm.
 - 2. BELOW P.C.B., 0.0mm STAND-OFF IS NOT AVAILABLE.

mat'l. code		surface	tolerance	projection	product family
ISO 1302		ISO 406	ISO 101	MM	CARDBUS SINGLE DECK
ltr	ecn no	dr	date	tolerances unless otherwise specified	title
R				.X±.3	ASSY SMT TYPE 123
				linear .XX±.13	MM
				±2° .XXX±.051	scale:1:1
		dr	R.GRAPE 7/3/96		dwg no
		enr	D.BRANN 7/3/96		71299
		chr	D.BRANN 7/3/96		sheet 3 of 11 size
		ppd	D.BRANN 7/3/96		A4
sheet index	revision sheet				type CUSTOMER Drawing

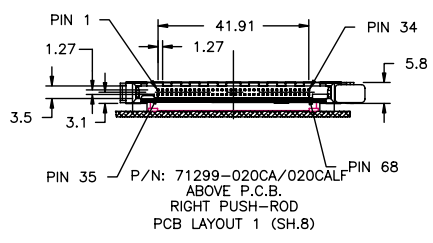
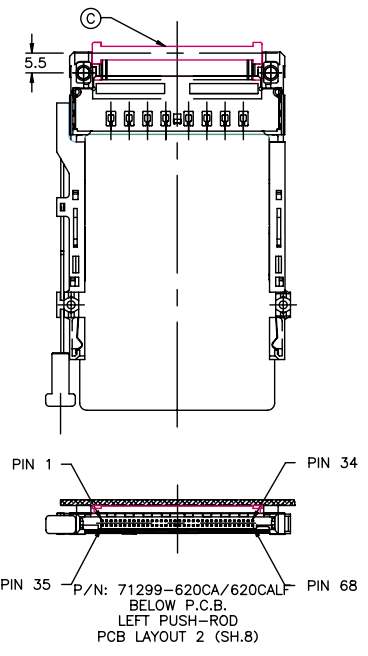
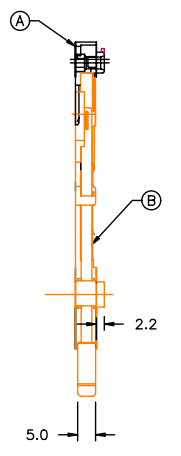
PDM: Rev:R STATUS: Released Printed: Oct 12, 2010 6

FCI CONFIDENTIAL
 FCI
 FCIconnect.com
 This document is the property of and includes CONFIDENTIAL and PROPRIETARY information of FCI. No part of the information shown on this document may be used in any way or disclosed to others without the written consent of FCI.
 Copyright FCI

PRODUCT NUMBER
 71299-*****/****L*F



MATING RECEPTACLE
 SHOWN FOR APPLICATION
 CLARITY ONLY.
 MUST BE PURCHASED
 SEPARATELY



mat'l. code		surface	tolerance	projection	product family
ISO 1302		ISO 406	ISO 101		
ltr	ecn no	dr	date	title	
R				CARDBUS SINGLE DECK ASSY SMT TYPE 123	
angles		linear		MM	
±2°		.XX±.13		scale:1:1	
dr	R.GRAPE	7/3/96		dwg no	
enr	D.BRANN	7/3/96		71299	
chr	D.BRANN	7/3/96		sheet 4 of 11 size A4	
appd	D.BRANN	7/3/96		type CUSTOMER Drawing	
sheet index	revision sheet				

PDM: Rev:R STATUS:Released Printed: Oct 12, 2010 6

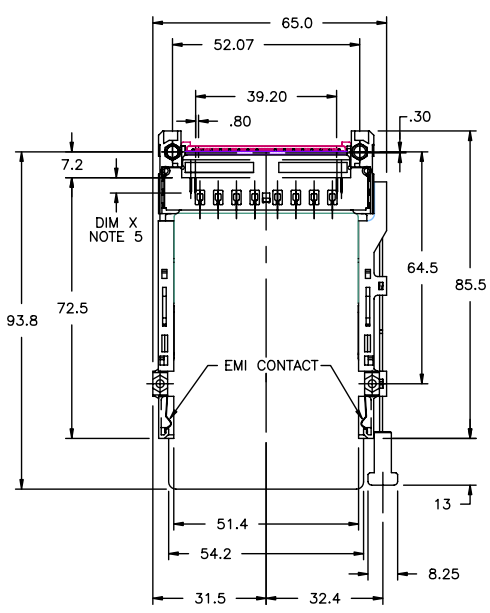
form: A3

FCI CONFIDENTIAL

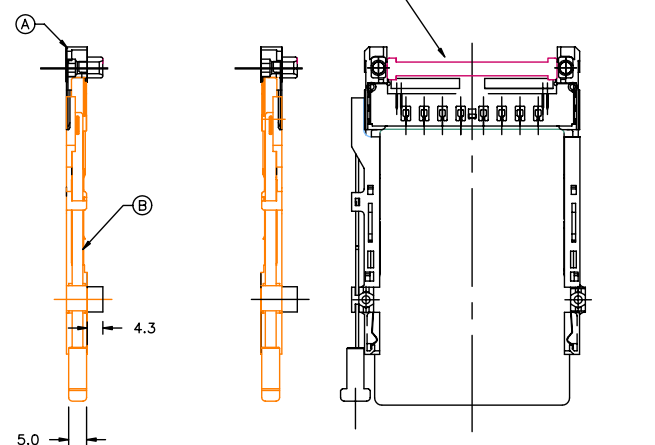


This document is the property of and includes CONFIDENTIAL and PROPRIETARY information of FCI. No part of the information shown on this document may be used in any way or disclosed to others without the written consent of FCI. Copyright © FCI.

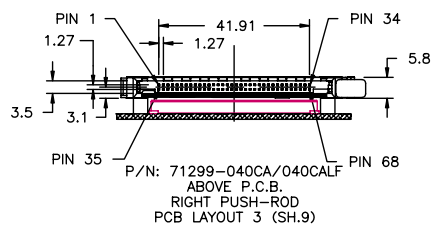
PRODUCT NUMBER
71299-*****/*****LF



MATING RECEPTACLE SHOWN FOR APPLICATION CLARITY ONLY MUST BE PURCHASED SEPARATELY



P/N: 71299-640CA/640CALF
BELOW P.C.B.
LEFT PUSH-ROD
PCB LAYOUT 4 (SH.9)



mat'l. code		surface	tolerance	projection	product family
ISO 1302		ISO 406	ISO 101		
ltr	ecn no	dr	date	title	
R				CARDBUS SINGLE DECK ASSY SMT TYPE 123	
angles		linear	.X±.3	MM	sheet 5 of 11 size
±2°			.XX±.13	scale:1:1	71299 A4
			.XXX±.051		type CUSTOMER Drawing
dr	R.GRAPE	7/3/96			
enr	D.BRANN	7/3/96			
chr	D.BRANN	7/3/96			
appd	D.BRANN	7/3/96			
sheet index	revision sheet				

PDM: Rev:R STATUS Released Printed: Oct 12, 2010 6

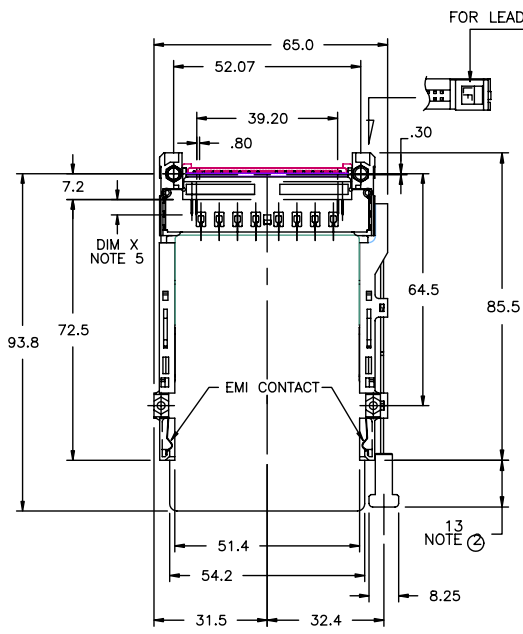
form: A3

FCI CONFIDENTIAL

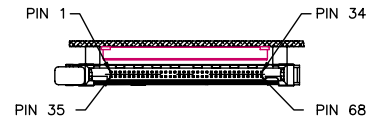
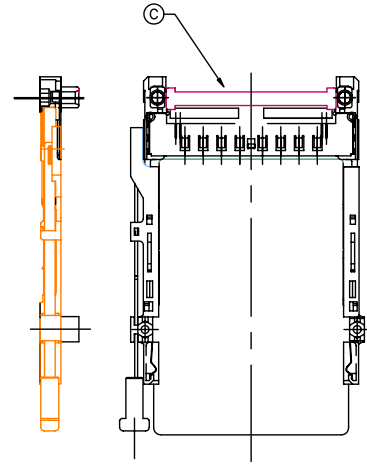
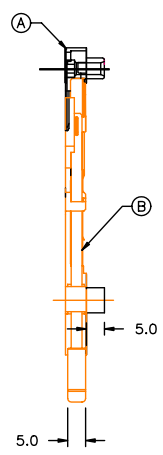


This document is the property of and includes CONFIDENTIAL and PROPRIETARY information of FCI. No part of this information may be used in any way or disclosed to other parties without the written consent of FCI. Copyright © FCI.

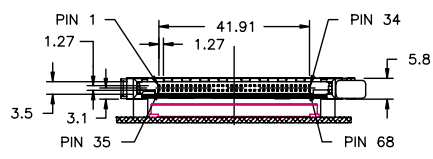
PRODUCT NUMBER
71299-*****/*****LF



FOR LEAD-FREE TYPE ONLY(REF.)
MATING RECEPTACLE SHOWN FOR APPLICATION CLARITY ONLY MUST BE PURCHASED SEPARATELY



P/N: 71299-650CA
BELOW P.C.B.
LEFT PUSH-ROD
PCB LAYOUT 4 (SH.9)



P/N: 71299-050FA/-050FALF
(NOTE 2)
P/N: 71299-050CA/-050CALF
ABOVE P.C.B.
RIGHT PUSH-ROD
PCB LAYOUT 3 (SH.9)

mat'l. code		surface	tolerance	projection	product family
ISO 1302		ISO 406	ISO 101		
ltr	ecr no	dr	date	title	
R				CARDBUS SINGLE DECK ASSY SMT TYPE 123	
angles		linear	.X±.3	MM	
±2°			.XX±.13	scale:1:1	
dr		R.GRAPE	7/3/96	FCI	dwg no
sgr		D.BRANN	7/3/96		71299
chr		D.BRANN	7/3/96		sheet 6 of 11 size
ppd		D.BRANN	7/3/96		A4
sheet index	revision sheet			type	CUSTOMER Drawing

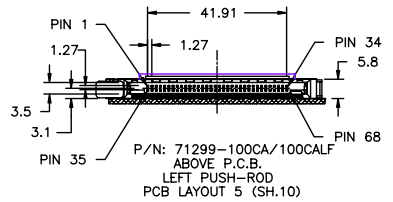
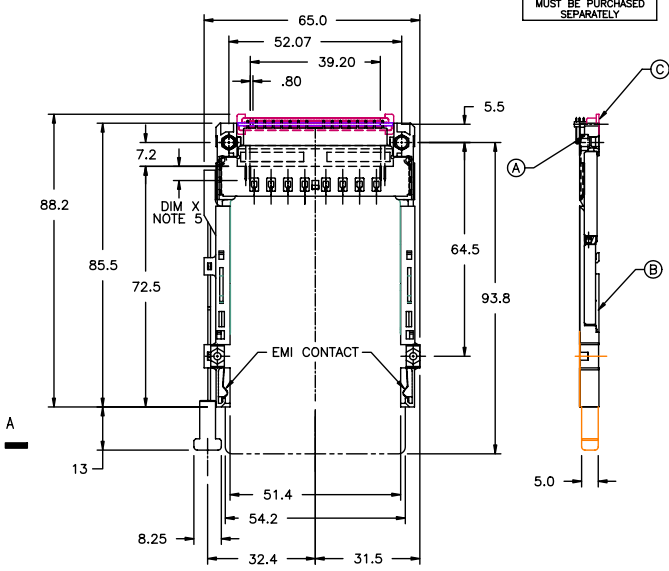
PDM: Rev:R STATUS Released Printed: Oct 12, 2010 6

form: A3

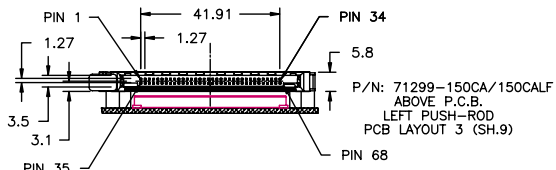
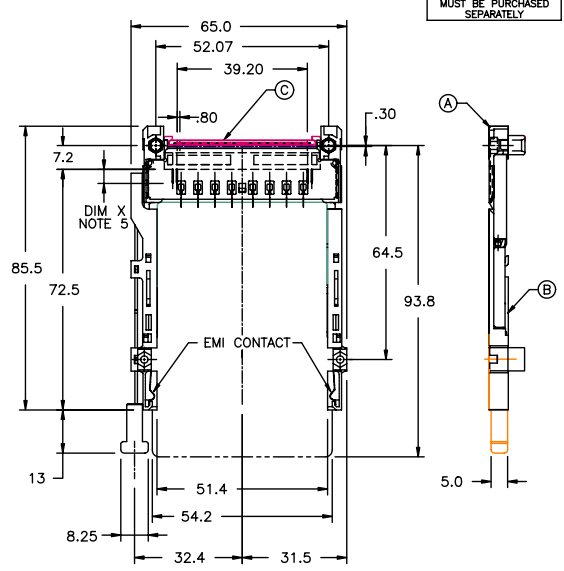
FCI CONFIDENTIAL
 FCI
 FCIconnect.com
 This document is the property of and includes CONFIDENTIAL and PROPRIETARY information of FCI. No part of the information shown on this document may be used in any way or disclosed to others without the written consent of FCI.
 Copyright © FCI

PRODUCT NUMBER
 71299-*****/****LF

MATING RECEPTACLE
 SHOWN FOR APPLICATION
 CLARITY ONLY
 MUST BE PURCHASED
 SEPARATELY



MATING RECEPTACLE
 SHOWN FOR APPLICATION
 CLARITY ONLY
 MUST BE PURCHASED
 SEPARATELY



mat'l. code	surface	tolerance	projection	product family
	ISO 1302	ISO 406	ISO 101	
ltr	ecr	no	dr	date
R				
	angles	linear	.X±.3	tolerances unless otherwise specified
	±2°		.XX±.13	
	dr	R.GRAPE	7/3/96	
	enr	D.BRANN	7/3/96	
	chr	D.BRANN	7/3/96	
	ppd	D.BRANN	7/3/96	
sheet index	revision sheet			

title
CARBUS SINGLE DECK ASSY SMT TYPE 123
 dwg no
71299
 sheet 7 of 11 size A4
 type CUSTOMER Drawing

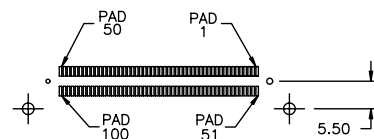
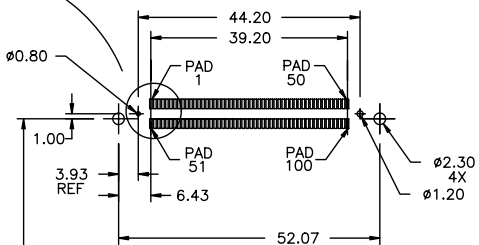
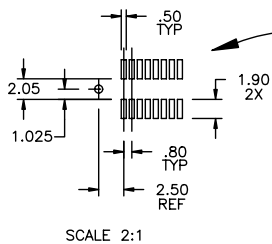
FCI CONFIDENTIAL



FCIconnect.com

This document is the property of and includes CONFIDENTIAL and PROPRIETARY information of FCI. No part of the information herein may be used in any way or disclosed to others without the written consent of FCI. Copyright © FCI.

P.C.B. LAYOUT FOR 2.2mm STANDOFF



P.C.B. LAYOUT 1 ABOVE PCB AS ASSEMBLED

P.C.B. LAYOUT 2 BELOW PCB AS ASSEMBLED

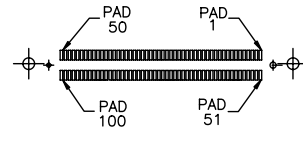
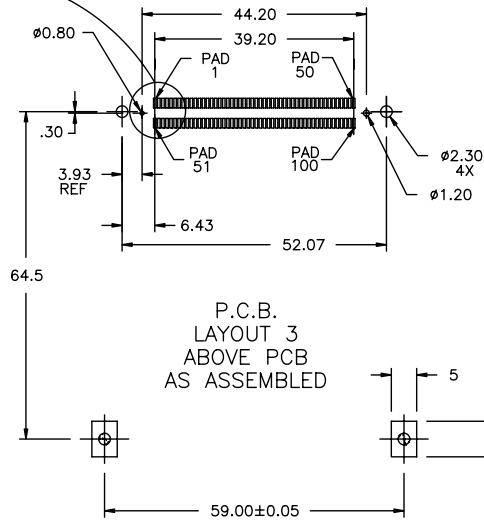
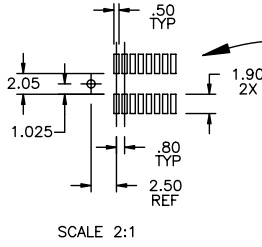
mat'l. code		surface	tolerance	projection	product family
ISO 1302		ISO 406	ISO 101	101	
ltr	ecm no	dr	date	title	
R				CARDBUS SINGLE DECK ASSY SMT TYPE 123	
angles		linear	.X±.3	MM	
±2°			.XX±.13	scale:1:1	
			.XXX±.051		
dr	R.GRAPE	7/3/96			dwg no
enr	D.BRANN	7/3/96			71299
chr	D.BRANN	7/3/96			sheet 8 of 11
appd	D.BRANN	7/3/96			A4
sheet index	revision sheet				type CUSTOMER Drawing

PDM: Rev:R

STATUS Released

Printed: Oct 12, 2010

P.C.B. LAYOUT FOR 4.3 AND 5.0mm STANDOFFS



P.C.B. LAYOUT 3 ABOVE PCB AS ASSEMBLED

P.C.B. LAYOUT 4 BELOW PCB AS ASSEMBLED

mat'l. code		surface	tolerance	projection	product family
ISO 1302		ISO 406	ISO 101	101	
ltr	ecm no	dr	date	title	
R				CARDBUS SINGLE DECK ASSY SMT TYPE 123	
angles		linear	.X±.3	MM	
±2°			.XX±.13	scale:1	
dr		R.GRAPE	7/3/96	dwg no 71299 sheet 9 of 11 size A4	
enr		D.BRANN	7/3/96	type CUSTOMER Drawing	
chr		D.BRANN	7/3/96		
appd		D.BRANN	7/3/96		
sheet index	revision sheet				

PDM: Rev:R

STATUS Released

Printed: Oct 12, 2010 6

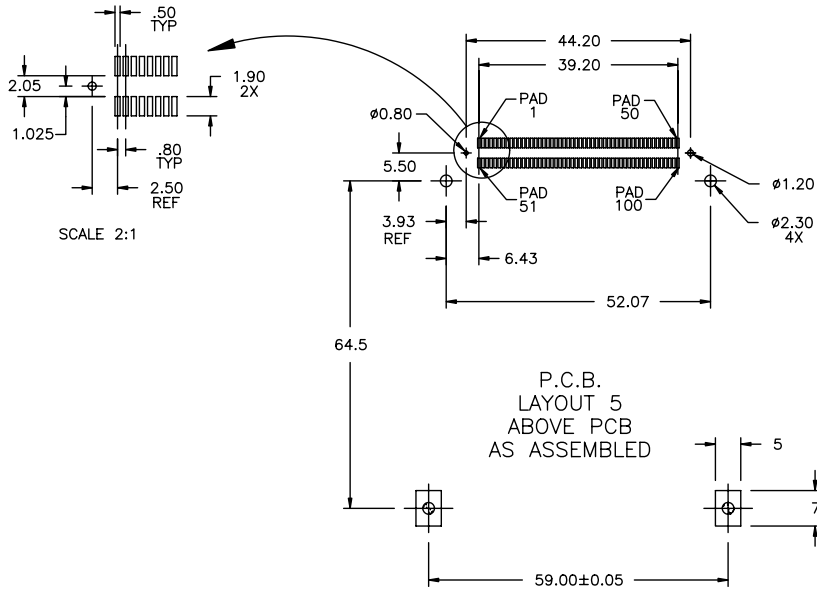
FCI CONFIDENTIAL
 FCI
 FCIconnect.com
 This document is the property of and includes CONFIDENTIAL and PROPRIETARY information of FCI. No part of the information herein may be used in any way or disclosed to others without the written consent of FCI. Copyright FCI.

FCI CONFIDENTIAL

FCI
FCIconnect.com

This document is the property of and includes CONFIDENTIAL and PROPRIETARY information of FCI. No part of the information shown on this document may be used in any way or disclosed to others without the written consent of FCI.
Copyright © FCI

P.C.B. LAYOUT FOR 0mm STANDOFF



P.C.B.
LAYOUT 5
ABOVE PCB
AS ASSEMBLED

mat'l. code		surface	tolerance	projection	product family
ISO 1302		ISO 406	ISO 101	MM	
ltr	ecr no	dr	date	tolerances unless otherwise specified	title
R				.X ± .3 .XX ± .13 .XXX ± .051	CARDBUS SINGLE DECK ASSY SMT TYPE 123
				linear	scale: 1:1
				± 2°	FCI
				dr R.GRAPE 7/3/96	dwg no 71299
				enr D.BRANN 7/3/96	sheet 10 of 11 size A4
				chr D.BRANN 7/3/96	
				appd D.BRANN 7/3/96	type CUSTOMER Drawing
sheet index	revision sheet				

PDM: Rev:R

STATUS Released

Printed: Oct 12, 2010

FCI CONFIDENTIAL

FCI

This document is the property of and includes CONFIDENTIAL and PROPRIETARY information of FCI. No part of the information herein on this document may be used in any way or disclosed to others without the written consent of FCI. Copyright © FCI.

HEADER PINOUT	TYPE	BTB 100 POS RECEPTACLE	HEADER PINOUT	TYPE	BTB 100 POS RECEPTACLE	SHIELD PINOUT	TYPE	BTB 100 POS RECEPTACLE
1	GND	1	35	GND	51	1	GND	4 & 54
2	SIG	2	36	DET	52	2	GND	7 & 57
3	SIG	3	37	SIG	53	3	GND	10 & 60
4	SIG	5	38	SIG	55	4	GND	13 & 63
5	SIG	6	39	SIG	56	5	GND	16 & 66
6	SIG	8	40	SIG	58	6	GND	19 & 69
7	SIG	9	41	SIG	59	7	GND	22 & 72
8	SIG	11	42	SIG	61	8	GND	25 & 75
9	SIG	12	43	SIG	62	9	GND	26 & 76
10	SIG	14	44	SIG	64	10	GND	29 & 79
11	SIG	15	45	SIG	65	11	GND	32 & 82
12	SIG	17	46	SIG	67	12	GND	35 & 85
13	SIG	18	47	SIG	68	13	GND	38 & 88
14	SIG	20	48	SIG	70	14	GND	41 & 91
15	SIG	21	49	SIG	71	15	GND	44 & 94
16	SIG	23	50	SIG	73	16	GND	47 & 97
17	PWR	24	51	PWR	74			
18	SIG	27	52	SIG	77			
19	SIG	28	53	SIG	78			
20	SIG	30	54	SIG	80			
21	SIG	31	55	SIG	81			
22	SIG	33	56	SIG	83			
23	SIG	34	57	SIG	84			
24	SIG	36	58	SIG	86			
25	SIG	37	59	SIG	87			
26	SIG	39	60	SIG	89			
27	SIG	40	61	SIG	90			
28	SIG	42	62	SIG	92			
29	SIG	43	63	SIG	93			
30	SIG	45	64	SIG	95			
31	SIG	46	65	SIG	96			
32	SIG	48	66	SIG	98			
33	SIG	49	67	DET	99			
34	GND	50	68	GND	100			

NOTES:

- 8mm MIN CARD EJECT.
- EJECT TRAVEL: 9.5mm
- MATERIAL:
 - HEADER ASSY:
PLASTIC HOUSING: LCP UL94V-0 BLACK - ABOVE PCB
LCP UL94V-0 BLACK - BELOW PCB
PIN: PHOSPHOR BRONZE
PCB: FR4
 - EJECT MECHANISM ASSY:
PLASTIC GUIDE: POLYPHTHAMID UL94V-0 BLACK
PLASTIC PUSH-ROD BUTTON: POLYPHTHAMID UL94V-0 BLACK
COVER PLATE, LINK ARM,
PUSH ROD: STAINLESS STEEL
EMI CONTACT: PHOSPHOR BRONZE
 - .8 BTB RECEPTACLE: 73277-101000
PLASTIC: LCP 94V-0 BLACK
CONTACT: BeCu
- FINISH (PIN)
UNDER PLATING: 0.5um MIN Ni
CONTACT AREA: 0.1um MIN GOLD OVER
0.5um MIN Pd-Ni
SOLDER TAIL(TIN LEAD OPTION): 2.5umMIN Sn-Pb
SOLDER TAIL(LEAD FREE OPTION): 2.5umMIN PURE TIN
- DIM "X"

4.25±0.1	3.5±0.1	5.0±0.1
OTHERS	36,67	1,17,34,35,51,68
- RECOMMENDED SCREW TORQUE: 1.0 TO 1.5 MAX in-lbs. (1.2-1.7 cm-kgs).
RECOMMENDED HOLD-DOWN 2mm SCREWS (95121) AND HEX NUTS (92869-001).
- GS-14-920 SPEC. SHOULD BE APPLIED LEAD FREE P/N.
- IF LEAD FREE P/N.THE HOUSING WILL WITHSTAND EXPOSURE TO 260°C PEAK TEMPERATURE FOR 10 SECONDS IN A WAVE SOLDER APPLICATION WITH A 1.00MM MINIMUM THICK CIRCUIT BOARD.
- IF LEAD FREE P/N.THE PRODUCT MEETS EUROPEAN UNION DIRECTIVES AND OTHER COUNTRY REGULATIONS AS DISCRIBLED IN GS-22-008

mat'l. code	surface ISO 1302	tolerance ISO 406 ISO 101	projection 101	product family
ltr	ecn no	dr	date	title
R				CARDBUS SINGLE DECK ASSY SMT TYPE 123
	angles	linear	.X±.3 .XX±.13 .XXX±.051	MM scale:1:1
	±2'			
	dr	R.GRAPE	7/3/96	dwg no
	engr	D.BRANN	7/3/96	71299
	chr	D.BRANN	7/3/96	sheet 11 of 11 size A4
	pppd	D.BRANN	7/3/96	type CUSTOMER Drawing
sheet index	revision sheet			

PDM: Rev:R STATUS Released Printed: Oct 12, 2010 6