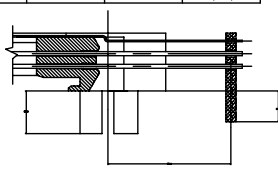


FCI CONFIDENTIAL

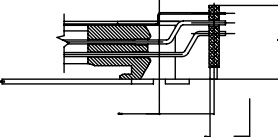
FCI

This document is the property of and contains CONFIDENTIAL and PROPRIETARY information of FCI. No part of this information may be used in any way or disclosed to others without the written consent of FCI. Copyright © FCI.

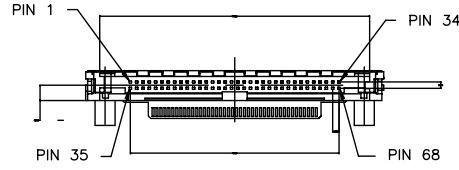
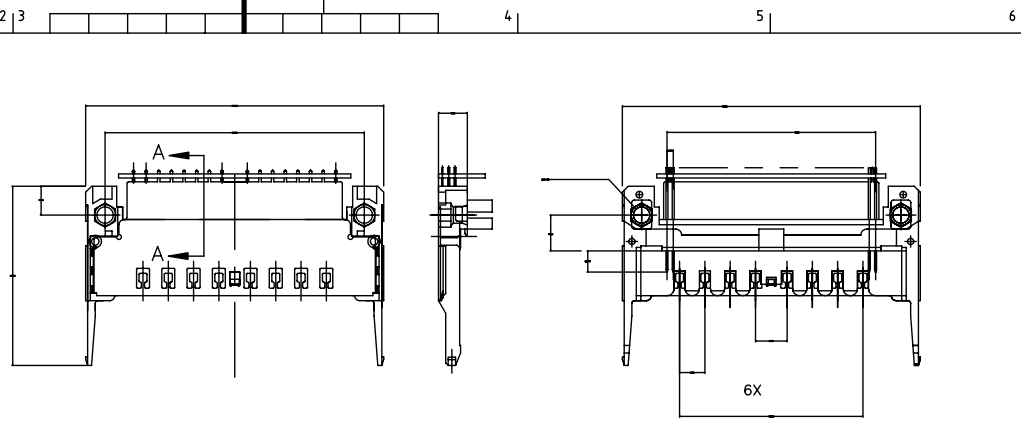
PRODUCT NO.	DIM "X"		
	71249-XXXX/XXXXLF	4.25±0.1	3.5±0.1
OTHERS	36,67	1,17,34,	35,51,68



SECTION A-A  
FOR ALL OTHER VERSIONS  
SCALE 2/1



SECTION A-A  
71249-0000/0000LF/0006/0006LF ONLY!  
SCALE 2/1



- 71249-X XX XX
- LEAD FREE OPTION : LF
  - STAND-OFF 00: 0.0mm
  - 06: 0.6mm
  - 22: 2.2mm
  - 43: 4.3mm
  - 50: 5.0mm
  - DECK POSITION: 0 CLOSEST TO PCB
  - 5 FARTHEST FROM PCB
  - TOP MOUNT: 0
  - BOTTOM MOUNT: 5

NOTES:

- 1 MATERIAL  
HOUSING: LIQUID CRYSTAL POLYMER (LCP) UL94V-0 BLACK  
PIN: PHOSPHOR BRONZE
- 2 FINISH  
UNDER PLATING : 0.5µm MIN. Ni  
CONTACT AREA : 0.5µm MIN. GOLD OVER 0.5µm MIN. Pd-Ni  
SOLDER TAIL(TIN LEAD OPTION) : 2.5µm MIN. Sn-Pb  
SOLDER TAIL(LEAD FREE OPTION) : 2.5µm MIN. PURE TIN
- 3 MATING RECEPTACLE: 73277-101000/101000LF
- 4 SEE TA-1050 FOR P.C.B. LAYOUT.
- 5 RECOMMENDED HOLD DOWN: 2mm SCREWS (G5121) AND HEX NUTS (92869).  
RECOMMENDED SCREW TORQUE: 1.0 TO 1.5 MAX. in-lbs (1.2-1.7 cm-kg).
- 6 IF LEAD FREE P/N, THE PRODUCT MEETS EUROPEAN UNION DIRECTIVES AND OTHER COUNTRY REGULATIONS AS DESCRIBED IN GS-22-008
- 7 LEAD FREE P/N PACKAGING MEETS GS-14-920 SPECIFICATION

71249-0640/0640LF	0	8.6	6.7
71249-0140/0140LF	0	2.8	-0.3
71249-0550/0550LF	0	9.6	6.55
71249-0050/0050LF	5.0	3.8	-0.3
71249-0543/0543LF	0	8.9	6.55
71249-0043/0043LF	4.3	3.1	-0.3
71249-0540/0540LF	0	8.6	6.55
71249-0040/0040LF	4.0	2.8	-0.3
71249-0522/0522LF	0	6.8	7.85
71249-0520/0520LF	0	6.6	7.85
71249-0200/0200LF	0	-1.4	2.8
71249-0028/0028LF	2.8	1.8	1.0
71249-0022/0022LF	2.2	1.0	1.0
71249-0022A/0022ALF	2.2	1.0	1.0
71249-0020/0020LF	2.0	0.8	1.0
71249-0506/0506LF	0	5.2	12.35
71249-0006/0006LF	0.6	-0.6	5.5
71249-0500S/0500SLF	0	4.6	12.35
71249-0000S/0000SLF	0	-1.2	5.5
71249-0500/0500LF	0	4.6	12.35
71249-0000/0000LF	0	-1.2	5.5
PRODUCT NO.	DIM K	DIM L ±0.10	DIM M ±0.10

mat'l. code	surface	tolerance	projection	product family
	ISO 1302	ISO 406 ISO 101	MM	PCMCIA
lfr	ecn no	dr	date	title
L	N05-0116	WB	04/26/05	CARDBUS HEADER ASS'Y W/ VERTICAL BOARD
M	N06-0220	MZ	11/07/06	
G	T10180	WL	07/02/01	dr
H	T04-0273	WL	06/28/04	engr
J	T04-0316	WL	07/12/04	chr
K	N05-0034	WB	02/16/05	pppd
sheet	revision	M	M	
index	sheet	1	2	

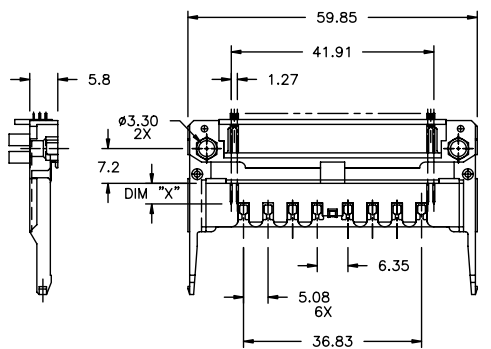
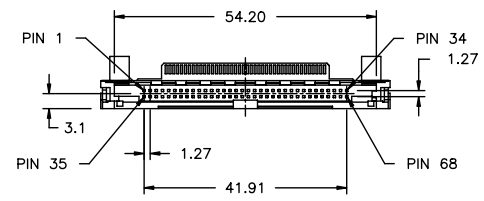
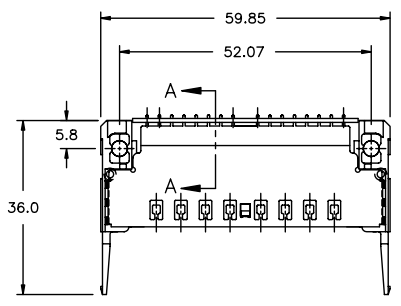
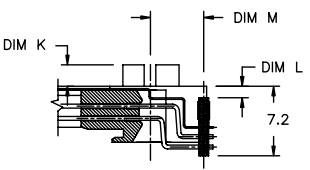
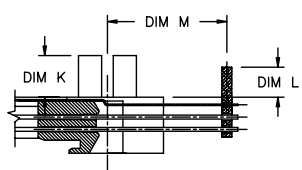


FCI CONFIDENTIAL

FCI

This document is the property of and includes CONFIDENTIAL and PROPRIETARY information of FCI. No part of this information shown on this document may be used in any way or disclosed to others without the written consent of FCI. Copyright © FCI

PRODUCT NO.	DIM "X"		
	4.25±0.1	3.5±0.1	5±0.1
71249-XXXX/XXXXLF	OTHERS	36,67	1,17,34, 35,51,68



71249-X XX LF	LEAD-FREE :LF
STAND-OFF	00: 0.0mm 22: 2.2mm 43: 4.3mm 50: 5.0mm
DECK POSITION:	0 CLOSEST TO PCB 5 FARTHEST FROM PCB
TOP MOUNT:	0
BOTTOM MOUNT:	5

- NOTES:
- MATERIAL HOUSING: LIQUID CRYSTAL POLYMER (LCP) UL94V-0 BLACK PIN: COPPER ALLOY
  - FINISH UNDER PLATING : 0.5µm MIN. Ni CONTACT AREA : 0.1µm MIN. GOLD OVER 0.5µm MIN. Pd-Ni CONTACT AREA : 0.25µm GOLD (FOR\*\*\*-MLF) SOLDER TAIL(TIN LEAD OPTION) : 2.5µm MIN. Sn-Pb SOLDER TAIL(LEAD FREE OPTION) : 2.5µm MIN. PURE TIN
  - MATING RECEPTACLE: 73277-101000/101000LF
  - SEE TA-1050 FOR P.C.B. LAYOUT.
  - RECOMMENDED HOLD DOWN: 2mm SCREWS (95121) AND HEX NUTS (92869).
  - RECOMMENDED SOLDER TORQUE: 1.0 TO 1.5 MAX in-lbs (1.2-1.7 cm-kg).
  - IF LEAD FREE P/N THE HOUSING WILL WITHSTAND EXPOSURE TO 260°C PEAK TEMPERATURE FOR 10 SECONDS IN A WAVE SOLDER APPLICATION WITH A 1.00MM MINIMUM THICK CIRCUIT BOARD.
  - IF LEAD FREE P/N THE PRODUCT MEETS EUROPEAN UNION DIRECTIVES AND OTHER COUNTRY REGULATIONS AS DESCRIBED IN GS-22-008
  - LEAD FREE P/N PACKAGING MEETS GS-14-920 SPECIFICATION

71249-5050MLF	5.0	3.8	-0.3
71249-5622/5622LF	0	6.6	12.35
71249-5122/5122LF	2.2	0.81	5.5
71249-5550/5550LF	0	9.6	6.55
71249-5050/5050LF	5.0	3.8	-0.3
71249-5543/5543LF	0	8.9	6.55
71249-5043/5043LF	4.3	3.1	-0.3
71249-5040/5040LF	4.0	2.6	-0.3
71249-5522/5522LF	0	6.8	12.35
71249-5022/5022LF	2.2	1.0	5.5

0.0mm STAND-OFF IS NOT AVAILABLE			
PRODUCT NO.	DIM K	DIM L ±0.10	DIM M ±0.10

mat'l. code	surface ISO 1302	tolerance ISO 406 ISO 101	projection	product family PCMCIA
lfr	ecn no	dr	date	title
M				CARBUS HEADER ASS'Y W/ VERTICAL BOARD
	angles	linear	.X±.3 .XX±.13 .XXX±.051	scale
	±2'			
	dr	S.DUESTERHOEFFT	8/3/95	dwg no 71249
	enrg	J.SPICKLER	8/3/95	sheet 2 of size A4
	chr	J.SPICKLER	8/3/95	type CUSTOMER Drawing
	pppd	J.SPICKLER	8/3/95	
sheet index	revision sheet			