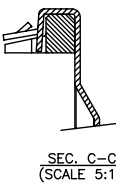
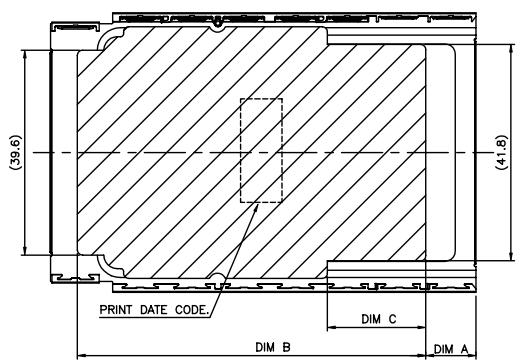
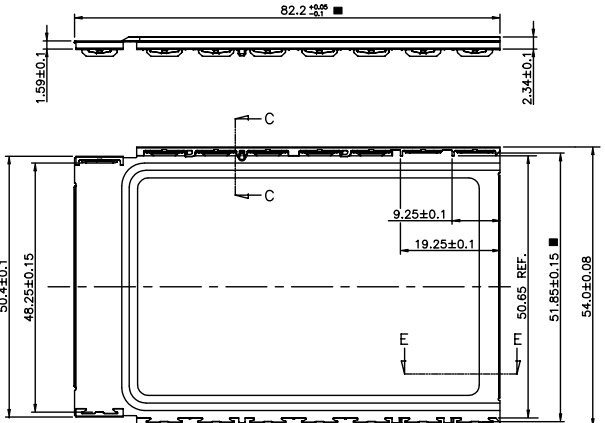
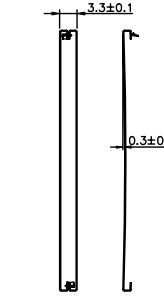


Tous droits strictement réservés. Reproduction ou communication a des tiers int
 sous quelque forme que ce soit sans autorisation écrite du propriétaire.
 Copyright © BERG ELECTRONICS Inc

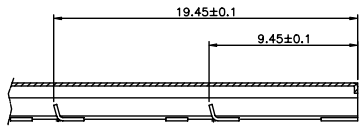
All rights strictly reserved. Reproduction or issue to third parties is any for
 whatever is not permitted without written authority from the proprietor.
 Copyright © BERG ELECTRONICS Inc

PRODUCT NUMBER	DIM A	DIM B	DIM C	DIM D	DIM E
10017657-20110 OR 10017657-20110LF	1.4±1.0	75.6 REF	27.3 REF	4.0	66
10017657-20120 OR 10017657-20120LF	9.7±1.0	67.3 REF	19.0 REF	4.0	66
10017657-20210 OR 10017657-20210LF	1.4±1.0	75.6 REF	27.3 REF	7.0	63
10017657-20220 OR 10017657-20220LF	9.7±1.0	67.3 REF	19.0 REF	7.0	63

VIEW OF 2
ASSEMBLED CARDSHIELDS

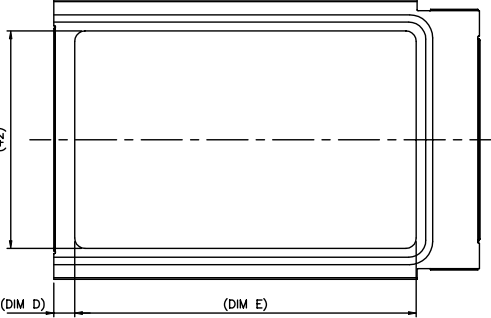
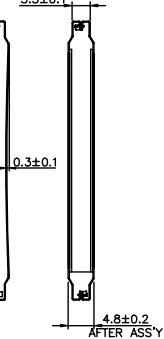


SEC. C-C
(SCALE 5:1)



SEC. E-E
(SCALE 3:1)

VIEW OF 2
ASSEMBLED CARDSHIELDS



NOTE: 1. ■ : CPK MARK >= 1.5

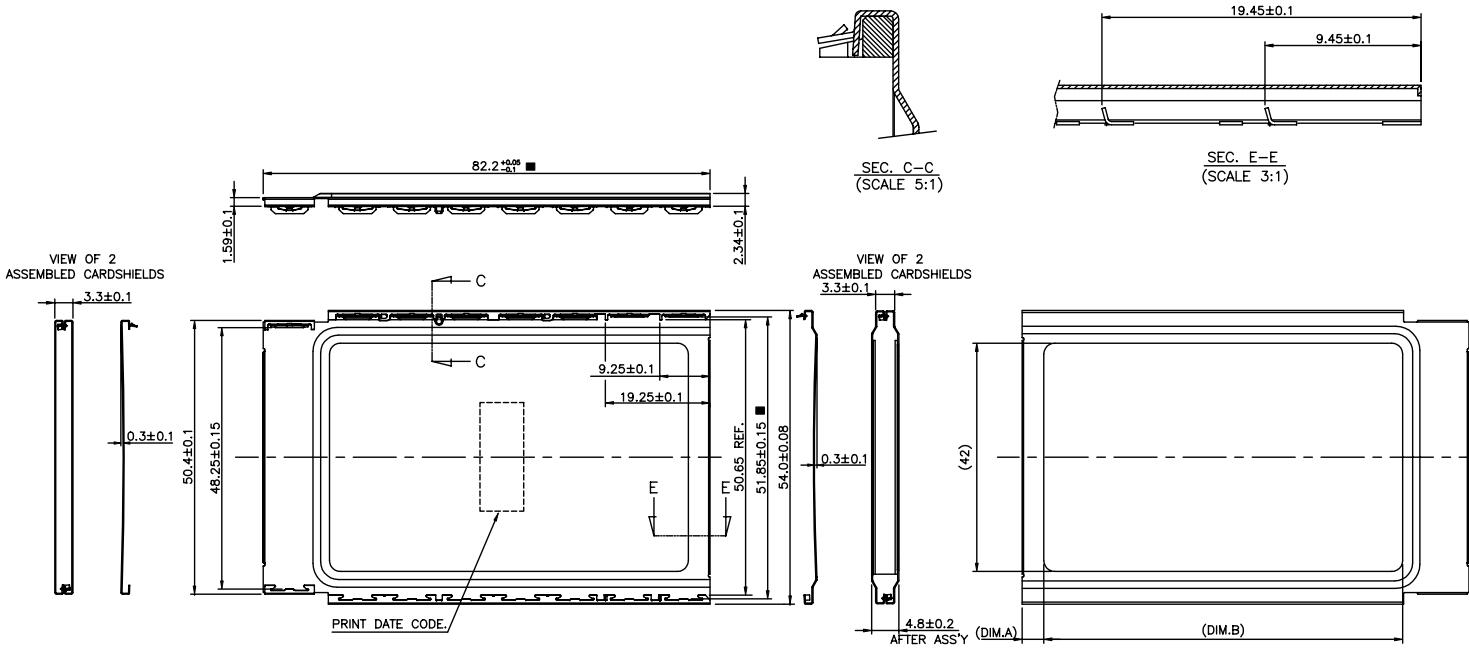
mat'l code				tolerance unless otherwise specified		CUSTOMER	
rev.	ecn	no.	dr	date	linear	COPY	www.fciconnect.com
F					X ±0.3 X ±0.13 XX ±0.05	projection	
					angles		title
					dr	unit	product family
					enrg	mm/inch	code
					chr	scale	size
					appd		dwg no.
							A3
sheet	revision						10017657
index	sheet						2 OF

PDM: Rev:H STATUS Released Printed: Jul 14, 2009

Tous droits strictement réservés. Reproduction ou communication à des tiers sans autorisation écrite du propriétaire.
 FCI ELECTRONICS Inc.

All rights strictly reserved. Reproduction or issue to third parties is any for whatever is not permitted without written authority from the proprietor.
 FCI ELECTRONICS Inc.

PRODUCT NUMBER	DIM.A	DIM.B
10017657-20100 OR 10017657-20100LF	4.0	66
10017657-20200 OR 10017657-20200LF	7.0	63



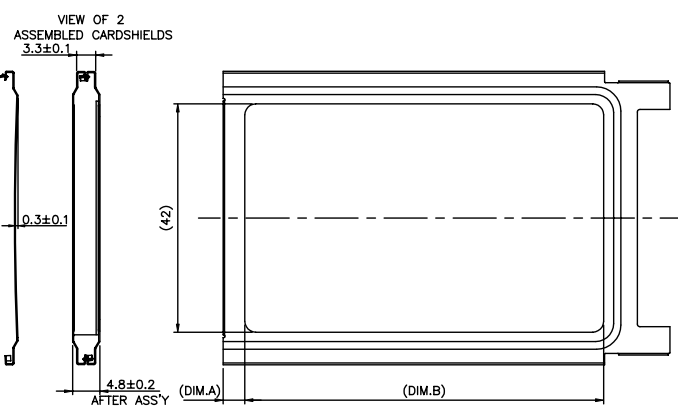
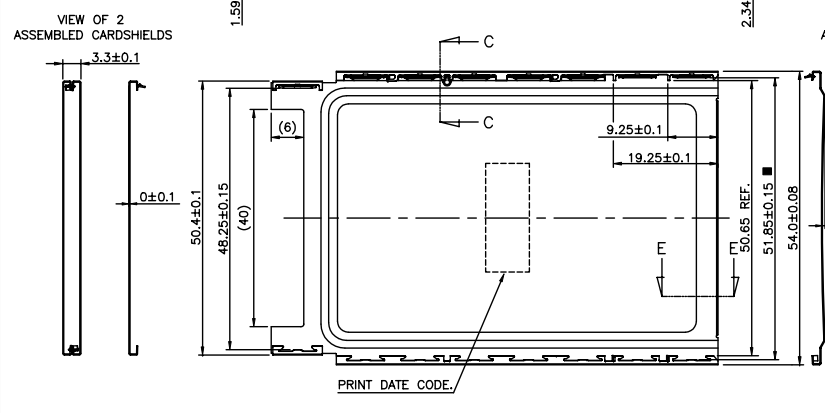
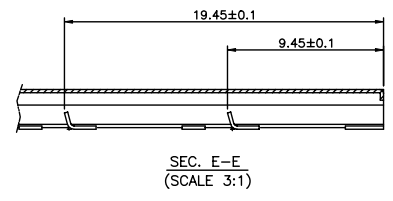
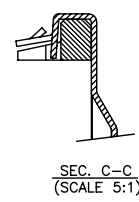
NOTE: 1. ■ : CPK MARK >= 1.5

mat'l code		tolerance unless otherwise specified		CUSTOMER	
rev.	ecn no.	dr	date	COPY	 www.fciconnect.com
F				projection	
				linear	title
				X ±0.3	ROCARD SHIELD
				.X ±0.13	
				.XX ±0.05	
				angles	
				±2°	
				dr WENDY CHEN 10/21/02	product family PCMCIA
				enrg DAVID TENG 10/21/02	code
				chr TONY CHIEN 10/21/02	size dwg no.
				appd JENN TSAO 10/21/02	A3 10017657
sheet	revision			unit	mm/inch
index	sheet			scale	3 OF

PDM: Rev:H STATUS: Released Printed: Jul 14, 2009

All rights strictly reserved. Reproduction or issue to third parties is any for whatever is not permitted without written authority from the proprietor. Copyright © BERG ELECTRONICS BV
 Tous droits strictement réservés. Reproduction ou communication à des tiers sans autorisation écrite du propriétaire. Droits de reproduction BERG ELECTRONICS BV

PRODUCT NUMBER	DIM.A	DIM.B
10017657-20101 OR 10017657-20101LF	4.0	66
10017657-20201 OR 10017657-20201LF	7.0	63



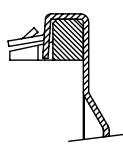
NOTE: 1. ■ : CPK MARK >= 1.5

mat'l code		tolerance unless otherwise specified		CUSTOMER	
rev.	ecn no.	dr	date	COPY	www.fciconnect.com
F				projection	
				linear	title
				X ±0.3	ROCARD SHIELD
				.X ±0.13	
				.XX ±0.05	
				angles	
				±2°	
				dr WENDY CHEN 10/21/02	product family PCMCIA
				enrg DAVID TENG 10/21/02	code
				chr TONY CHIEN 10/21/02	size dwg no.
				appd JENN TSAO 10/21/02	A3 10017657
sheet	revision			unit	mm/inch
index	sheet			scale	
					sheet 4 OF

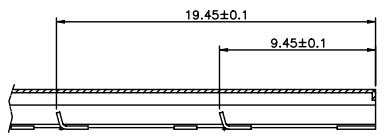
Tous droits strictement réservés. Reproduction ou communication a des tiers sans autorisation écrite du propriétaire.

All rights strictly reserved. Reproduction or issue to third parties in any form or by any means without written authority from the proprietor.

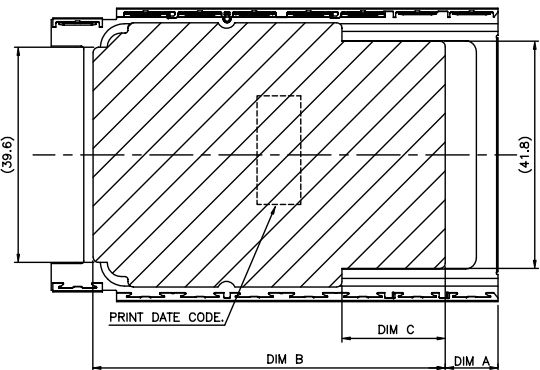
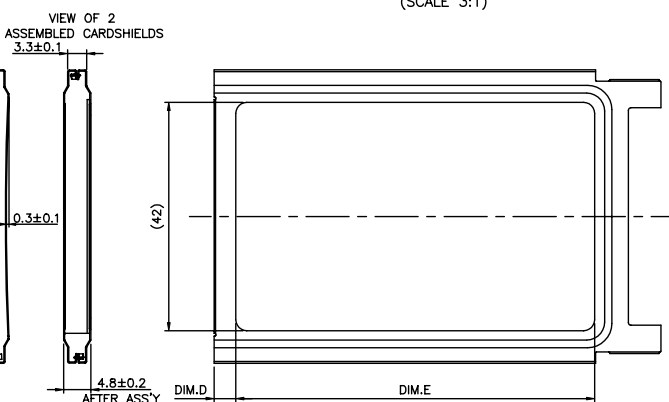
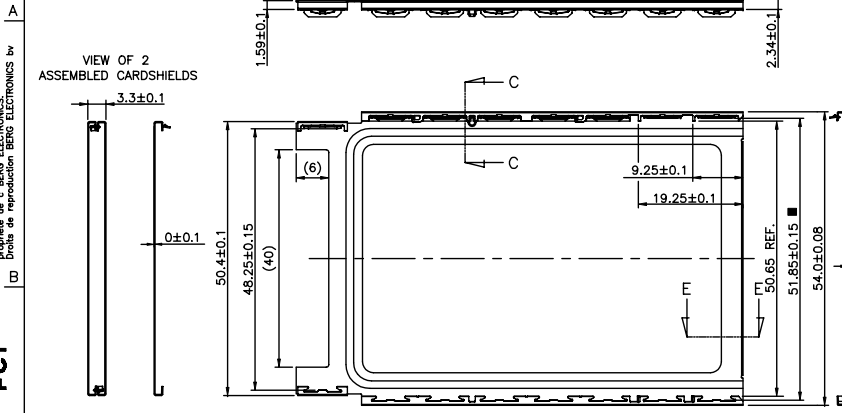
PRODUCT NUMBER	DIM A	DIM B	DIM C	DIM D	DIM E
10017657-20111 OR 10017657-20111LF	1.4±1.0	73.1 REF	27.3 REF	4.0	66
10017657-20121 OR 10017657-20121LF	9.7±1.0	64.8 REF	19.0 REF	4.0	66
10017657-20211 OR 10017657-20211LF	1.4±1.0	73.1 REF	27.3 REF	7.0	63
10017657-20221 OR 10017657-20221LF	9.7±1.0	64.8 REF	19.0 REF	7.0	63



SEC. C-C
(SCALE 5:1)



SEC. E-E
(SCALE 3:1)



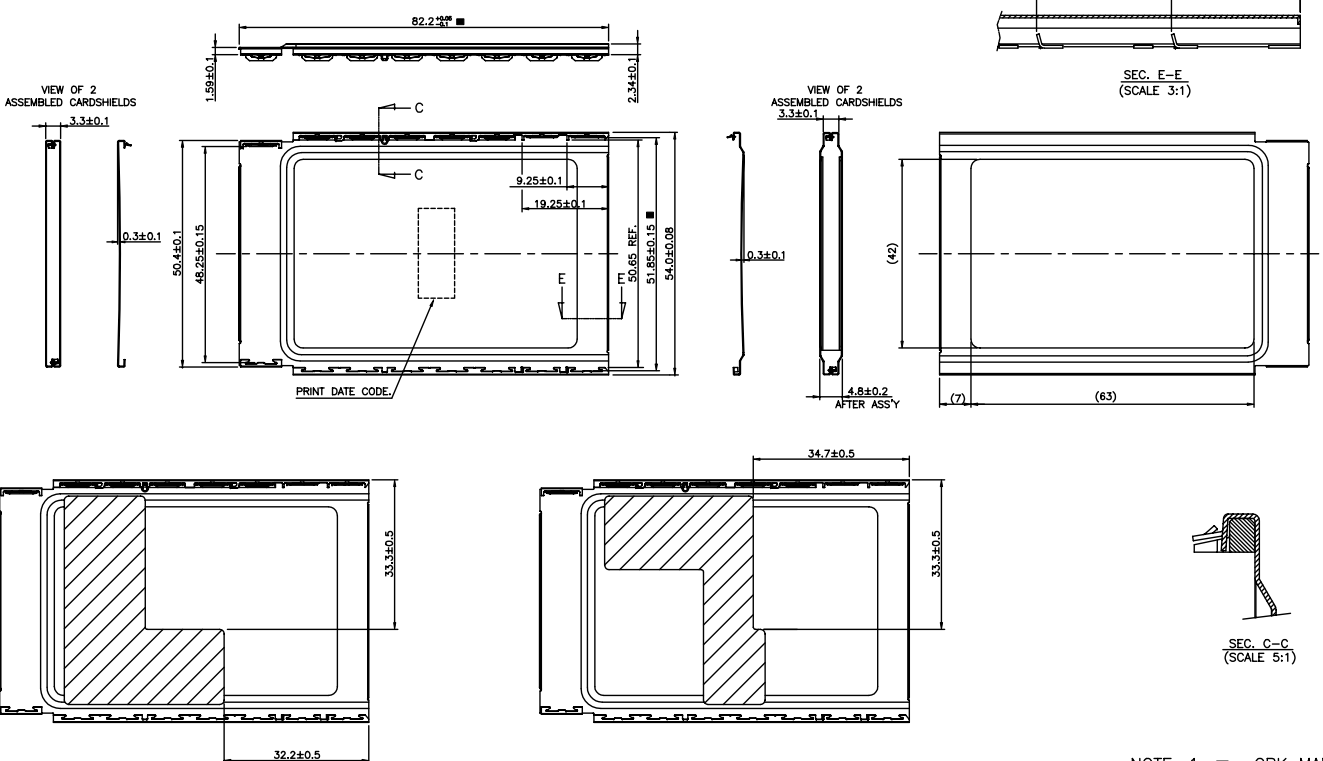
NOTE: 1. ■ : CPK MARK >= 1.5

mat'l code				tolerance unless otherwise specified		CUSTOMER	
rev.	ecn no.	dr	date	linear	X ±0.3	COPY	www.fciconnect.com
F					.X ±0.13	projection	
					.XX ±0.05		ROCARD SHIELD
				angles	±2°	unit	product family
				dr	WENDY CHEN 10/21/02	mm/inch	PCMCIA
				engr	DAVID TENG 10/21/02	scale	size
				chr	TONY CHIEN 10/21/02	A3	dwg no.
				appd	JENN TSAO 10/21/02		10017657
sheet	revision						code
index	sheet						5 OF

Tous droits strictement réservés. Reproduction ou communication, a des tiers, int sans aucune forme qui ne soit une autorisation écrite du propriétaire.
 Droits de reproduction HERO ELECTRONICS by

All rights strictly reserved. Reproduction or issue to third parties in any form without written authority from the proprietor.
 Copyright HERO ELECTRONICS by

1	2	3	4	5	6
PRODUCT NUMBER		CISCO P/N			
10017657-20230-C1 OR 10017657-20230-1LF		62-10960-01			
10017657-20230-C2 OR 10017657-20230-2LF		62-10962-01			



P/N: 10017657-20230-C1
 OR
 P/N: 10017657-20230-C1LF

P/N: 10017657-20230-C2
 OR
 P/N: 10017657-20230-C2LF

NOTE: 1. ■ : CPK MARK >= 1.5

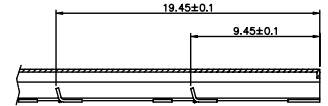
mat'l code		tolerance unless otherwise specified		CUSTOMER COPY		 www.fciconnect.com		
rev.	ecn no.	dr	date	linear	X ±0.3	projection	title	
F					.X ±0.13		ROCARD SHIELD CUSTOMIZED INSULATOR	
					.XX ±0.05		product family	PCMCIA
				angles	±2°	unit	code	
				dr	WENDY CHEN 04/03/03	mm/inch		
				enrg	DAVID TENG 04/03/03	scale	size	
				chr	TONY CHIEN 04/03/03	A3	dwg no.	
				appd	JENN TSAO 04/03/03		10017657	
sheet	revision							sheet
index	sheet							6 OF

PDM: Rev:H STATUS Released Printed: Jul 14, 2009

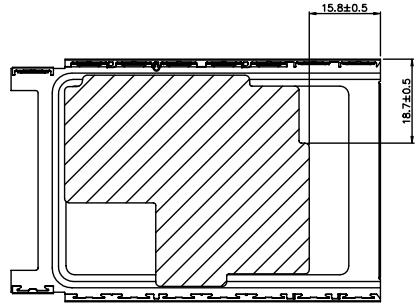
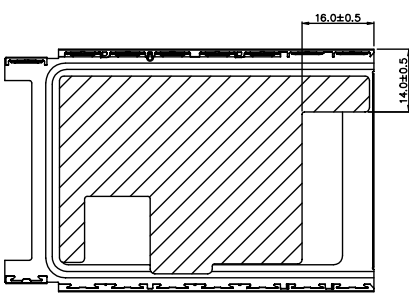
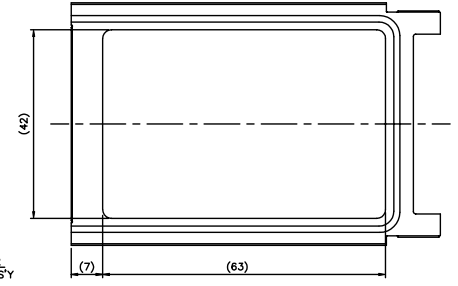
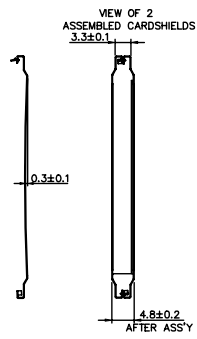
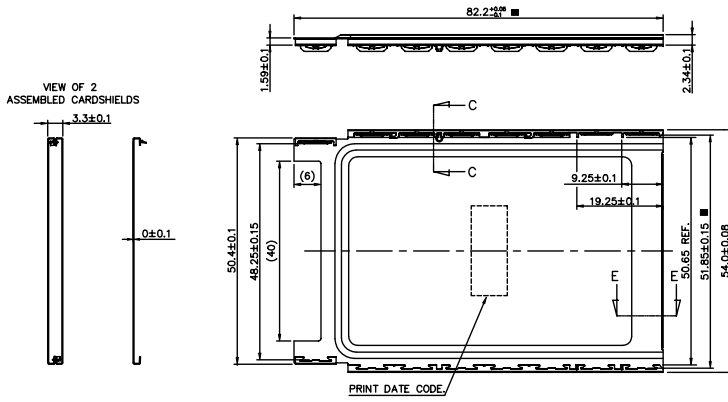
Tous droits strictement réservés. Reproduction ou communication à des tiers int. sans autorisation écrite du propriétaire. Copyright BERG ELECTRONICS BV

All rights strictly reserved. Reproduction or issue to third parties in any form without written authority from the proprietor. Copyright BERG ELECTRONICS BV

1	2	3	4	5	6
PRODUCT NUMBER		CISCO P/N			
10017657-20231-C1 OR 10017657-20231-1LF		62-10959-01			
10017657-20231-C2 OR 10017657-20231-2LF		62-10961-01			



SEC. E-E
(SCALE 3:1)



SEC. C-C
(SCALE 5:1)

NOTE: 1. ■: CPK MARK ≥ 1.5

P/N: 10017657-20231-C1
OR
P/N: 10017657-20231-C1LF

P/N: 10017657-20231-C2
OR
P/N: 10017657-20231-C2LF

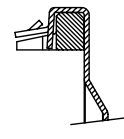
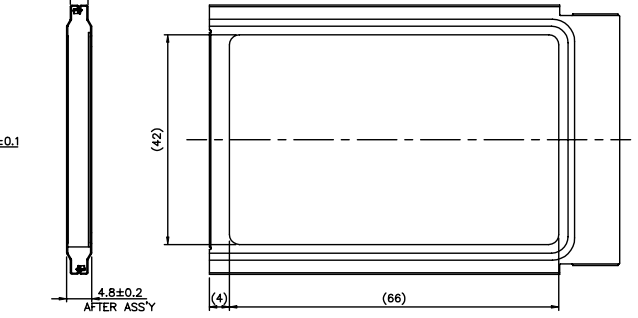
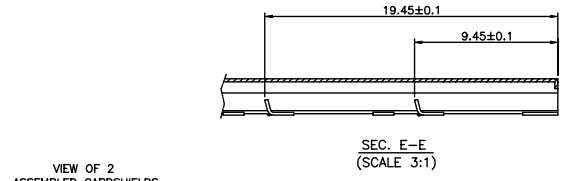
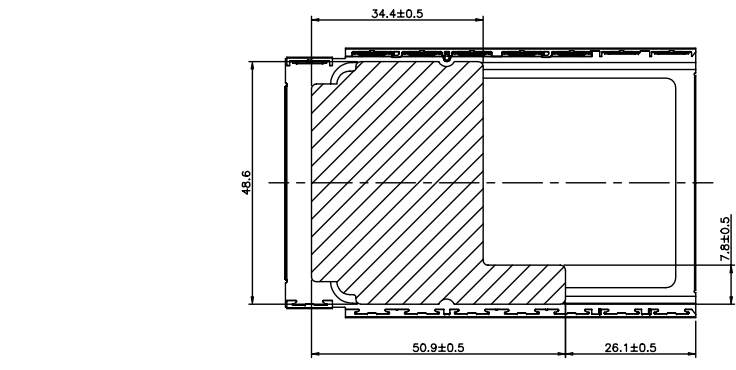
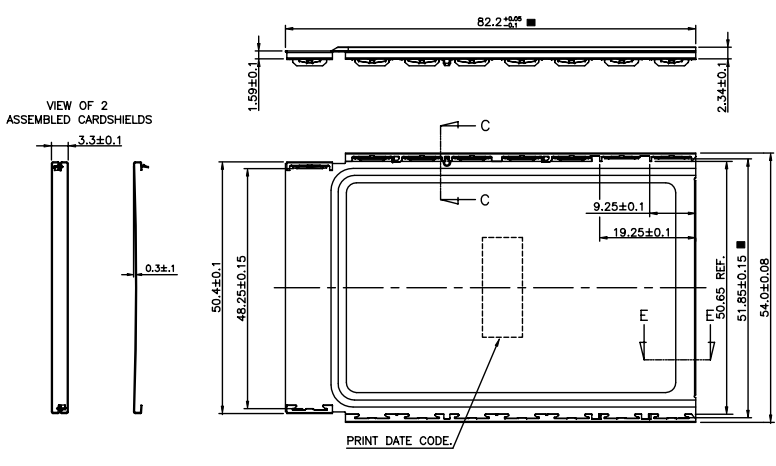
mat'l code		tolerance unless otherwise specified		CUSTOMER COPY		 www.fciconnect.com	
rev.	ecn no.	dr	date	linear	X ±0.3	projection	title
F					.X ±0.13		ROCARD SHIELD CUSTOMIZED INSULATOR
					.XX ±0.05		product family
				angles	±2°	unit	code
				dr	WENDY CHEN 04/03/03	mm/inch	
				enrg	DAVID TENG 04/03/03	scale	size
				chr	TONY CHIEN 04/03/03	A3	dwg no.
				appd	JENN TSAO 04/03/03		10017657
sheet	revision						7 of
index	sheet						

Tous droits strictement réservés. Reproduction ou communication à des tiers sans autorisation écrite du propriétaire.
 All rights strictly reserved. Reproduction or communication to other parties is not permitted without written authority from the proprietor.
 Copyright © BERG ELECTRONICS Inc.

FCI

All rights strictly reserved. Reproduction or communication to other parties is not permitted without written authority from the proprietor.
 Copyright © BERG ELECTRONICS Inc.

1	2	3	4	5	6
PRODUCT NUMBER		GEMTEK P/N			
10017657-20130-G1 OR 10017657-20130-1LF		23-600-0027			



NOTE: 1. ■ : CPK MARK >= 1.5

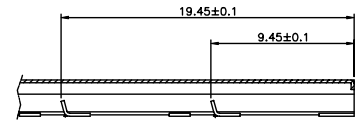
mat'l code		tolerance unless otherwise specified		CUSTOMER COPY		FCI www.fciconnect.com	
rev.	ecn no.	dr	date	linear	X ±0.3	projection	title
F					.X ±0.13		ROCARD SHIELD CUSTOMIZED INSULATOR
					.XX ±0.05		product family
				angles	±2°	unit	code
				dr	WENDY CHEN 07/15/03	mm/inch	
				engr	DAVID TENG 07/15/03	scale	size
				chr	TONY CHIEN 07/15/03	A3	dwg no.
				appd	JENN TSAO 07/15/03		10017657
sheet	revision						sheet
index	sheet						8 OF

PDM: Rev:H STATUS Released Printed: Jul 14, 2009

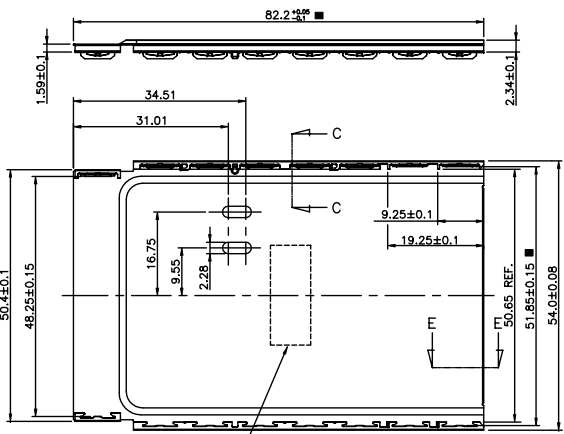
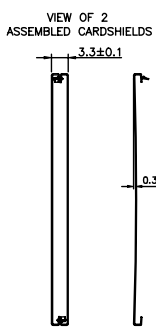
Tous droits strictement réservés. Reproduction ou communication, a des tiers int
 sous quelque forme que ce soit sans autorisation écrite du propriétaire.
 Droits de reproduction BERG ELECTRONICS by

All rights strictly reserved. Reproduction or issue to third parties in any for
 whatever is not permitted without written authority from the proprietor.
 Copyright BERG ELECTRONICS by

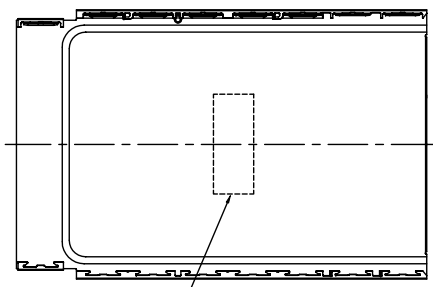
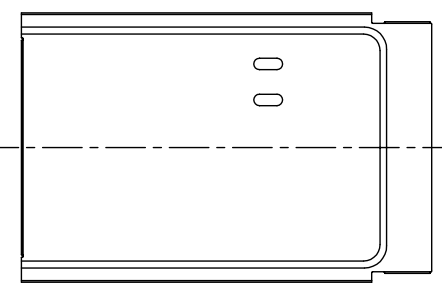
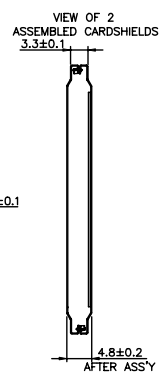
1	2	3	4	5	6
PRODUCT NUMBER		REMARK			
10017657-20000 OR 10017657-20000LF		STANDARD TYPE (NONE OVAL-SHAPE HOLE)			
10017657-20000-01 OR 10017657-20000-1LF		FOR NOVATEL SPECIAL REQUEST (WITH OVAL-SHPAE HOLE)			



SEC. E-E
(SCALE 3:1)

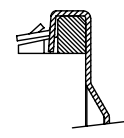


PRINT DATE CODE.



PRINT DATE CODE.

P/N: 10017657-20000 OR 10017657-20000LF



SEC. C-C
(SCALE 5:1)

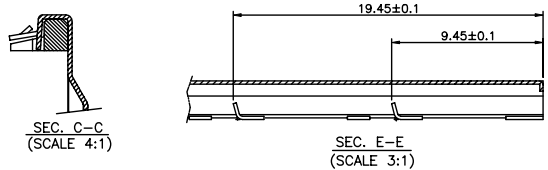
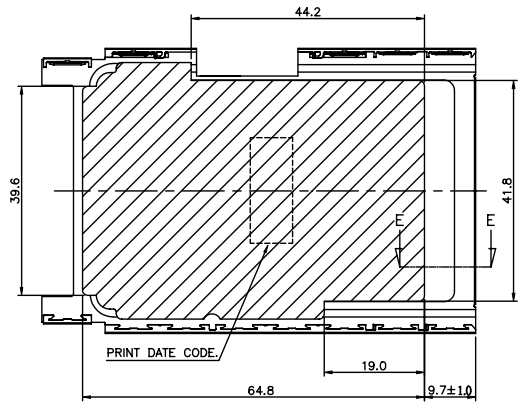
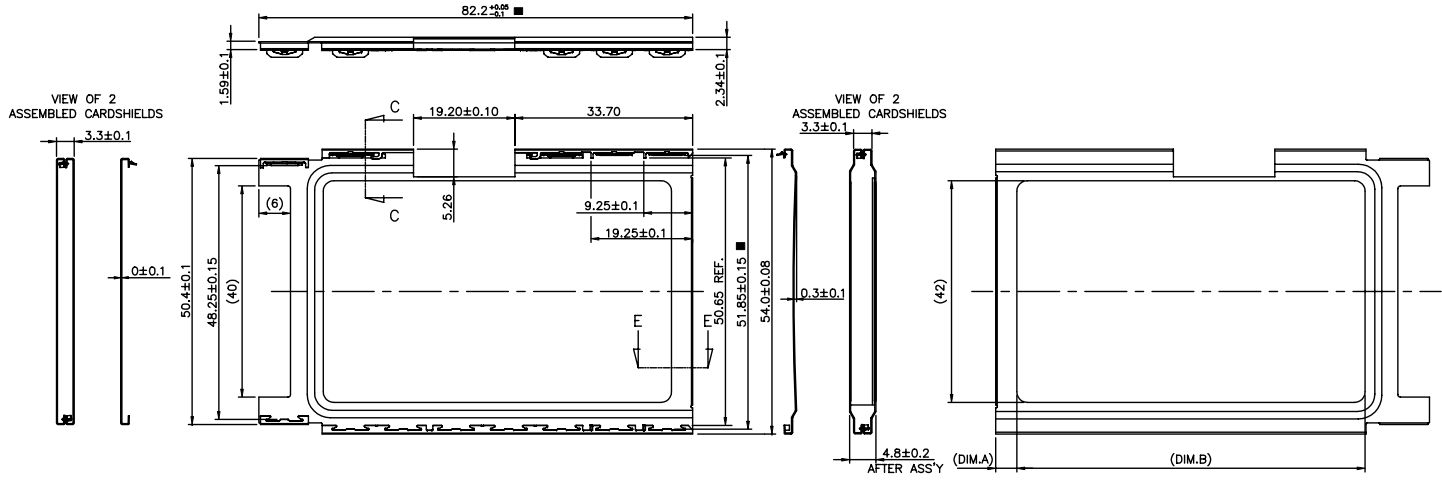
NOTE: 1. ■ : CPK MARK >= 1.5

mat'l code		tolerance unless otherwise specified		CUSTOMER COPY		 www.fciconnect.com	
rev.	ecn no.	dr	date	linear	X ±0.3	projection	title
F					.X ±0.13		ROCARD SHIELD
					.XX ±0.05		CUSTOMIZED REQUIREMENT
				angles	±2°		
				dr	WENDY CHEN 04/03/08	unit	product family
				enrg	DAVID TENG 04/03/08	mm/inch	PCMCIA
				chr	DAVID TENG 04/03/08	scale	size
				appd	JOSEPH HSIA 04/03/08	A3	dwg no.
sheet	revision						10017657
index	sheet						code
							9 of

Tous droits strictement réservés. Reproduction ou communication, a des tiers int
 sous quelque forme que ce soit sans autorisation écrite du propriétaire.
 Droits de reproduction BERG ELECTRONICS Inc

All rights strictly reserved. Reproduction or issue to third parties is any for
 whatever is not permitted without written authority from the proprietor.
 Copyright BERG ELECTRONICS Inc

PRODUCT NUMBER	DIM.A	DIM.B	FRAME	INSULATOR
10017657-20201-1LF	7.0	63	YES WITH SPECIAL CUT	YES



NOTE: 1. ■ : CPK MARK >= 1.5

P/N: 10017657-20201-1LF

mat'l code		tolerance unless otherwise specified		CUSTOMER COPY		 www.fciconnect.com	
rev.	ecn no.	dr	date	linear	X. ±0.3	projection	title
H					.X ±0.13		ROCARD SHIELD
					.XX ±0.05		CUSTOMIZED REQUIREMENT
				angles	±2°		
				dr	WENDY CHEN/05/10/08	unit	product family
				engr	DAVID TENG /05/10/08	mm/inch	PCMCIA
				chr	DAVID TENG /05/10/08	scale	size
				appd	JOSEPH HSIA/05/10/08		dwg no.
sheet	revision						10017657
index	sheet						100F

PDM: Rev:H STATUS Released Printed: Jul 14, 2009