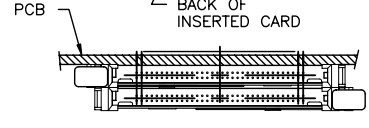
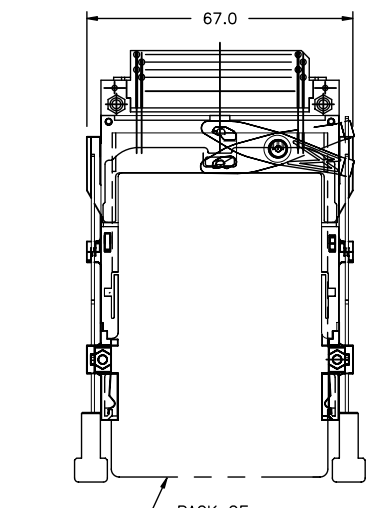


Tous droits strictement réservés. Reproduction ou communication à des tiers
interdite sous quelque forme que ce soit sans autorisation écrite du propriétaire.
Property of FCI. Prohibits de reproduction FCI.

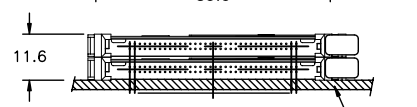
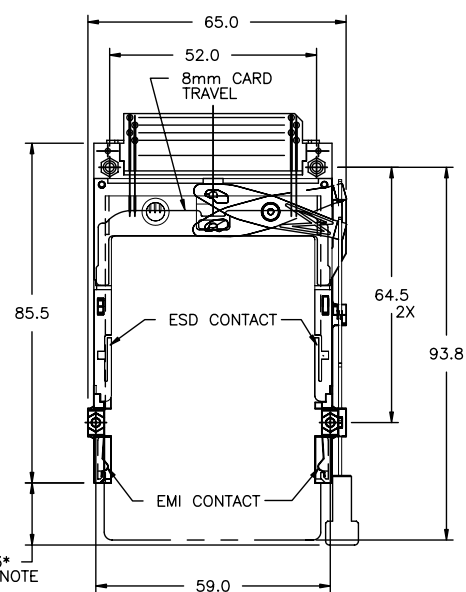
All rights strictly reserved. Reproduction or issue to third parties in any
form whatever is not permitted without written authority from the proprietor.
Property of FCI. Copyright FCI.

PRODUCT NUMBER
94050-XXXX/XXXXLF

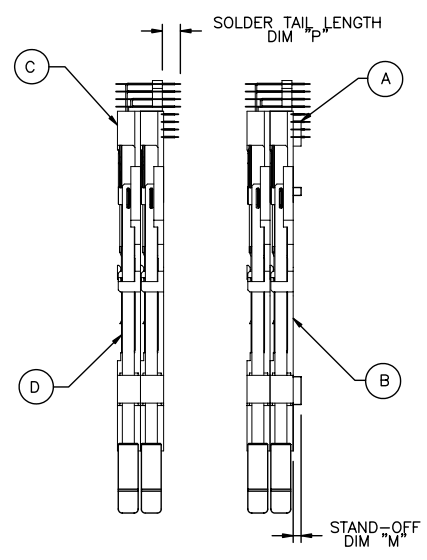
PCMCIA COMPONENTS
DOUBLE DECK 5V EJECT HEADER ASSEMBLY
65mm WIDE, 8mm CARD TRAVEL



LEFT/RIGHT PUSH ROD
RT. ANGLE SOLDER TAIL
BELOW PCB SIDE
P/N: 94050-600CA/600CALF



RIGHT/RIGHT PUSH ROD
RT. ANGLE SOLDER TAIL
ABOVE PCB SIDE
P/N: 94050-200CA/200CALF



CONFIDENTIAL

NOTE: * 21 FOR 94050-220FA/220FALF

mat'l. code		tolerances unless otherwise specified		CUSTOMER COPY	
ltr	ecn no	dr	date	linear	projection
A	V41863	RDS	12/7/94	.X±.3	MM
B	V50126	MSC	2/3/95	.XX±.13	MM
C	V50254	MSC	3/1/95	.XXX±.051	MM
D	V60578	RHG	4/9/96	0° ±2°	MM
E	V02234	RJR	10/10/00		MM
F	V12707	RGD	11/15/01		MM
G	N05-0045	WB	02/18/05		MM
sheet	revision	G	G	G	scale
index	sheet	1	2	3	3/4

FCI www.fciconnect.com

DOUBLE DECK 5V EJECT HEADER ASSY

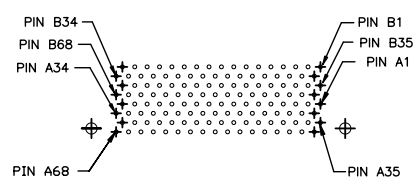
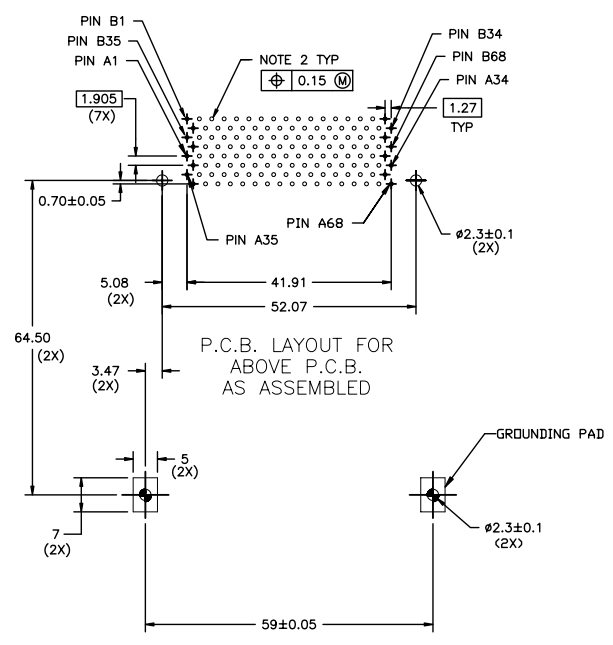
product family MCS code -

size dwg no A4 94050 sheet 1 of 3

Tous droits strictement réservés. Reproduction ou communication à des tiers
interdite sous quelque forme que ce soit sans autorisation écrite du propriétaire.
Property of FCI. Copyright FCI. Prohibits reproduction FCI.

All rights strictly reserved. Reproduction or issue to third parties in any
form whatever is not permitted without written authority from the proprietor.
Property of FCI. Copyright FCI.

PRODUCT NUMBER



CONFIDENTIAL

NOTES:

1. ALL TOLERANCES ±0.15 UNLESS NOTED.
2. RECOMMENDED DIAMETER IS #1.0 FOR PROCESSES USING PASTE REFLOW, HOLE MAY BE AS SMALL AS #0.79
3. GS-14-920 SPEC. SHOULD BE APPLIED LEAD FREE P/N.
4. IF LEAD FREE P/N.THE HOUSING WILL WITHSTAND EXPOSURE TO 260°C PEAK TEMPERATURE FOR 10 SECONDS IN A WAVE SOLDER APPLICATION WITH A 1.00MM MINIMUM THICK CIRCUIT BOARD.

mat'l. code		tolerances unless otherwise specified		CUSTOMER COPY	A FCI www.fciconnect.com	
ltr	ecr no	dr	date	linear	projection	title
G					MM	DOUBLE DECK 5V EJECT HEADER ASSY
				angles	0° ± 2°	product family MCS
				dr	D.SHEAFFER	11/17/94
				enrg	D.BRANN	12/7/94
				chr	D.BRANN	12/7/94
				appd	D.BRANN	12/7/94
sheet index	revision sheet			scale	2:1	A4
				cage code		94050
				STATUS	Released	sheet 3 of 3