

FCI CONFIDENTIAL

FCI

This document is the property of and includes CONFIDENTIAL and PROPRIETARY information of FCI. No part of the information shown on this document may be used in any way or disclosed to others without the written consent of FCI. Copyright © FCI.

PRODUCT NO.	STAND OFF DIM "M"(mm)	HOLD DOWN
92791-XXXX		
001	0	NONE
001MLF	0	NONE
001LF	0	NONE
001H	0	YES
001HLF	0	YES
011	0	NONE
021	2	NONE
021LF	2	NONE
041	4	NONE
041LF	4	NONE
041H	4	YES
041HLF	4	YES
051	5	NONE
051M	5	NONE
051LF	5	NONE
051H	5	YES
051HLF	5	YES
052	5	NONE
053M	5	NONE
022LF	2.2	NONE
022	2.2	NONE
043LF	4.3	NONE
043	4.3	NONE

92791-X X X X X

- OPTIONAL HOLD DOWN
- OPTIONAL FOR TWO TYPE COVER PLATE ("S")
- LOW COST VERIOSN
- FOR LOWER OR UPPER DECK
- STAND OFF HEIGHT (DIM"MM")
- MOUNT STYLE TO PCB

NONE : N 0
H : YES(SEE FIGURE OF -XXXH)
NONE "S": 93328-001 (EXCEPT 92791-052)
S (P/N WITH "S"): 72228-003

NONE : N 0
M: YES

1 : AVAILABLE FOR BOTH DECKS
NONE : NOT AVAILABLE FOR BOTH DECKS
0 : 0mm(NONE)
2 : 2mm 22: 2.2mm
4 : 4mm 43: 4.3mm
5 : 5mm
0 : AVAILABLE FOR BOTH MOUNT

92791-xxxH (OPTIONAL HOLD DOWN)

ONLY FOR 92791-053M

mat'l. code		surface ISO 1302	tolerance ISO 406 ISO 110	projection	product family PCMCIA
lfr	ecn no	dr	date	tolerances unless otherwise specified	title
H	N06-006	NZ	03/22/06	angles linear	68P LONG HEADER TYPE 1/II /III
J	N06-019	MZ	05/10/06	±2°	GUIDE ASSY
K	N07-0109	DT	4/25/07	scale 4	
L	N07-0219	NZ	1/7/08	dr	Mike Zhou 05/10/08
M	N08-0219	MZ	11/20/08	engr	Mike Zhou 05/10/08
				chr	Mike Zhou 05/10/08
				pppd	Qin David 05/10/08
sheet index	revision sheet	M	M		
		1	2		

PDM: Rev:M STATUS **Released** Printed: Oct 12, 2010 6

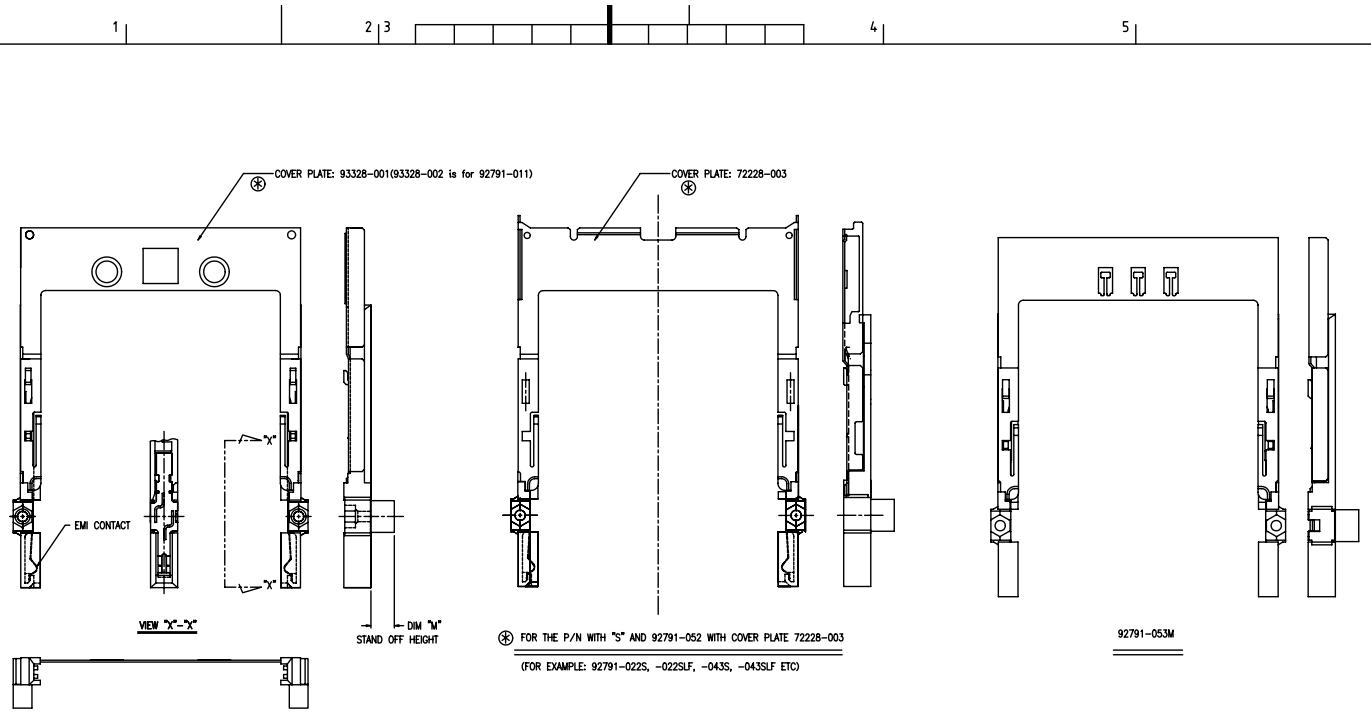
form: A3

FCI CONFIDENTIAL



This document is the property of and includes CONFIDENTIAL and PROPRIETARY information of FCI. No part of the information shown on this document may be used in any way or disclosed to others without the written consent of FCI. Copyright © FCI.

PRODUCT NO.
92791-001
92791-001LF
92791-001H
92791-001HLF
92791-021
92791-021LF
92791-041
92791-041LF
92791-041H
92791-041HLF
92791-051
92791-051M
92791-051LF
92791-051H
92791-051HLF
92791-052
92791-022
92791-022LF
92791-043
92791-043LF
92791-011
92791-001M
92791-053M



NOTE

① MATERIAL
 GUIDE : POLYPHTHARAMID UL94V-0 BLACK
 PLATE : STAINLESS
 EMI CONTACT : PHOSPHOR BRONZE
 HOLD DOWN : BRASS

② FINISH
 EMI CONTACT : PRE-PLATING
 0.5µm MIN. Ni OVER ALL UNDER PLATING
 0.5µm MIN. Au CONTACT AREA

⚠ 3 "M" SHOWS IT IS LOW COST VERSION. IT IS OPTIONAL AND IN FIRST OF LETTER OF PART NO., SUCH AS 92791-051M IS LOW COST VERSION. DETAIL AS COMPONENT INFORMATION, 92791-051 IS NOT LOW COST VERSION.

4. GENERAL TOLERANCE : ±0.3

mat'l. code		surface	tolerance	projection	product family
ISO 1302		ISO 406 ISO 1101	ISO 406 ISO 1101	ISO 10	PCMCIA
tolerances unless otherwise specified		angles	linear	MM	title
±2'		linear	linear	MM	68P LONG HEADER TYPE I / II / III
scale 4		dr	Mike Zhou 05/10/06	scale 4	GUIDE ASSY
sheet index		enr	Mike Zhou 05/10/06	dwg no	sheet 2 of 2 size
revision sheet		chr	Mike Zhou 05/10/06	92791	A 4
		appd	Qin David 05/10/06	type	CUSTOMER Drawing