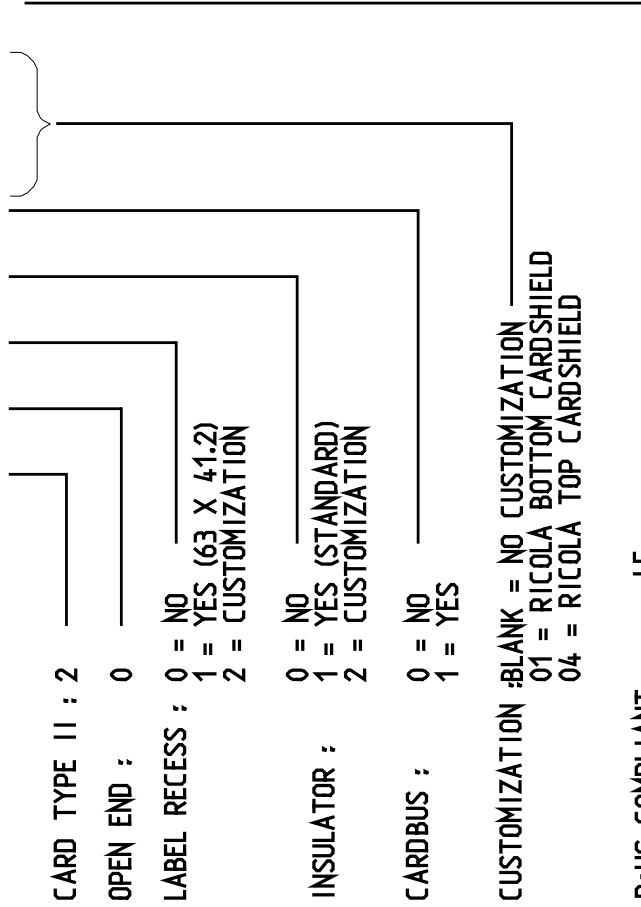


83818-20XXX-XXLF



FCI CONFIDENTIAL

RoHS COMPLIANT SPECIFICATION (optional)

LF (blank)

83818-20XXX-XX IS SIMILAR TO 83818-20XXX-XXLF, THE SUFFIX "LF" IS ADDED FOR LEAD FREE IDENTIFICATION. THIS PRODUCT MEETS EUROPEAN UNION DIRECTIVES AND OTHER COUNTRY REGULATIONS AS PER GS-22-008. PACKAGING SPECIFICATION GS-14-920.

- NOTES :
- 1- CARDSHIELD :
 - MATERIAL = STAINLESS STEEL
 - TEXTURE AND VISUAL QUALITY ACCORDING GS-12-022
 - THICKNESS 0.2
 - 2- FRAME BAR :
 - MATERIAL = PPO BLACK UL94 V-0
 - 3- INSULATOR :
 - MATERIAL : POLYESTER FOIL
 - DIELECTRIC STRENGTH = 2 500 V
 - TEMPERATURE RANGE : -40°C TO +85°C
 - 4- PACKAGED IN THERMOFORMED TRAY ACCORDING GS-14-995 500 PCS PER CARTON BOX.

rev	ecn no	dr	date
A	F10159	LSA	01.03.28
B	F10564	FCH	01.10.23
C	F05-0270	LSA	05-10-07
D	F06-0254	LSA	05-11-07
E	F07-0213	LSA	06-06-29
F	F07-0133	LSA	07-02-15
-	-	-	-

Mark with (N/A)

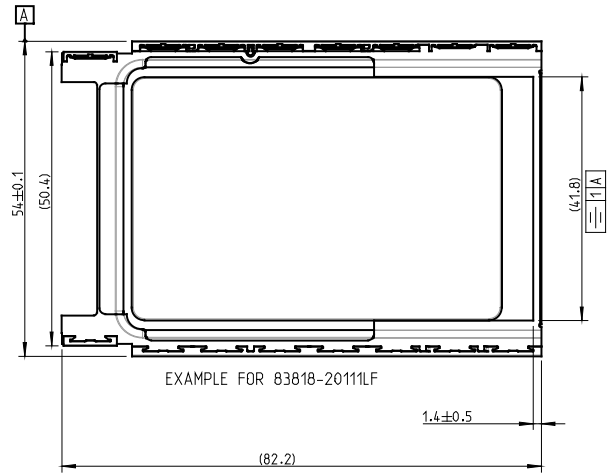
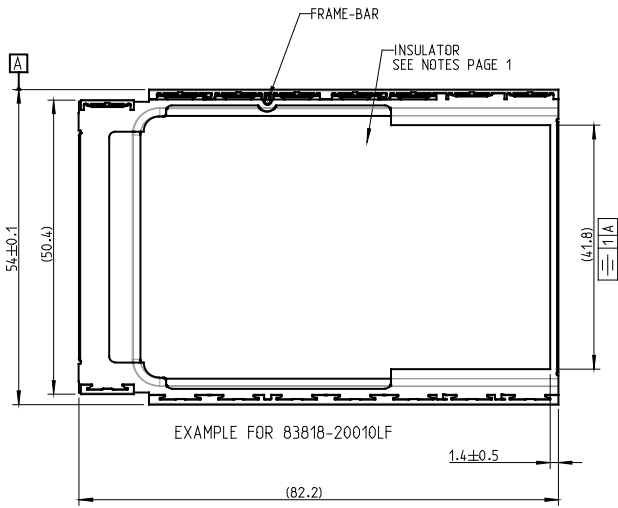
Material	Spec ref	GS-19-022	surface	tolerance	projection	mm
Mat code	-	-	ISO 406	ISO 1001		mm
Heat treat	-	-	ISO 1302	ISO 1001		mm
Plating/Finish	-	-	ISO 1302	ISO 1001		mm
Dr L, SAILLARD	05-06-10		Product family	PCMCIA	size	A4
Eng L, SAILLARD	05-06-10		Model Name	83818-20121-03	REL Level	RELEASED
Chr G, PEQUIGNOT	05-06-10		Model Revision	1	Scale	1:1
Appr /	/		Model Revision	1	ECN	F06-0213
	-	CARDSHIELD	Rev.	83818C		F
Pro/E file	catalog no	-	Customer	CUSTOMER	sheet 1 of 3	



PDM: Rev:F STATUS: Released Printed: Oct 01, 2010
 This document is the property of and remains confidential and proprietary information of FCI. No part of the information shown on this document may be used in any way or disclosed to others without the written consent of FCI. Copyright FCI.

STANDARD PART NUMBER	LABEL RECESS	MADE FROM		
		CARDSHIELD	FRAME-BAR	INSULATOR
83818-20000LF	NO	10047174-2000	YES	NO
83818-20000				
83818-20010LF	NO	10047174-2000	YES	YES
83818-20010				
83818-20100LF	YES	10047174-2010	YES	NO
83818-20100				
83818-20110LF	YES	10047174-2010	YES	YES
83818-20110				

STANDARD PART NUMBER	CARDBUS LABEL RECESS	MADE FROM		
		CARDSHIELD	FRAME-BAR	INSULATOR
83818-20001LF	NO	10047174-2001	YES	NO
83818-20001				
83818-20011LF	NO	10047174-2001	YES	YES
83818-20011				
83818-20101LF	YES	10047174-2011	YES	NO
83818-20101				
83818-20111LF	YES	10047174-2011	YES	YES
83818-20111				



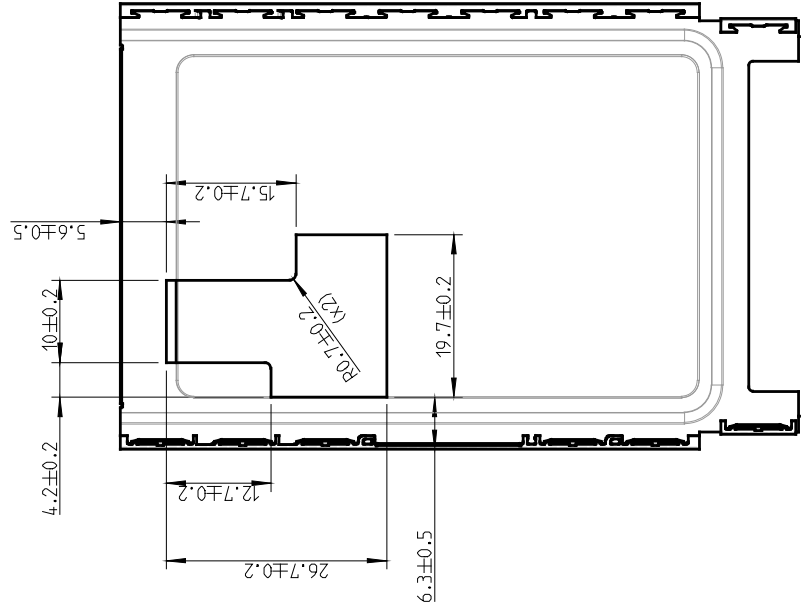
ON 83818-20XXXLF, THE SUFFIX "LF" IS ADDED FOR LEAD FREE IDENTIFICATION. THIS PRODUCT MEETS EUROPEAN UNION DIRECTIVES AND OTHER COUNTRY REGULATIONS AS PER GS-22-008. PACKAGING SPECIFICATION GS-14-920.

	Title	- STANDARD CARDSHIELD	dwg no 83818C	Rev. F
		- ROCARD CARDSHIELD		
	catalog no	-	CUSTOMER	sheet 2 of 3

Copyright FCI.

PART NUMBER
83818-20121-04LF

83818-20XXX-XX IS SIMILAR TO 83818-20XXX-XXLF.
THE SUFFIX "LF" IS ADDED FOR LEAD FREE IDENTIFICATION. THIS PRODUCT MEETS EUROPEAN UNION DIRECTIVES AND OTHER COUNTRY REGULATIONS AS PER GS-22-008. PACKAGING SPECIFICATION GS-14-920.



NOTES :

- 1- INSULATOR :
 - MATERIAL : POLYESTER FOIL
 - DIELECTRIC STRENGTH = 2 500 V
 - TEMPERATURE RANGE : -40°C TO +85 °C
- 2- PACKAGED IN THERMOFORMED TRAY ACCORDING GS-14-995
 500 PCS PER CARTON BOX.

CUSTOMIZED PRODUCT

Material	-	Spec ref	GS-19-022	projection		mm
Mat code	-	surface	✓	tolerance	ISO 406	
Heat treat	-				ISO 1001	
Plating/Finish	-			ISO 1302	size	A4
Dr	L. SAILLARD	05-06-10			Product family	PCMCIA
Eng	L. SAILLARD	05-06-10			Model Name	83818-20121-03
Chr	G. PEQUIGNOT	05-06-10			Model Revision	I
Appr /	/	/			REL Level	RELEASED
		TOP CARD SHIELD - RICOLA ANTENNA EXTENSION		dwg no 83818C		Rev. F
Pro/E file	catalog no			CUSTOMER		sheet 3 of 3

FCI CONFIDENTIAL



STATUS: Released
 PDM: Rev:F
 Printed: Oct 01, 2010
 This document is the property of and remains confidential and proprietary information of FCI. No part of the information shown on this document may be used in any way or disclosed to others without the written consent of FCI. Copyright © FCI.