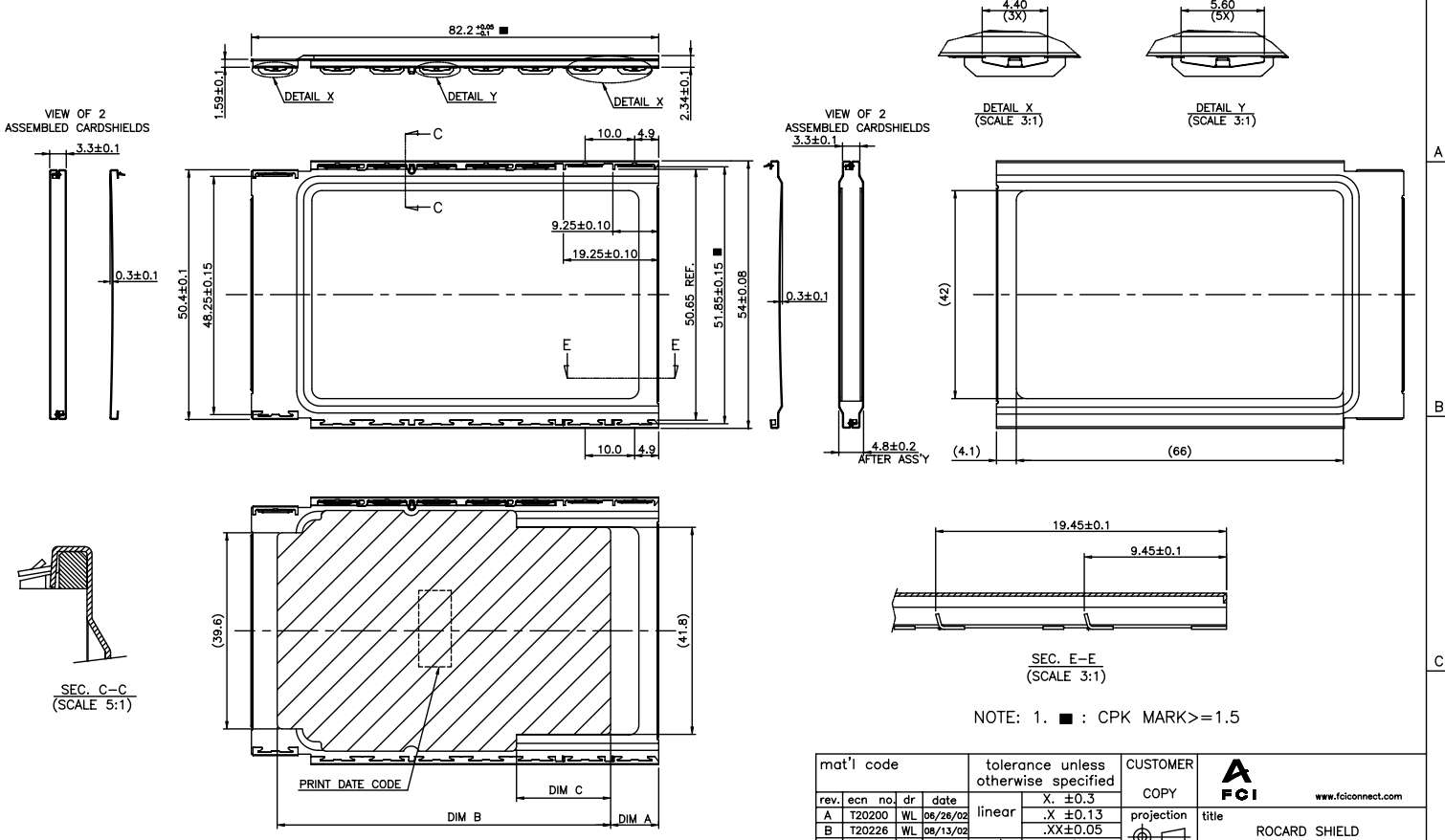


Tous droits strictement réservés. Reproduction ou communication a des tiers int sans aucune forme que ce soit sans autorisation écrite du propriétaire.
 Droits de reproduction BERG ELECTRONICS by

All rights strictly reserved. Reproduction or issue to third parties is any for whatever is not permitted without written authority from the proprietor.
 Copyright BERG ELECTRONICS by

PRODUCT NUMBER	DIM A	DIM B	DIM C
57924-001	9.7±1.0	67.3 REF	19.0 REF
57924-002	1.4±1.0	75.6 REF	27.3 REF



NOTE: 1. ■ : CPK MARK >= 1.5

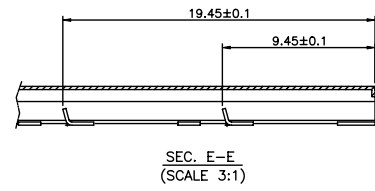
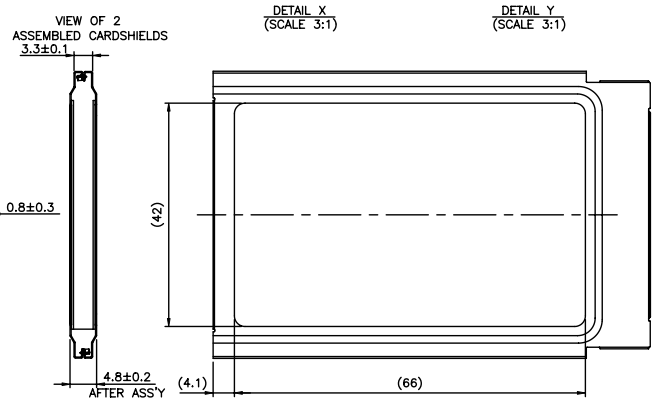
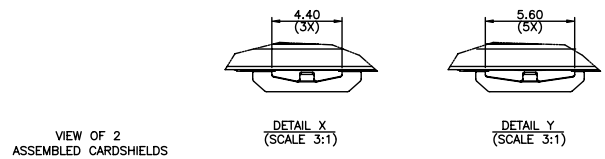
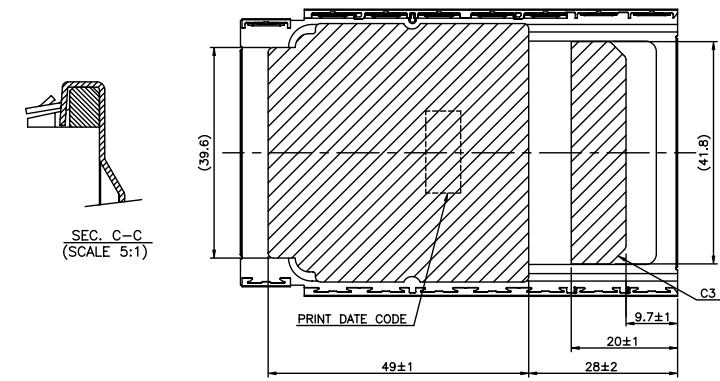
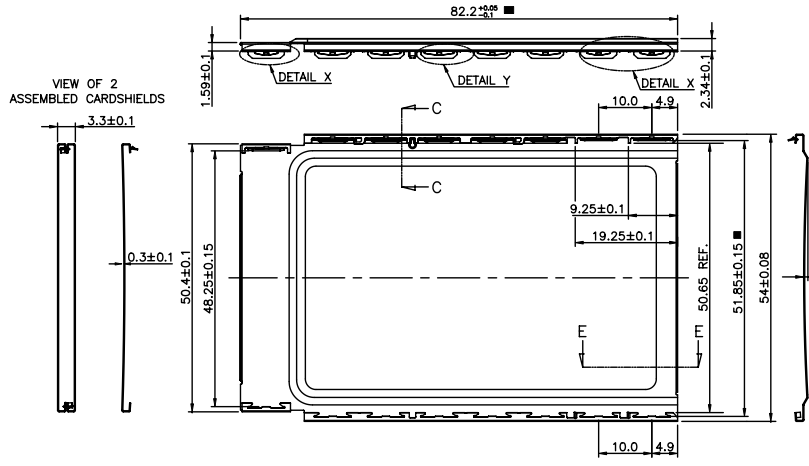
mat'l code		tolerance unless otherwise specified		CUSTOMER	
rev.	ecn no.	dr	date	COPY	FCI www.fciconnect.com
A	T20200	WL	06/28/02	linear	X. ±0.3
B	T20226	WL	08/13/02		.X ±0.13
C	T03-0052	WL	02/11/03	angles	.XX±0.05
D	T04-0106	WL	03/08/04		±2°
		dr	WENDY CHEN 08/01/01	unit	mm/inch
		enrg	YUWEN CHU 08/01/01	product family	PCMCIA
		chr	YUWEN CHU 08/01/01	size	dwg no.
		appd	JENN TSAO 08/01/01	scale	A3 57924
sheet	revision	D	D	C	C
index	sheet	1	2	3	4

PDM: Rev:D STATUS Released Printed: Jul 14, 2009

Tous droits strictement réservés. Reproduction ou communication à des tiers, en tout ou en partie, sans autorisation écrite du propriétaire. Copyright: BERG ELECTRONICS BV

All rights strictly reserved. Reproduction or issue to third parties, in any form or by any means, without written authority from the proprietor. Copyright: BERG ELECTRONICS BV

PRODUCT NUMBER
57924-001A



NOTE: 1. ■ : CPK MARK >= 1.5

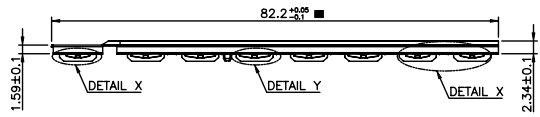
mat'l code		tolerance unless otherwise specified		CUSTOMER COPY		FCI		www.fciconnect.com		
rev.	ecn no.	dr	date	linear	X, ±0.3 .X ±0.13 .XX±0.05	projection	title	ROCARD SHIELD		
D				angles	±2°		product family	PCMCIA	code	
				dr	WENDY CHEN 02/20/02		unit	mm/inch	size	dwg no.
				engr	YUWEN CHU 02/20/02		scale	A3	57924	sheet
				chr	YUWEN CHU 02/20/02					2 OF
sheet	revision			appd	JENN TSAO 02/20/02					
index	sheet									

PDM: Rev:D STATUS: Released Printed: Jul 14, 2009

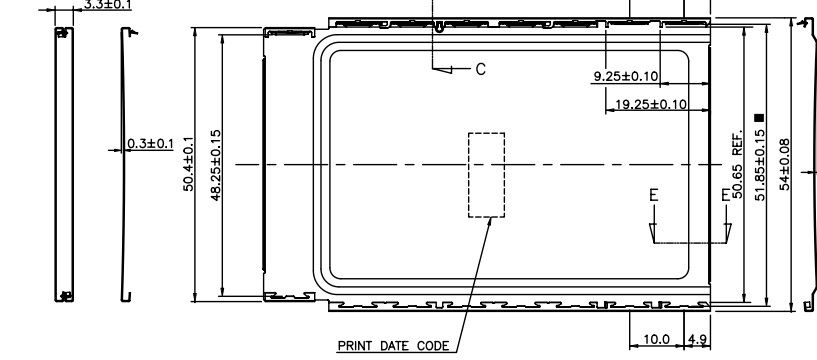
Tous droits strictement réservés. Reproduction ou communication a des tiers int sans aucune forme que ce soit sans autorisation écrite du propriétaire.
 Droits de reproduction BERG ELECTRONICS BV

All rights strictly reserved. Reproduction or issue to third parties in any form without written authority from the proprietor.
 Copyright BERG ELECTRONICS BV

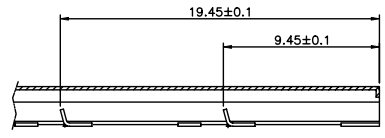
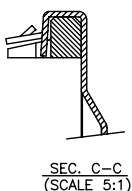
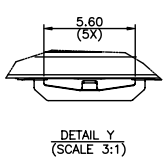
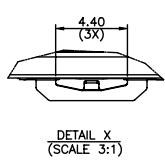
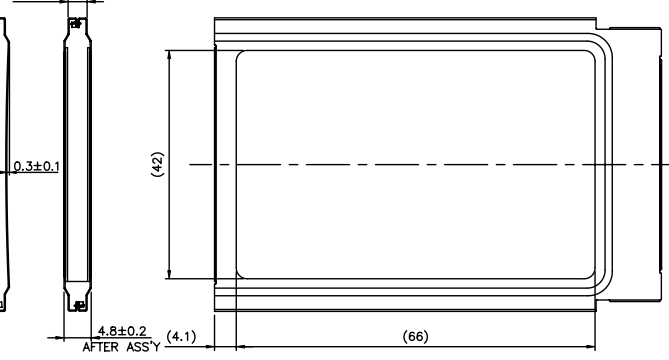
PRODUCT NUMBER
57924-003



VIEW OF 2 ASSEMBLED CARDSHIELDS



VIEW OF 2 ASSEMBLED CARDSHIELDS



SEC. E-E
(SCALE 3:1)

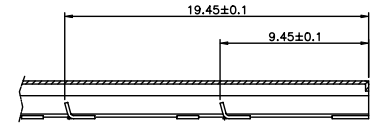
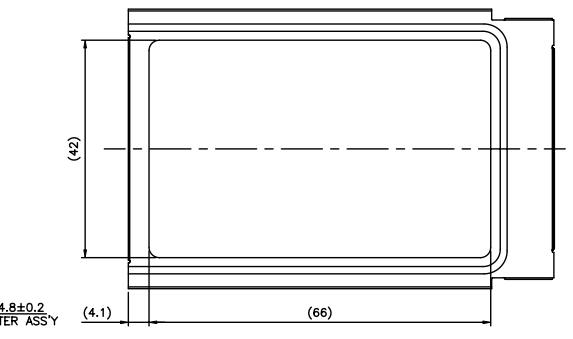
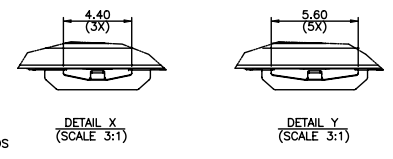
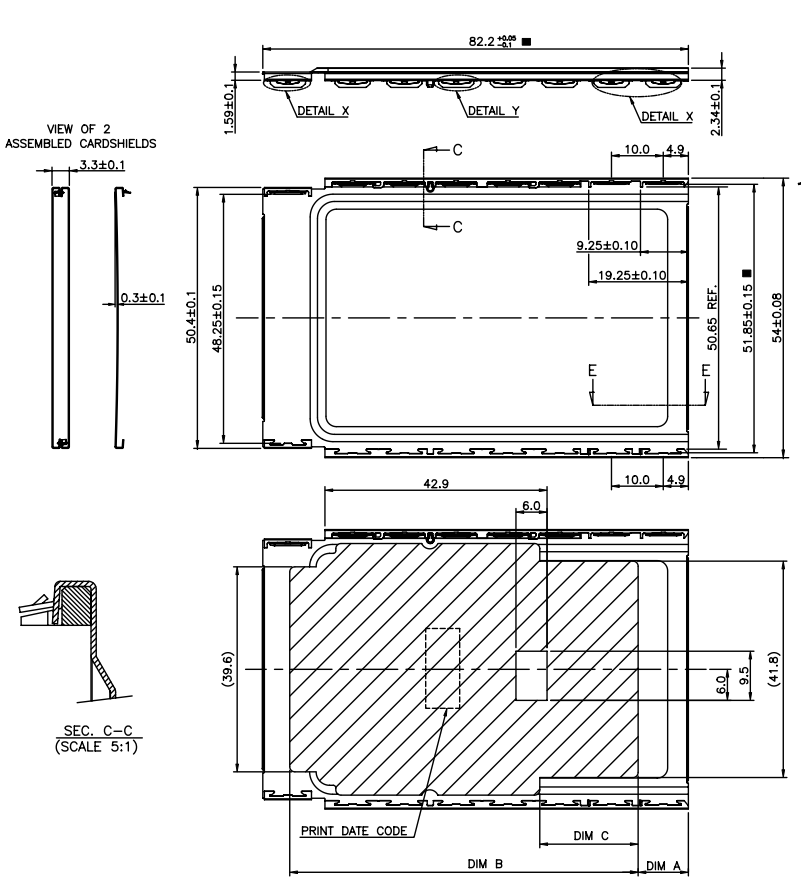
NOTE: 1. ■ : CPK MARK >= 1.5

mat'l code		tolerance unless otherwise specified		CUSTOMER		 www.fciconnect.com	
rev.	ecr no.	dr	date	linear	X. ±0.3	COPY	title
C					.X ±0.13	projection	ROCARD SHIELD
					.XX ±0.05		
				angles	±2°		
		dr	WENDY CHEN	05/20/02	unit	product family	PCMCIA
		engr	SUNNY LIN	05/20/02	mm/inch	size	dwg no.
		chr	SUNNY LIN	05/20/02	scale	A3	57924
		appd	JENN TSAO	05/20/02			sheet
sheet	revision						3 OF
index	sheet						

Tous droits strictement réservés. Reproduction ou communication a des tiers int sans quelque forme que ce soit sans autorisation écrite du propriétaire.
 Droits de reproduction BERG ELECTRONICS BV

All rights strictly reserved. Reproduction or issue to third parties is any for whatever is not permitted without written authority from the proprietor.
 Copyright BERG ELECTRONICS BV

PRODUCT NUMBER	DIM A	DIM B	DIM C
57924-004	9.7±1.0	67.3 REF	19.0 REF



NOTE: 1. ■ : CPK MARK >= 1.5

mat'l code		tolerance unless otherwise specified		CUSTOMER COPY		FCI www.fciconnect.com		
rev.	ecrn	no.	dr	date	linear	X ±0.3	projection	
C						.X ±0.13	title	
						.XX ±0.05	ROCARD SHIELD	
					angles	±2°	product family	
					dr	WENDY CHEN 01/16/03	PCMCIA	
					engr	DAVID TENG 01/16/03	code	
					chr	TONY CHIEN 01/16/03	size	
					appd	JENN TSAO 01/16/03	dwg no.	
							A3	
							57924	
sheet	revision							scale
index	sheet							4 OF