



Copyright FCI

PRODUCT NO. 92789-XXXX	STAND OFF DIM "M"(mm)	HDR SOLDER TAIL	HOLD DOWN	Q'TY	GUIDE ASSY 92791-XXXX	HDR ASSY 92140-XXXX	DIM "P" (mm)	HDR COLOR	SHEET NO.	MOUNT STYLE TO PCB
000	0	R/A	NONE		001	000	2.8	BLACK	NO.2	TOP MOUNT
000H	0	R/A	93925-001	4	001H	000H	2.8	BLACK		
001	0	SMT STAGGERED	NONE		001	001	--	BLACK		
001H	0	SMT STAGGERED	93925-001	4	001H	001H	--	BLACK		
002	0	SMT IN LINE	NONE		001	002	--	BLACK		
002H	0	SMT IN LINE	93925-001	4	001H	002H	--	BLACK		
020	2 (NO LOCATOR)	R/A	NONE		021	040	2.5	BLACK	NO.3	
040	4	R/A	NONE		041	010	2.8	BLACK		
040H	4	R/A	93925-003	4	041H	010H	2.8	BLACK		
050	5	R/A	NONE		051	020	2.8	BLACK	NO.4	BOTTOM MOUNT
050H	5	R/A	93925-004	4	051H	020H	2.8	BLACK		
500	0	R/A	NONE		001	500	2.8	NATURAL	NO.5	
500H	0	R/A	93925-001	4	001H	500H	2.8	NATURAL		
501	0	SMT STAGGERED	NONE		001	501	--	NATURAL		
501H	0	SMT STAGGERED	93925-001	4	001H	501H	--	NATURAL		
502	0	SMT IN LINE	NONE		001	502	--	NATURAL		
502H	0	SMT IN LINE	93925-001	4	001H	502H	--	NATURAL		
520	2 (NO LOCATOR)	R/A	NONE		021	540	2.5	NATURAL	NO.5	
540	4	R/A	NONE		041	510	2.8	NATURAL		
550	5	R/A	NONE		051	520	2.8	NATURAL		
550H	5	R/A	93925-004	4	051	520H	2.8	NATURAL		

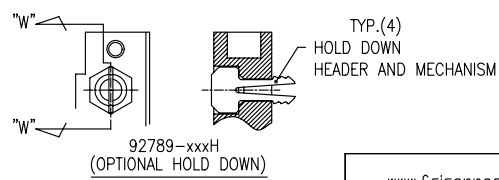
NOTE
 ① OPTIONAL HOLD DOWN (-XXH) CAN BE SELECTED FOR ONLY 0mm STAND OFF (-XXH) VARIATION.
 ② SMT STAGGERED & IN LINE (-XXIX & -XXIX) ARE ASSIGNED TO ONLY 0mm STAND OFF (-XXIX) VARIATION.
 3. ASSY PROCESS
 3.1 TO MOUNT PART ② ON PWB WITH SCREW (S1,S2) AND SOLDER.
 3.2 TO JOINT PART ② INTO PART ②, THEN FIX PART ② WITH 2 SCREWS (S3,S4).
 ③ MATERIAL
 4.1 PART ② (HEADER ASSY)
 HOUSING : LCP UL94V-0
 PIN : PHOSPHOR BRONZE
 HOLD DOWN : BRASS
 4.2 PART ② (GUIDE ASSY)
 GUIDE : POLYPHTHAMIDE UL94V-0
 PLATE : STAINLESS
 EMI CONTACT : PHOSPHOR BRONZE
 HOLD DOWN : BRASS
 ④ FINISH
 HDR PIN : *0.5µm MIN. NI OVER ALL UNDER PLATING
 *0.1µm MIN. Au OVER 0.5µm MIN. Pd-NI CONTACT AREA
 *2.5µm MIN. Sn-Pb SOLDER TAIL OR 2.5µm MIN. Sn (FOR -XXXXLF) SOLDER TAIL
 EMI CONTACT : PRE-PLATING
 *0.5µm MIN. NI OVER ALL UNDER PLATING
 *0.5µm MIN. Au CONTACT AREA
 HOLD DOWN : 2.5µm MIN. Sn OVER ALL.
 6. DIM L

4.25±0.1	3.5±0.1	5.0±0.1
OTHERS	36.67	33.5

 7. GENERAL TOLERANCE : ±0.3
 8. SEE SHEET 1,2. REGARDING COMPONENTS.
 9. THIS PRODUCT MEETS EUROPEAN UNION DIRECTIVES AND OTHER COUNTRY REGULATIONS AS DESCRIBED IN GS-22-008.

* 92789-XXXX
 NOTE ① OPTIONAL LEAD FREE
 NOTE ② OPTIONAL HOLD DOWN
 NOTE ③ HDR SOLDER TAIL
 STAND OFF HEIGHT (DIM "M")
 MOUNT STYLE TO PCB

NONE : N □
 LF : YES
 NONE : N □
 H : YES/SEE FIGURE OF -XXXXH
 0 : R/A
 1 : SMT STAGGERED
 2 : SMT IN LINE
 0 : 0mm(NONE)
 2 : 2mm
 4 : 4mm
 5 : 5mm
 0 : TOP MOUNT
 5 : BOTTOM MOUNT



rev	ecn no	dr	date
J	005-0215	MH	4/11/05
K	005-0128	vB J	05/19/05
L	007-0114	CM	05/14/07
M	009-0381	SH	11/30/09

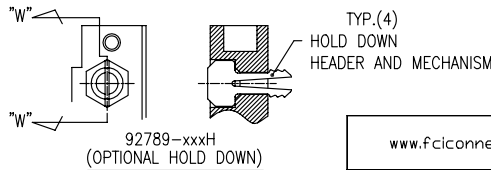
www.fciconnect.com		surface	tolerance std	projection	MM
Dr: M.Hasegawa 4/11/05		ANGULAR	0.X ± 0.3	size	Scale
Eng: M.Hasegawa 4/11/05		LINEAR	0.XX ± 0.15	ECN	
Chr: M.Hasegawa 4/11/05		0° ± 2°	0.XXX ± 0.08	Spec ref	
Appr:		Product family	Header P/MOXA SANF		
FCI		title 68P LONG HEADER TYPE I / II / III (WITH EMI CLIP)		part no 92789	Rev. M
		catalog no CUSTOMER DRAWING		sheet 1 of 7	

REV E - 200-00-00

PRODUCT NO. 92789-XXXX	STAND OFF DIM "M"(mm)	HDR SOLDER TAIL	HOLD DOWN		GUIDE ASSY 92791-XXXX	HDR ASSY 92140-XXXX	DIM "P" (mm)	HDR COLOR	SHEET NO.	MOUNT STYLE TO PCB
				Q'TY						
000LF	0	R/A	NONE		001LF	000	2.8	BLACK	NO.2	TOP MOUNT
000HLF	0	R/A	YES	4	001HLF	000H	2.8	BLACK		
001	0	SMT STAGGERED	NONE		001	001	—#—	BLACK		
001H	0	SMT STAGGERED	YES	4	001H	001H	—#—	BLACK		
002	0	SMT IN LINE	NONE		001	002	—#—	BLACK		
002H	0	SMT IN LINE	YES	4	001H	002H	—#—	BLACK		
020LF	2 (NO LOCATOR)	R/A	NONE		021LF	040	2.5	BLACK	NO.3	BOTTOM MOUNT
040LF	4	R/A	NONE		041LF	010	2.8	BLACK		
040HLF	4	R/A	YES	4	041HLF	010H	2.8	BLACK		
050LF	5	R/A	NONE		051LF	020	2.8	BLACK		
050HLF	5	R/A	YES	4	051HLF	020H	2.8	BLACK		
055LF	5	R/A	YES	2	051MH	021MLF	2.8	BLACK		
500LF	0	R/A	NONE		001LF	500	2.8	NATURAL	NO.4	BOTTOM MOUNT
500HLF	0	R/A	YES	4	001HLF	500H	2.8	NATURAL		
501	0	SMT STAGGERED	NONE		001	501	—#—	NATURAL		
501H	0	SMT STAGGERED	YES	4	001H	501H	—#—	NATURAL		
502	0	SMT IN LINE	NONE		001	502	—#—	NATURAL		
502H	0	SMT IN LINE	YES	4	001H	502H	—#—	NATURAL		
520LF	2 (NO LOCATOR)	R/A	NONE		021LF	540LF	2.5	NATURAL	NO.5	
540LF	4	R/A	NONE		041LF	510LF	2.8	NATURAL		
550LF	5	R/A	NONE		051LF	520LF	2.8	NATURAL		
550HLF	5	R/A	YES	4	051LF	520HLF	2.8	NATURAL		
540HLF	4	R/A	YES	4	041HLF	510HLF	2.8	NATURAL		

- NOTE
- ① OPTIONAL HOLD DOWN (—XXXH) CAN BE SELECTED FOR ONLY 0mm STAND OFF (—XXH) VARIATION.
 - ② SMT STAGGERED & IN LINE (—XX1X & —XX2X) ARE ASSIGNED TO ONLY 0mm STAND OFF (—XX) VARIATION.
3. ASSY PROCESS
- 3.1 TO MOUNT PART ③ ON PWB WITH SCREW (S1,S2) AND SOLDER.
 - 3.2 TO JOINT PART ③ INTO PART ④, THEN FIX PART ④ WITH 2 SCREWS (S3,S4).
- ④ MATERIAL
- 4.1 PART ③ (HEADER ASSY)
 - HOUSING : LCP UL94V-0
 - PIN : PHOSPHOR BRONZE
 - HOLD DOWN : BRASS
 - 4.2 PART ④ (GUIDE ASSY)
 - GUIDE : POLYPHTHARAMID UL94V-0
 - PLATE : STAINLESS
 - EMI CONTACT : PHOSPHOR BRONZE
 - HOLD DOWN : BRASS
- ⑤ FINISH
- HDR PIN : *0.5µm MIN. Ni OVER ALL UNDER PLATING
*0.1µm MIN. Au OVER 0.5µm MIN. Pd-Ni CONTACT AREA
OR 2.5µm MIN. Sn-Pb SOLDER TAIL
OR 2.5µm MIN. Sn (FOR —XXXLF) SOLDER TAIL
 - EMI CONTACT : PRE-PLATING
*0.5µm MIN. Ni OVER ALL UNDER PLATING
*0.5µm MIN. Au CONTACT AREA.
 - HOLD DOWN : 2.5µm MIN. Sn OVER ALL.
6. DIM L*
- | | | |
|----------|---------|------------|
| 4.25±0.1 | 3.5±0.1 | 5.0±0.1 |
| OTHERS | 36.67 | 36.51±0.08 |
7. GENERAL TOLERANCE : ±0.3
8. SEE SHEET 1,2. REGARDING COMPONENTS.
9. THIS PRODUCT MEETS EUROPEAN UNION DIRECTIVES AND OTHER COUNTRY REGULATIONS AS DESCRIBED IN GS-22-00B.

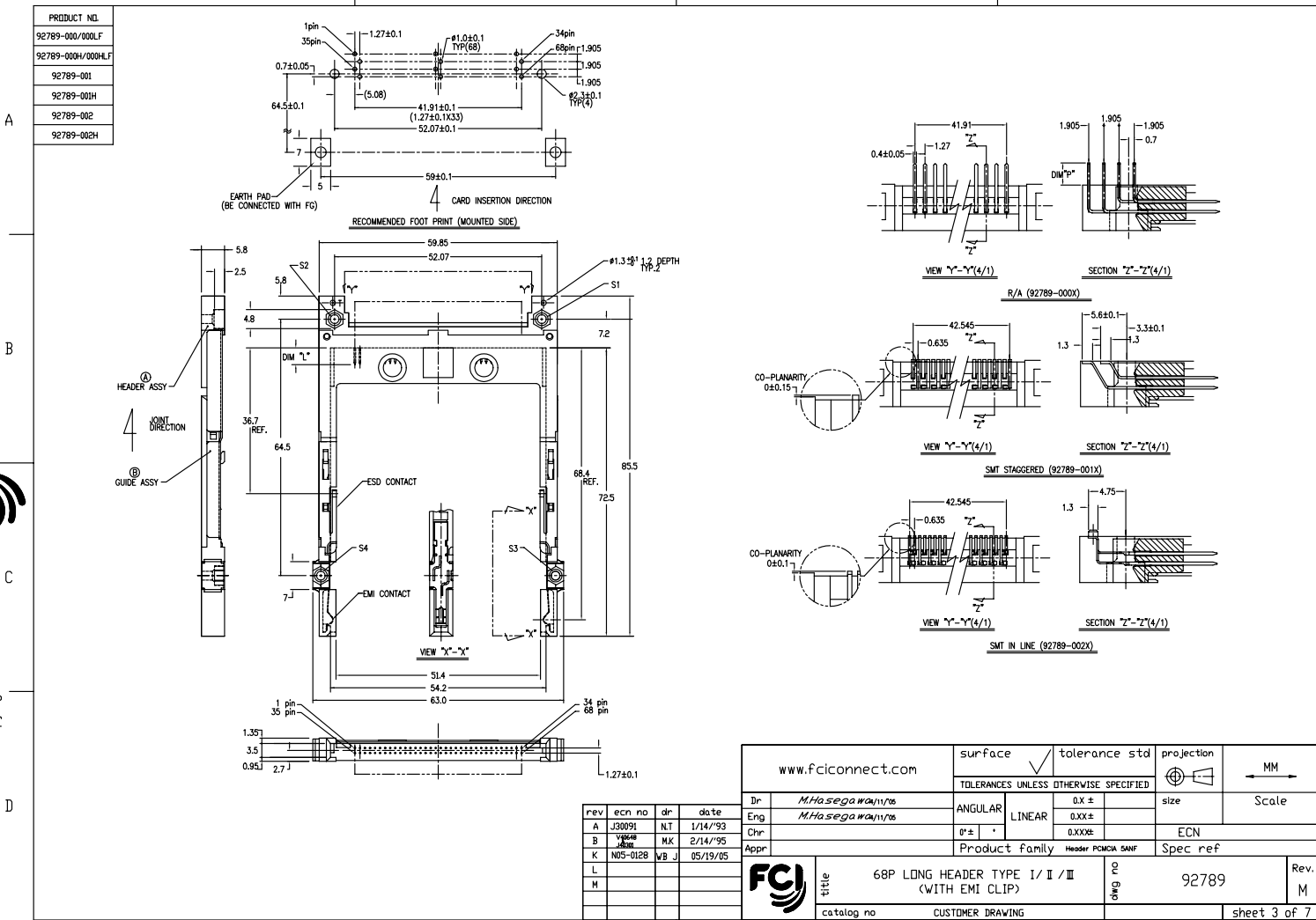
- 92789-XXXX
- NOTE ① OPTIONAL LEAD FREE
 - NOTE ② OPTIONAL HOLD DOWN
 - NOTE ③ HDR SOLDER TAIL
 - STAND OFF HEIGHT (DIM "M")
 - MOUNT STYLE TO PCB
- NONE : N D
 - LF : YES
 - NONE : N D
 - H : YES/SEE FIGURE OF —XXXH
 - 0 : R/A
 - 1 : SMT STAGGERED
 - 2 : SMT IN LINE
 - 0 : 0mm(NONE)
 - 2 : 2mm
 - 4 : 4mm
 - 5 : 5mm
 - 0 : TOP MOUNT
 - 5 : BOTTOM MOUNT



rev	ecn no	dr	date
J	005-0215	MH	4/11/05
K	N05-0128	v/b J	05/19/05
L	N07-0114	CM	05/14/07

www.fciconnect.com		surface	tolerance std	projection	MM
		TOLERANCES UNLESS OTHERWISE SPECIFIED			Scale
Dr	M.Hasegawa/n/s	ANGULAR	LINEAR	size	ECN
Eng	M.Hasegawa/n/s	0°±	°	0.XX±	Spec ref
Chr		Product family		Header PDMCIA SANF	
Appr					
FCI		title		92789	Rev. M
		68P LONG HEADER TYPE I / II / III (WITH EMI CLIP)			
catalog no		CUSTOMER DRAWING		sheet 2 of 7	

1 2 3 4



Copyright FCI.

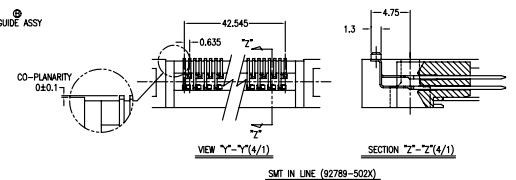
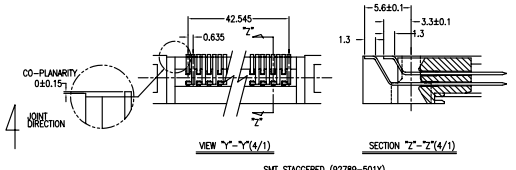
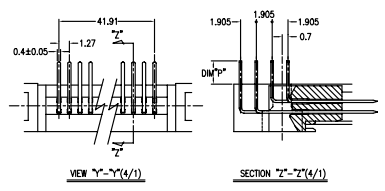
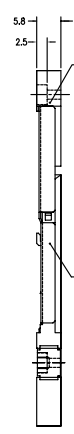
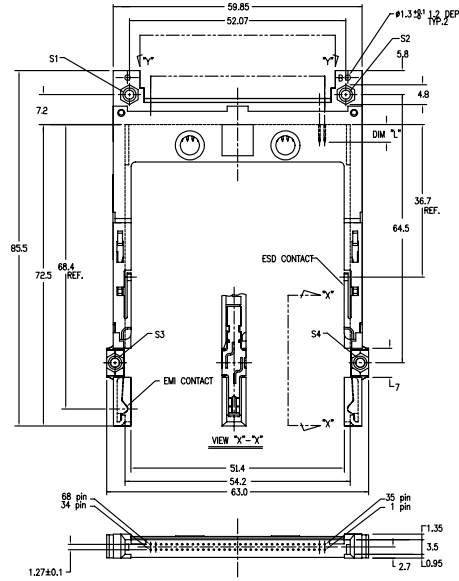
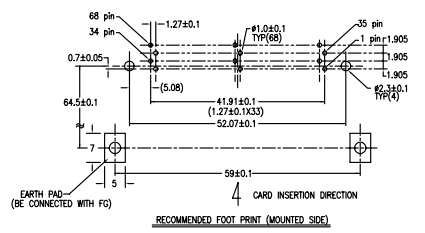
rev	ecn no	dr	date
A	J30091	NT	1/14/93
B	Y8648	M.K	2/14/95
K	N05-0128	VB J	05/19/05
L			
M			

www.fciconnect.com		surface	tolerance std	projection	MM
Dr <i>M.Hasegawa</i>		TOLERANCES UNLESS OTHERWISE SPECIFIED		size	Scale
Eng <i>M.Hasegawa</i>		ANGULAR	0.X ±	ECN	
Chr		LINEAR	0.XX ±	Spec ref	
Appr		Product family	Header PCMCIA 5MM		
FCI		title 68P LONG HEADER TYPE I/I/III (WITH EMI CLIP)		dwg no 92789	Rev. M
catalog no		CUSTOMER DRAWING		sheet 3 of 7	

3 PDM: Rev:M STATUS Released 4 Printed: Oct 12, 2010

1 2 3 4

PRODUCT NO.	92789-500/500LF
92789-501	
92789-501H	
92789-502	
92789-502H	



www.fciconnect.com		surface	tolerance std	projection	MM
		TOLERANCES UNLESS OTHERWISE SPECIFIED		size	Scale
Dr	M.Hasegawa/n/y/s	ANGULAR	0.X ±		
Eng	M.Hasegawa/n/y/s	LINEAR	0.XX ±		
Chr			0.XXX ±		
Appr		Product family	Header PCMCIA SANF	ECN	
FCI		title	68P LONG HEADER TYPE I / II / III (WITH EMI CLIP)	92789	Rev. M
		catalog no	CUSTOMER DRAWING	sheet 5 of 7	

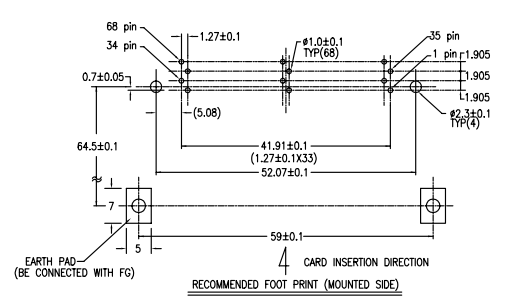
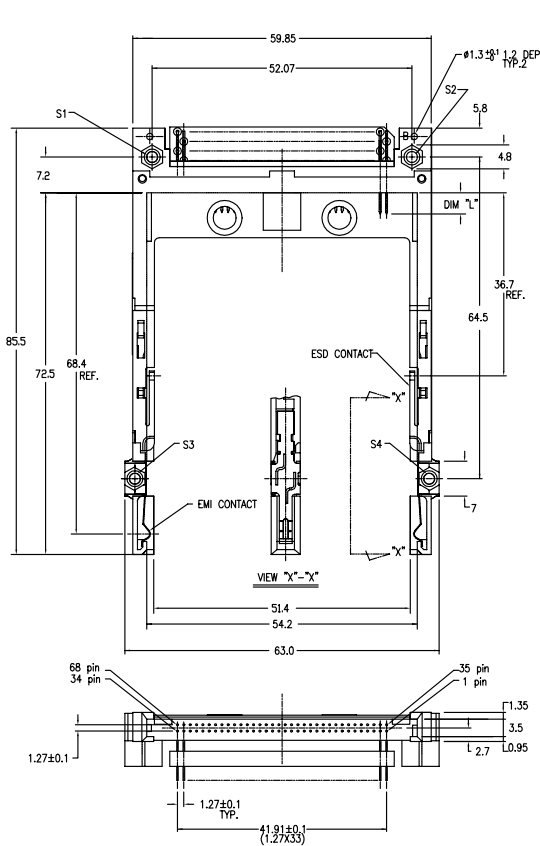
rev	ecn no	dr	date
A	J30091	N.T	1/14/93
B	J30110	N.T	4/6/93
C	Y9949	M.K	2/14/95
K	N05-0128	W.B.J	05/19/05
L			
M			

PDM: Rev:M STATUS Released 4 Printed: Oct 12, 2010



Copyright FCI.

PRODUCT NO.	
92789-520/520LF	△
92789-540/540LF/540HLF	△
92789-550/550LF	△
92789-550H/550HLF	△



rev	ecn no	dr	date
A	J3091	NT	1/14/93
B	J3091	MK	2/14/95
C	J03-0307	MH	7/16/93
K	N05-0128	VB J	05/19/05
L	N07-0114	CM	05/14/07
M			

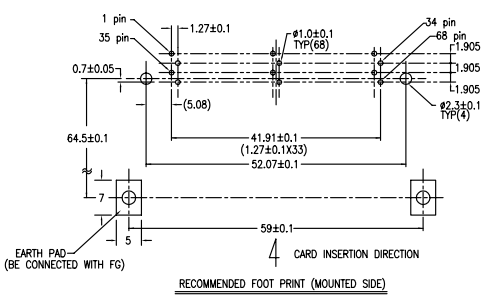
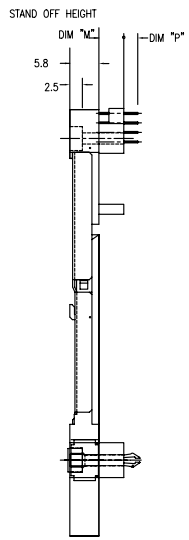
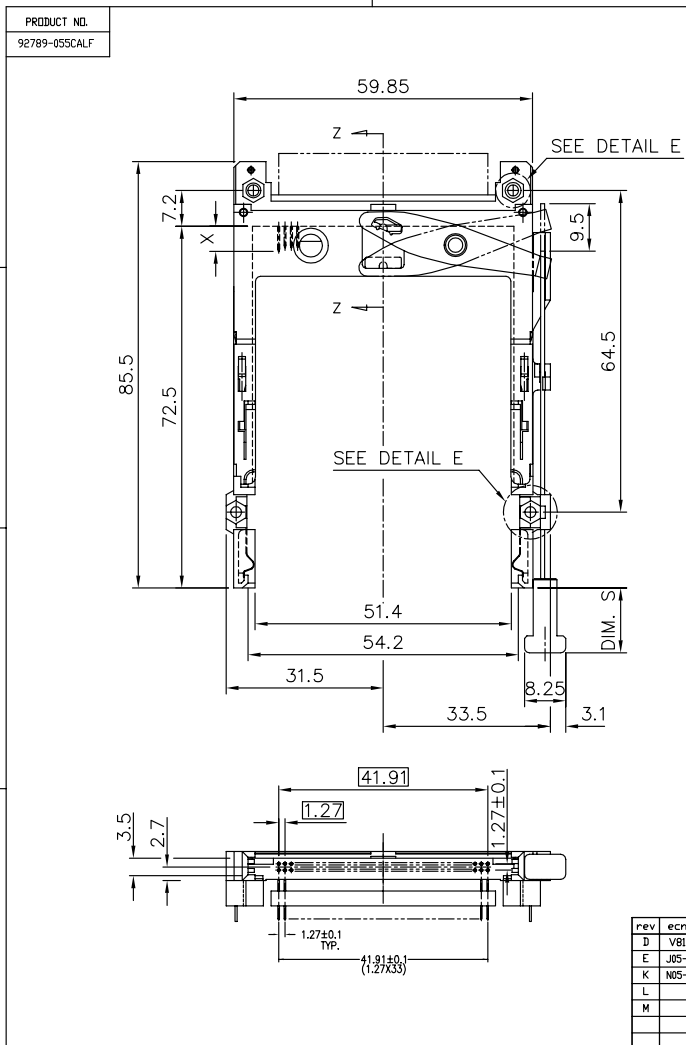
www.fciconnect.com		surface	tolerance std	projection	MM
Dr: M.Hasegawa/mr		TOLERANCES UNLESS OTHERWISE SPECIFIED		size	Scale
Eng: M.Hasegawa/mr		ANGULAR	LINEAR	0.X ±	0.XXX ±
Chr:		0° ±	*	0.XXX ±	ECN
Appr:		Product family		Header: PCMCIA 5MM	Spec ref
title		68P LONG HEADER TYPE I / II / III (WITH EMI CLIP)		92789	Rev. M
catalog no		CUSTOMER DRAWING		sheet 6 of 7	

PDM: Rev:M STATUS Released 4 Printed: Oct 12, 2010

Copyright FCI



Copyright FCI.



rev	ecn no	dr	date
D	V81446	SK	11/13/98
E	J05-0198	NH	4/7/05
K	N05-0128	VB	05/19/05
L			
M			

www.fciconnect.com		surface	tolerance std	projection	MM
Dir: M.Hasegawa/n/r/s		TOLERANCES UNLESS OTHERWISE SPECIFIED		size	Scale
Eng: M.Hasegawa/n/r/s		ANGULAR	LINEAR		
Chr:		° ±		0.XXX ±	ECN
Appr:		Product family		Header: PCMDA SANF	
FCI		title		Spec ref	
		68P LONG HEADER TYPE I / II / III (WITH EMI CLIP)		92789	
		catalog no		CUSTOMER DRAWING	
				sheet 7 of 7	

PDM: Rev:M STATUS Released 4 Printed: Oct 12, 2010