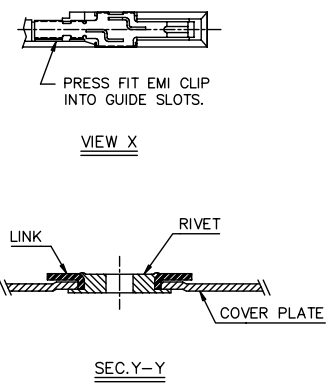
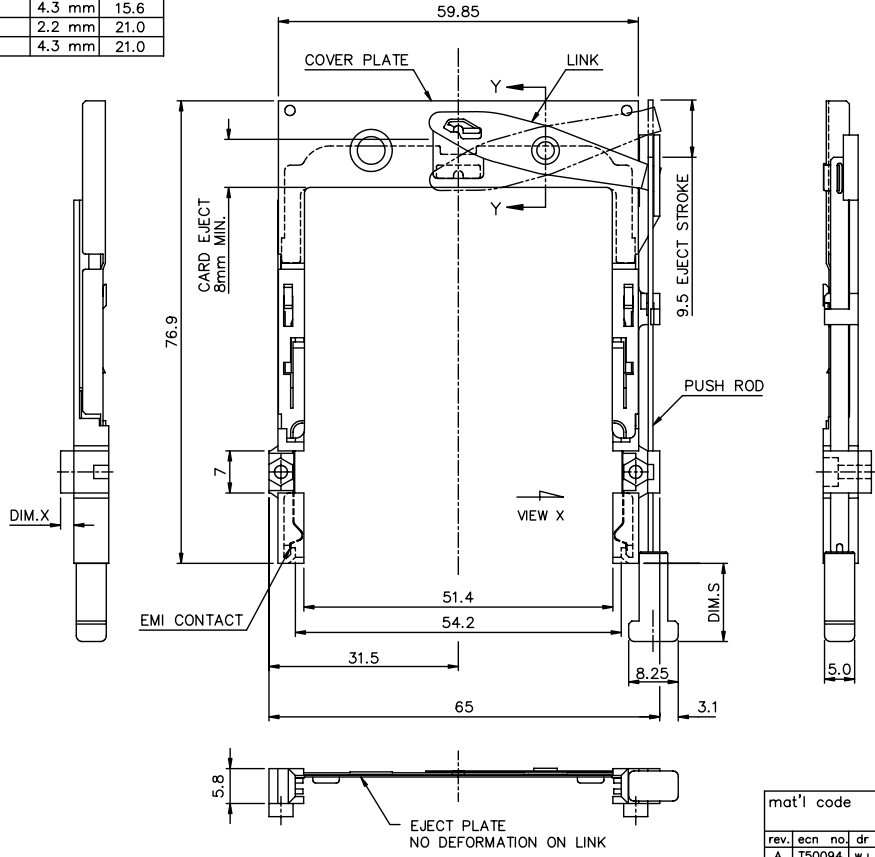


All rights strictly reserved. Reproduction or issue to third parties in any form or by any means, electronic or mechanical, including photocopying, recording, or by any information storage and retrieval system, is prohibited without written authority from the proprietor.  
 Copyright © BERG ELECTRONICS S.p.A.

PRODUCT NUMBER	DIM. X	DIM. S
91113-02CA	2.2 mm	13.0
91113-04CA	4.3 mm	13.0
91113-02DA	2.2 mm	15.6
91113-04DA	4.3 mm	15.6
91113-02FA	2.2 mm	21.0
91113-04FA	4.3 mm	21.0



- NOTE:
- EJECT PLATE TO MOVE ALONG INSIDE WALL OF COVER PLATE SMOOTHLY AFTER ASSEMBLING WITH HEADER.
  - MATERIAL :  
 PLASTIC GUIDES : POLYPHTHARAMIDE UL94V-0 BLACK  
 COVER PLATE : STAINLESS STEEL  
 EMI CONTACT : PHOSPHOR BRONZE
  - FINISH :  
 EMI CONTACT  
 CONTACT AREA 0.5 mm Au.  
 UNDERPLATING 1.0 mm Ni.

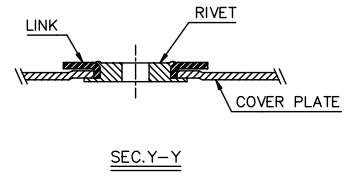
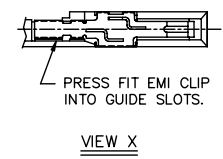
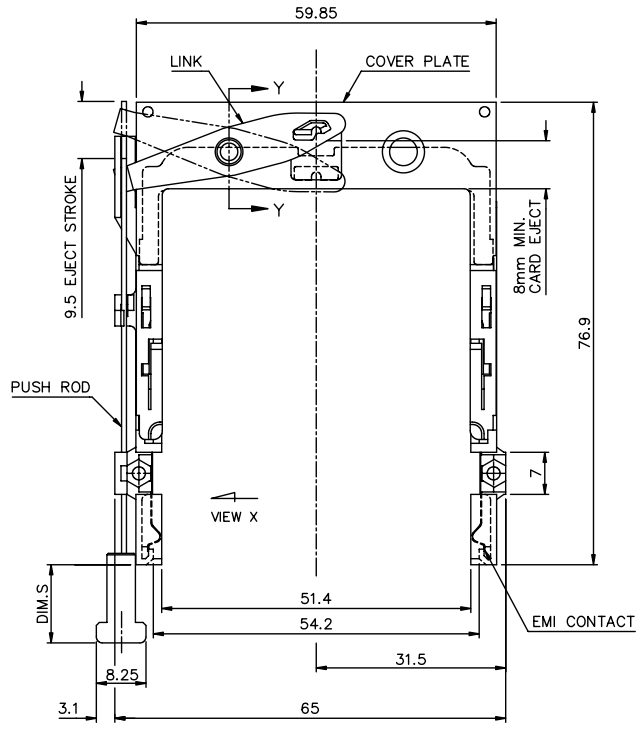
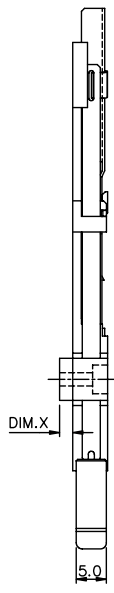
mat'l code		tolerance unless otherwise specified		CUSTOMER COPY		FCI	
rev.	ecn no.	dr	date	linear	±0.30	projection	title
A	T50094	w L	04/06/95				NARROW BODY FRONT EJECT
B	T20234	w L	07/25/02				TYPE 1/2/3 MECHANISM ASS'Y
C	N06-0034	M Z	02/13/06	angles	± 2°		
		dr	WENDY CHEN 02/13/95	unit	mm/inch	product family	PCMCIA
		enrg	JOSEPH HSIA 02/13/95	size	dwg no.		code
		chr	JOSEPH HSIA 02/13/95	scale	1:5:1	A3	91113
		appd	D. K. WANG 02/13/95				sheet 1 OF 2
sheet index	revision sheet	C	C				
		1	2				

Tous droits strictement réservés. Reproduction ou communication à des tiers sans autorisation écrite du propriétaire. FCI ELECTRONICS

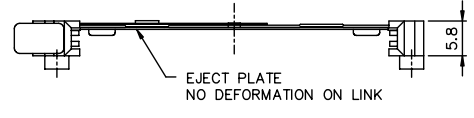


All rights strictly reserved. Reproduction or issue to third parties in any form without the prior written authority from the proprietor. FCI ELECTRONICS

PRODUCT NUMBER	DIM. X	DIM. S
91113-12CA	2.2 mm	13.0
91113-12CALF	2.2 mm	13.0
91113-14CA	4.3 mm	13.0
91113-12DA	2.2 mm	15.6
91113-14DA	4.3 mm	15.6
91113-12FA	2.2 mm	21.0
91113-14FA	4.3 mm	21.0



- NOTE:
- EJECT PLATE TO MOVE ALONG INSIDE WALL OF COVER PLATE SMOOTHLY AFTER ASSEMBLING WITH HEADER.
  - MATERIAL :  
PLASTIC GUIDES : POLYPHTHARAMIDE UL94V-0 BLACK  
COVER PLATE : STAINLESS STEEL  
EMI CONTACT : PHOSPHOR BRONZE
  - FINISH :  
EMI CONTACT  
CONTACT AREA 0.5 mm Au.  
UNDERPLATING 1.0 mm Ni.



mat'l code		tolerance unless otherwise specified		CUSTOMER COPY		 www.fciconnect.com	
rev.	ecn no.	dr	date	linear	±0.30	projection	title
C				angles	± 2°		NARROW BODY FRONT EJECT TYPE 1/2/3 MECHANISM ASS'Y
				dr	WENDY CHEN 02/13/99	unit	product family PCMCIA
				enrg	JOSEPH HSIA 02/13/99	mm/inch	code
				chr	JOSEPH HSIA 02/13/99	scale	size
				appd	D. K. WANG 02/13/99	1.5:1	dwg no. 91113
sheet	revision						
index	sheet						sheet 2 of