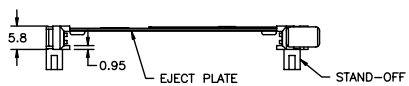
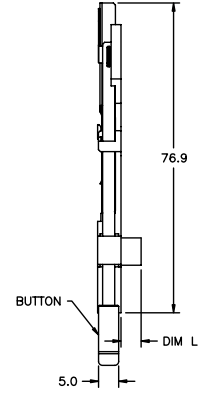
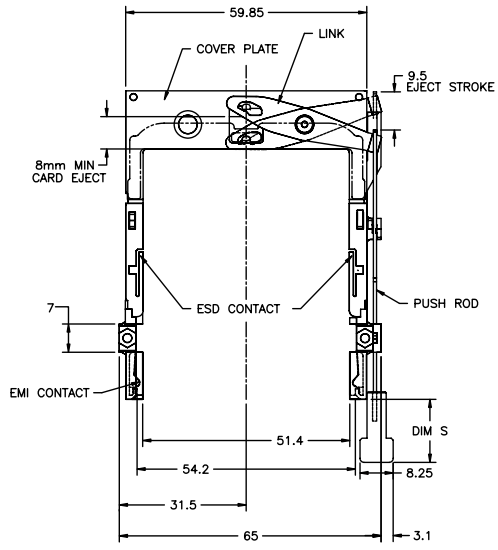


FCI CONFIDENTIAL

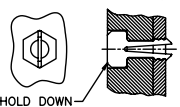
FCI

This document is the property of and embodies CONFIDENTIAL and PROPRIETARY information of FCI. No part of this information shall be disclosed, copied, reproduced, or transmitted in any form or by any means without the written consent of FCI. Copyright FCI.

PRODUCT NO. NOTE ⑤	STAND-OFF DIM L	DIM S	BUTTON COLOR
95079-00CA	0	13	BLACK
95079-02CA	2		
95079-02CALF	2		
95079-04CA	4		
95079-05CA	5	15.6	BLACK
95079-00DA	0		
95079-02DA	2		
95079-04DA	4		
95079-05DA	5	21	BLACK
95079-00FA	0		
95079-02FA	2		
95079-04FA	4		
95079-05FA	5	13	NATURAL
95079-00CH	0		
95079-02CH	2		
95079-04CH	4		
95079-05CH	5	15.6	NATURAL
95079-00DH	0		
95079-02DH	2		
95079-04DH	4		
95079-05DH	5	21	NATURAL
95079-00FH	0		
95079-02FH	2		
95079-04FH	4		
95079-05FH	5		



- NOTES:
- EJECT PLATE TO MOVE ALONG INSIDE WALL OF COVER PLATE SMOOTHLY AFTER ASSEMBLING WITH HEADER.
 - MATERIAL:
PLASTIC GUIDES: POLYPHTHARAMIDE UL94V-0 BLACK
COVER PLATE: STAINLESS STEEL
EMI CONTACT: PHOSPHOR BRONZE
 - FINISH:
EMI CONTACT:
CONTACT AREA: 0.5um Au
UNDER PLATING: 2.0um Ni
 - ADD "H" TO PART NUMBER FOR OPTIONAL HOLD-DOWN (2 PER ASSEMBLY).



5 RECOMMENDED SCREW TORQUE: 1.0 TO 1.5 MAX in-lbs. (1.2-1.7 cm-kgs).

mat'l. code		surface		tolerance		projection		product family	
F	V91417	CGC	7/2/99	tolerances unless otherwise specified		MM		title	
G	V03-0522	WL	05/29/03	angles	linear	scale		NARROW BODY FRONT EJECT TYPE 123 MECHANISM ASS'Y	
H	T03-0485	WL	11/03/03	±2'				dwg no 95079 sheet 1 of 3 size A4	
J	N06-0034	M Z	02/13/06	chr	Mike Zhou	05/28/06		type CUSTOMER Drawing	
K	N06-0135	M Z	05/25/06	engr	Mike Zhou	05/28/06			
L	N06-0110	M Z	06/29/06	chr	Mike Zhou	05/28/06			
sheet index		revision sheet	L K A	1 2 3					

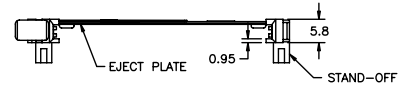
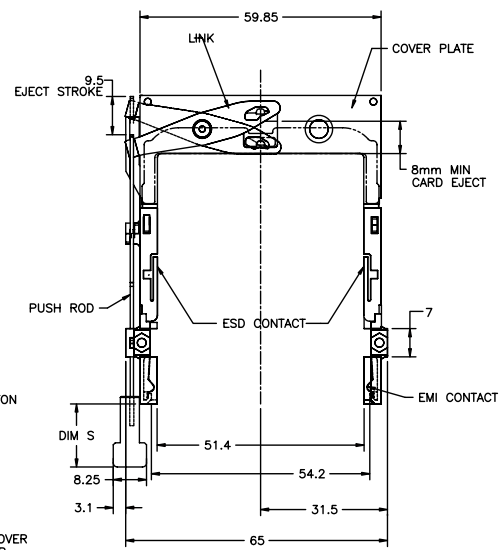
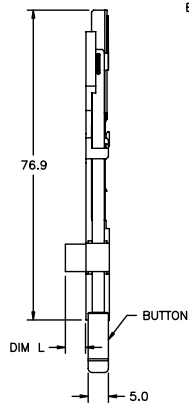
FCI CONFIDENTIAL

FCI

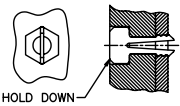
FCI

D

PRODUCT NO. NOTE ③	STAND-OFF DIM L	DIM S	BUTTON COLOR
95079-10CA	0	13	BLACK
95079-10CALF	0		
95079-12CA	2		
95079-14CA	4		
95079-15CA	5		
95079-15CAH	5	15.6	BLACK
95079-10DA	0		
95079-12DA	2		
95079-14DA	4		
95079-15DA	5		
95079-10FA	0	21	BLACK
95079-12FA	2		
95079-14FA	4		
95079-15FA	5		
95079-10CH	0		
95079-12CH	2		
95079-14CH	4		
95079-15CH	5		
95079-10DH	0	15.6	NATURAL
95079-12DH	2		
95079-14DH	4		
95079-15DH	5		
95079-10FH	0		
95079-12FH	2		
95079-14FH	4		
95079-15FH	5		



- NOTES:
- EJECT PLATE TO MOVE ALONG INSIDE WALL OF COVER PLATE SMOOTHLY AFTER ASSEMBLING WITH HEADER.
 - MATERIAL:
PLASTIC GUIDES: POLYPHTHARAMIDE UL94V-0 BLACK
COVER PLATE: STAINLESS STEEL
EMI CONTACT: PHOSPHOR BRONZE
 - FINISH:
EMI CONTACT:
CONTACT AREA: 0.5um Au
UNDER PLATING: 2.0um Ni
 - ADD "H" TO PART NUMBER FOR OPTIONAL HOLD DOWN (2 PER ASSEMBLY).



- 5 RECOMMENDED SCREW TORQUE: 1.0 TO 1.5 MAX in-lbs. (1.2-1.7 cm-kgs).

mat'l. code	surface	tolerance	projection	product family
ltr	ecr	no	dr	date
tolerances unless otherwise specified				title
K	angles	linear	±0.15	NARROW BODY FRONT EJECT TYPE 123 MECHANISM ASS'Y
	±2'	scale	MM	
	dr	Mike Zhou	05/28/06	
	engr	Mike Zhou	05/28/06	dwg no
	chr	Mike Zhou	05/28/06	95079
	appd	Qin David	05/28/06	sheet2of3 size
sheet	revision			A4
index	sheet			type CUSTOMER Drawing

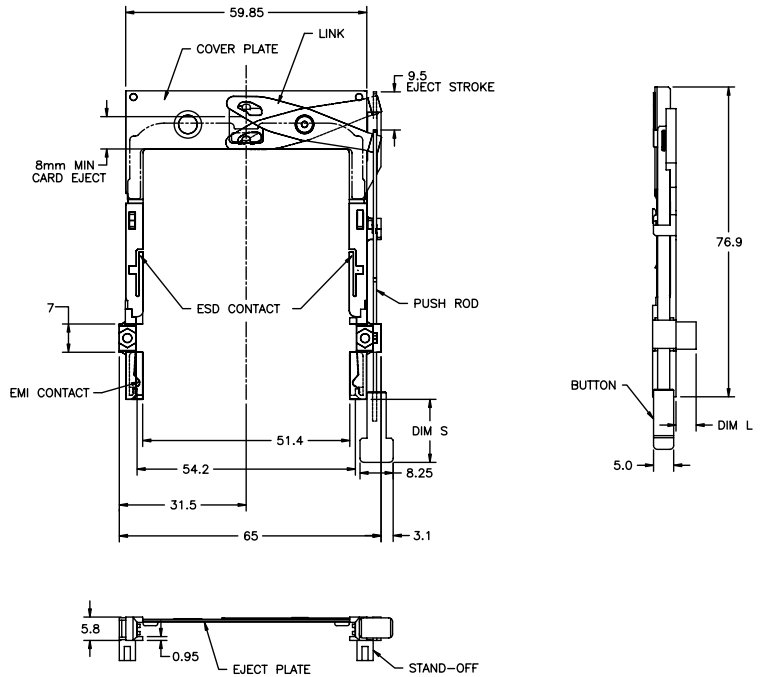
FCI CONFIDENTIAL



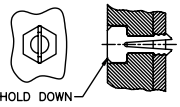
FCIconnect.com

Copyright FCI

PRODUCT NO. NOTE ⑤	STAND-OFF DIM L	DIM S	BUTTON COLOR
95079-00MCA	0	13	BLACK



- NOTES:
- EJECT PLATE TO MOVE ALONG INSIDE WALL OF COVER PLATE SMOOTHLY AFTER ASSEMBLING WITH HEADER.
 - MATERIAL:
PLASTIC GUIDES: POLYPHTHARAMIDE UL94V-0 BLACK
COVER PLATE: STAINLESS STEEL
EMI CONTACT: PHOSPHOR BRONZE
 - FINISH:
EMI CONTACT:
CONTACT AREA: 0.5um Au
UNDER PLATING: 2.0um Ni
 - ADD "H" TO PART NUMBER FOR OPTIONAL HOLD DOWN (2 PER ASSEMBLY).



5 RECOMMENDED SCREW TORQUE: 1.0 TO 1.5 MAX in-lbs. (1.2-1.7 cm-kgs).

mat'l. code	surface	tolerance	projection	product family
ltr ecn no dr date	tolerances unless otherwise specified	±0.15	MM	title
A	angles linear	±2'	scale	NARROW BODY FRONT EJECT TYPE 123 MECHANISM ASS'Y
	clr Mike Zhou 05/25/06			dwg no 95079 sheet3of3 size A4
	engr Mike Zhou 05/25/06			type CUSTOMER Drawing
	chr Mike Zhou 05/25/06			
	appd Qin David 05/25/06			
sheet index	revision sheet			

PDM: Rev:L STATUS Released Printed: Oct 12, 2010 6