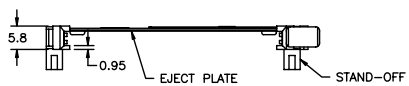
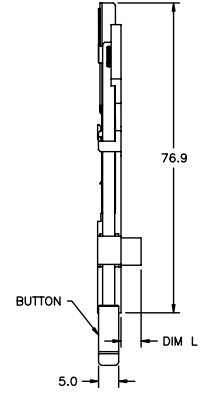
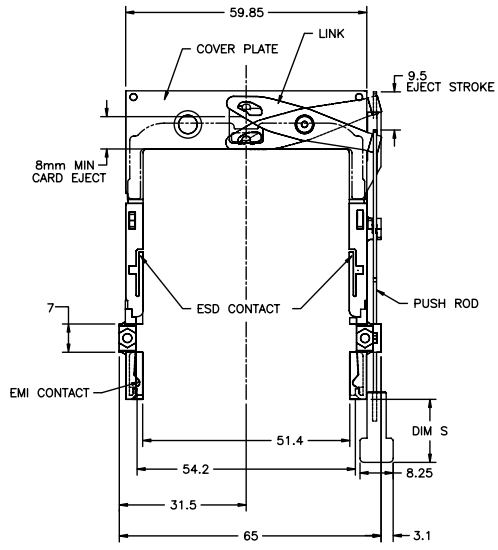


FCI CONFIDENTIAL

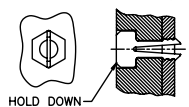
FCI

This document is the property of and embodies CONFIDENTIAL and PROPRIETARY information of FCI. No part of this information shall be disclosed, copied, or otherwise transmitted in any form or by any means without the written consent of FCI. Copyright FCI.

PRODUCT NO. NOTE ⑤	STAND-OFF DIM L	DIM S	BUTTON COLOR
95079-00CA	0		
95079-02CA	2	13	BLACK
95079-02CALF	2		
95079-04CA	4		
95079-05CA	5		
95079-00DA	0		
95079-02DA	2	15.6	BLACK
95079-04DA	4		
95079-05DA	5		
95079-00FA	0		
95079-02FA	2	21	BLACK
95079-04FA	4		
95079-05FA	5		
95079-00CH	0		
95079-02CH	2	13	NATURAL
95079-04CH	4		
95079-05CH	5		
95079-00DH	0		
95079-02DH	2	15.6	NATURAL
95079-04DH	4		
95079-05DH	5		
95079-00FH	0		
95079-02FH	2	21	NATURAL
95079-04FH	4		
95079-05FH	5		



- NOTES:
- EJECT PLATE TO MOVE ALONG INSIDE WALL OF COVER PLATE SMOOTHLY AFTER ASSEMBLING WITH HEADER.
  - MATERIAL:  
PLASTIC GUIDES: POLYPHTHARAMIDE UL94V-0 BLACK  
COVER PLATE: STAINLESS STEEL  
EMI CONTACT: PHOSPHOR BRONZE
  - FINISH:  
EMI CONTACT:  
CONTACT AREA: 0.5um Au  
UNDER PLATING: 2.0um Ni
  - ADD "H" TO PART NUMBER FOR OPTIONAL HOLD-DOWN (2 PER ASSEMBLY).



- RECOMMENDED SCREW TORQUE: 1.0 TO 1.5 MAX in-lbs. (1.2-1.7 cm-kgs).

mat'l. code		surface		tolerance		projection		product family	
l	tr	ec	n	dr	date	tolerances unless otherwise specified		title	
F	V91417	CGC	7/2/99			±0.15		NARROW BODY FRONT EJECT TYPE 123 MECHANISM ASS'Y	
G	V03-0522	WL	05/29/03	angles	linear	MM		dwg no 95079 sheet 1 of 3 size A4	
H	T03-0485	WL	11/03/03	±2'		scale		type CUSTOMER Drawing	
J	N06-0034	M	Z	02/13/06	chr	Mike Zhou	05/28/06		
K	N06-0135	M	Z	05/25/06	eng	Mike Zhou	05/28/06		
L	N06-0110	M	Z	06/29/06	chr	Mike Zhou	05/28/06		
		app		Qin David		05/28/06			
sheet	revision	L	K	A					
index	sheet	1	2	3					

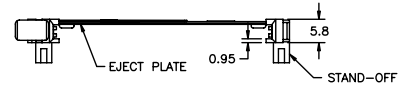
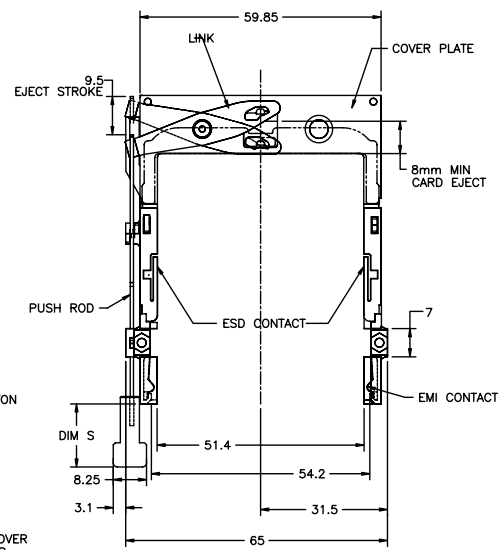
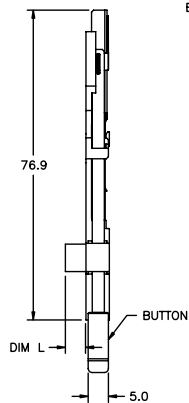
FCI CONFIDENTIAL

FCI

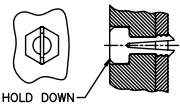
FCI

D

PRODUCT NO. NOTE ③	STAND-OFF DIM L	DIM S	BUTTON COLOR
95079-10CA	0	13	BLACK
95079-10CALF	0		
95079-12CA	2		
95079-14CA	4		
95079-15CA	5		
95079-15CAH	5	15.6	BLACK
95079-10DA	0		
95079-12DA	2		
95079-14DA	4		
95079-15DA	5		
95079-10FA	0	21	BLACK
95079-12FA	2		
95079-14FA	4		
95079-15FA	5		
95079-10CH	0		
95079-12CH	2		
95079-14CH	4		
95079-15CH	5		
95079-10DH	0	15.6	NATURAL
95079-12DH	2		
95079-14DH	4		
95079-15DH	5		
95079-10FH	0		
95079-12FH	2		
95079-14FH	4		
95079-15FH	5		



- NOTES:
- EJECT PLATE TO MOVE ALONG INSIDE WALL OF COVER PLATE SMOOTHLY AFTER ASSEMBLING WITH HEADER.
  - MATERIAL:  
PLASTIC GUIDES: POLYPHTHARAMIDE UL94V-0 BLACK  
COVER PLATE: STAINLESS STEEL  
EMI CONTACT: PHOSPHOR BRONZE
  - FINISH:  
EMI CONTACT:  
CONTACT AREA: 0.5um Au  
UNDER PLATING: 2.0um Ni
  - ADD "H" TO PART NUMBER FOR OPTIONAL HOLD DOWN (2 PER ASSEMBLY).



HOLD DOWN

- RECOMMENDED SCREW TORQUE: 1.0 TO 1.5 MAX in-lbs. (1.2-1.7 cm-kgs).

mat'l. code	surface	tolerance	projection	product family
ltr	ecr	no	dr	date
tolerances unless otherwise specified				title
K	angles	linear	±0.15	NARROW BODY FRONT EJECT TYPE 123 MECHANISM ASS'Y
	±2'	scale	MM	
clr	Mike Zhou	05/28/06	FCI	dwg no
engr	Mike Zhou	05/28/06		95079
chr	Mike Zhou	05/28/06		sheet 2 of 3
appd	Qin David	05/28/06		A4
sheet	revision			type
index	sheet			CUSTOMER
				Drawing

PDM: Rev:L STATUS Released Printed: Oct 12, 2010 6

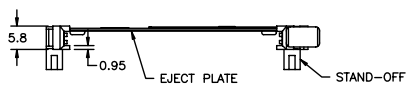
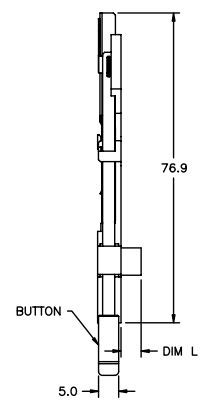
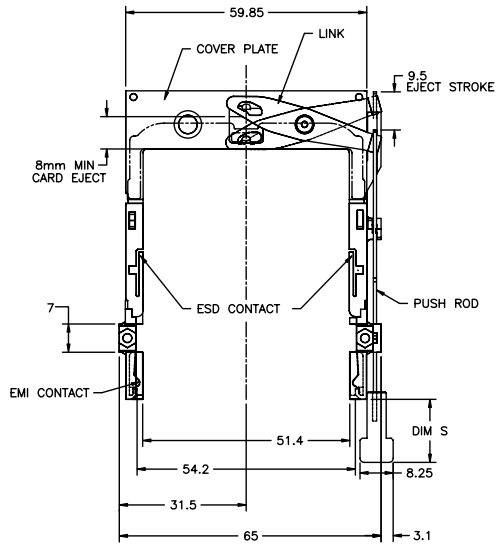
FCI CONFIDENTIAL



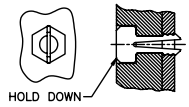
FCIconnect.com

Copyright FCI

PRODUCT NO. NOTE ⑤	STAND-OFF DIM L	DIM S	BUTTON COLOR
95079-00MCA	0	13	BLACK



- NOTES:
- EJECT PLATE TO MOVE ALONG INSIDE WALL OF COVER PLATE SMOOTHLY AFTER ASSEMBLING WITH HEADER.
  - MATERIAL:  
PLASTIC GUIDES: POLYPHTHARAMIDE UL94V-0 BLACK  
COVER PLATE: STAINLESS STEEL  
EMI CONTACT: PHOSPHOR BRONZE
  - FINISH:  
EMI CONTACT:  
CONTACT AREA: 0.5um Au  
UNDER PLATING: 2.0um Ni
  - ADD "H" TO PART NUMBER FOR OPTIONAL HOLD DOWN (2 PER ASSEMBLY).



- RECOMMENDED SCREW TORQUE: 1.0 TO 1.5 MAX in-lbs. (1.2-1.7 cm-kgs).

mat'l. code	surface	tolerance	projection	product family
ltr ecn no dr date	tolerances unless otherwise specified	±0.15	MM	title
A	angles linear	±2'	scale	NARROW BODY FRONT EJECT TYPE 123 MECHANISM ASS'Y
	dr: Mike Zhou 05/25/06			dwg no 95079 sheet 3 of 3 size A4
	engr: Mike Zhou 05/25/06			type CUSTOMER Drawing
	chr: Mike Zhou 05/25/06			
	appd: Qin David 05/25/06			
sheet index	revision sheet			

PDM: Rev:L STATUS Released Printed: Oct 12, 2010 6