





FCI CONFIDENTIAL

FCI

This document is the property of and includes CONFIDENTIAL and PROPRIETARY information of FCI. No part of the information herein may be used in any way or disclosed to others without the written consent of FCI. Copyright © FCI

form: A3

DESCRIPTION: BELOW PCB, DECK AND PUSH ROD LOCATION ARE AS VIEWED BY USER

| PRODUCT NO.<br>71299-XXXX | PUSH-ROD<br>LOCATION | STAND-OFF<br>HEIGHT | (A)<br>HEADER ASSY<br>71249-XXXX | (B)<br>MECHANISM ASSY<br>72337-XXXX | (C)<br>MATING<br>RECEPTACLE  | MOUNTING STYLE TO<br>PCB AND PUSH-ROD<br>SIDE |
|---------------------------|----------------------|---------------------|----------------------------------|-------------------------------------|--|---|
| 520CA                     | RIGHT                | 2.2                 | 5022                             | 72337-122CA                         | 100 POSITION<br>(2X50) 0.8mm<br>RECEPTACLE<br>PART NO.<br>73277-101000<br>73277-101402LF |   |
| 540CA                     | RIGHT                | 4.3                 | 5043                             | 72337-143CA                         |  |   |
| 550CA                     | RIGHT                | 5.0                 | 5050                             | 72337-150CA                         |  |   |
| 520CALF                   | RIGHT                | 2.2                 | 5022LF                           | 72337-122CA                         |  |   |
| 540CALF                   | RIGHT                | 4.3                 | 5043LF                           | 72337-143CA                         |  |   |
| 550CALF                   | RIGHT                | 5.0                 | 5050LF                           | 72337-150CA                         |  |   |
| 620CA                     | LEFT                 | 2.2                 | 5022                             | 72337-022CA                         |  |   |
| 640CA                     | LEFT                 | 4.3                 | 5043                             | 72337-043CA                         |  |   |
| 650CA                     | LEFT                 | 5.0                 | 5050                             | 72337-050CA                         |  |   |
| 620CALF                   | LEFT                 | 2.2                 | 5022LF                           | 72337-022CA                         |  |   |
| 640CALF                   | LEFT                 | 4.3                 | 5043LF                           | 72337-043CA                         |  |   |
| 650CALF                   | LEFT                 | 5.0                 | 5050LF                           | 72337-050CA                         |  |   |
| 525CA                     | RIGHT                | 0.0                 | 5522                             | 72337-100CA                         |  |   |
| 545CA                     | RIGHT                | 0.0                 | 5543                             | 72337-100CA                         |  |   |
| 555CA                     | RIGHT                | 0.0                 | 5550                             | 72337-100CA                         |  |   |
| ① 555DA                   | RIGHT                | 0.0                 | 5550                             | 72337-100DA                         |  |   |
| 525CALF                   | RIGHT                | 0.0                 | 5522LF                           | 72337-100CA                         |  |   |
| 545CALF                   | RIGHT                | 0.0                 | 5543LF                           | 72337-100CA                         |  |   |
| 555CALF                   | RIGHT                | 0.0                 | 5550LF                           | 72337-100CA                         |  |   |
| ① 555DALF                 | RIGHT                | 0.0                 | 5550LF                           | 72337-100DA                         |  |   |
| 625CA                     | LEFT                 | 0.0                 | 5522                             | 72337-000CA                         |  |   |
| 645CA                     | LEFT                 | 0.0                 | 5543                             | 72337-000CA                         |  |   |
| 655CA                     | LEFT                 | 0.0                 | 5550                             | 72337-000CA                         |  |   |
| 625CALF                   | LEFT                 | 0.0                 | 5522LF                           | 72337-000CA                         |  |   |
| 645CALF                   | LEFT                 | 0.0                 | 5543LF                           | 72337-000CA                         |  |   |
| 655CALF                   | LEFT                 | 0.0                 | 5550LF                           | 72337-000CA                         |  |   |

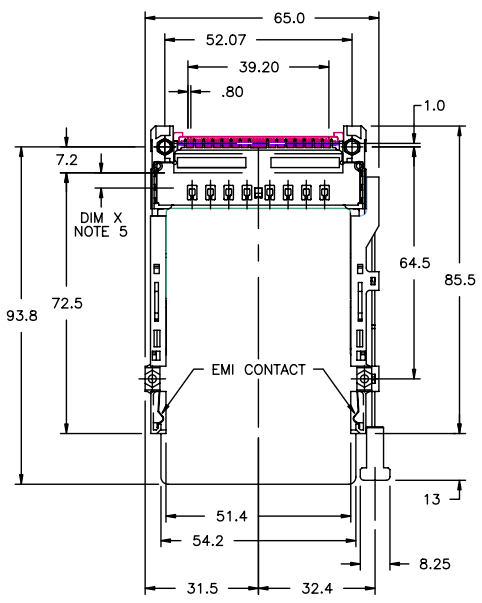
**ORDERING INFORMATION**  
 ORDER:  
 1. EJECT HEADER ASSY (71299-XXXX/XXXXLF)  
 2. MATING RECEPTACLE (73277-101000/101402LF)

- NOTES:**
- ① 555DA HAS 15.6mm PUSH BUTTON RETURN LENGTH INSTEAD OF 13.0mm.
  - 2. BELOW P.C.B., 0.0mm STAND-OFF IS NOT AVAILABLE.

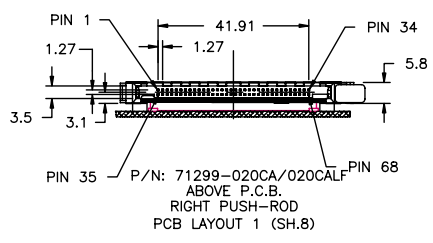
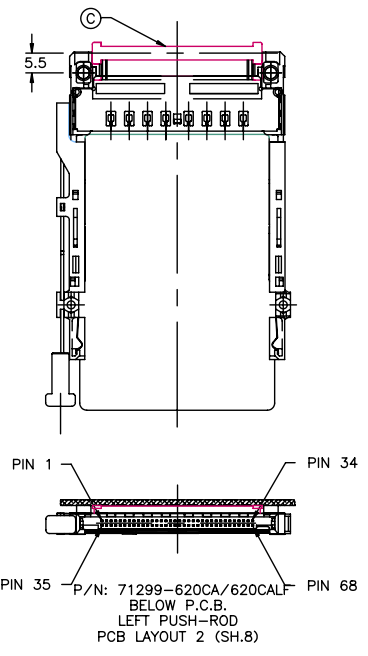
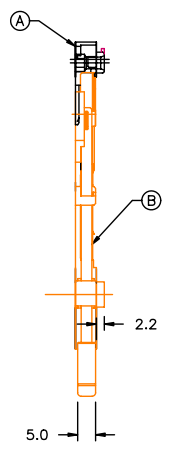
|             |     |                |           |            |                       |
|-------------|-----|----------------|-----------|------------|-----------------------|
| mat'l. code |     | surface        | tolerance | projection | product family        |
| ISO 1302    |     | ISO 406        | ISO 101   | MM         | CARBUS SINGLE DECK    |
| ltr         | ecr | no             | dr        | date       | title                 |
| R           |     |                |           |            | ASSY SMT TYPE 123     |
| angles      |     | linear         | .X±.3     | MM         | scale:1:1             |
| ±2°         |     |                | .XX±.13   |            | dwg no                |
|             |     | dr             | .XXX±.051 |            | 71299                 |
|             |     | engr           |           |            | sheet 3 of 11         |
|             |     | chr            |           |            | A4                    |
|             |     | ppd            |           |            | type CUSTOMER Drawing |
| sheet index |     | revision sheet |           |            |                       |

FCI CONFIDENTIAL  
 FCI  
 FCIconnect.com  
 This document is the property of and includes CONFIDENTIAL and PROPRIETARY information of FCI. No part of the information shown on this document may be used in any way or disclosed to others without the written consent of FCI.  
 Copyright FCI

PRODUCT NUMBER  
 71299-\*\*\*\*\*/\*\*\*\*L\*F



MATING RECEPTACLE  
 SHOWN FOR APPLICATION  
 CLARITY ONLY.  
 MUST BE PURCHASED  
 SEPARATELY



|             |                |         |           |                                       |                |
|-------------|----------------|---------|-----------|---------------------------------------|----------------|
| mat'l. code |                | surface | tolerance | projection                            | product family |
| ISO 1302    |                | ISO 406 | ISO 101   |                                       |                |
| ltr         | ecm no         | dr      | date      | title                                 |                |
| R           |                |         |           | CARDBUS SINGLE DECK ASSY SMT TYPE 123 |                |
| angles      |                | linear  |           | tolerances unless otherwise specified | MM             |
| ±2°         |                | .X±.3   |           | scale:1:1                             |                |
| dr          |                | R.GRAPE | 7/3/96    | dwg no                                |                |
| enr         |                | D.BRANN | 7/3/96    | 71299                                 |                |
| chr         |                | D.BRANN | 7/3/96    | sheet 4 of 11 size A4                 |                |
| ppd         |                | D.BRANN | 7/3/96    | type CUSTOMER Drawing                 |                |
| sheet index | revision sheet |         |           |                                       |                |

PDM: Rev:R STATUS:Released Printed: Oct 12, 2010 6

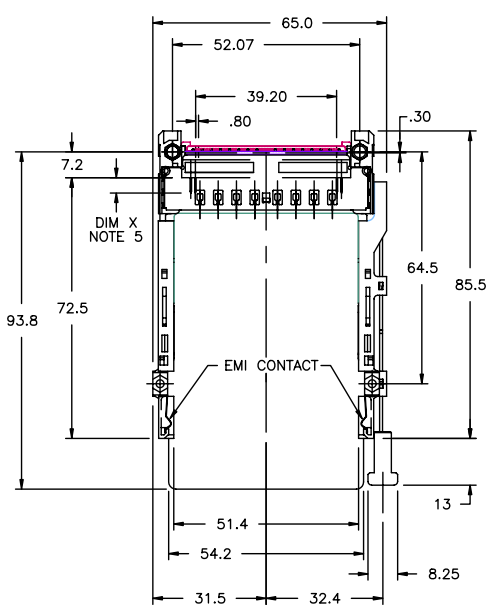
form: A3

FCI CONFIDENTIAL

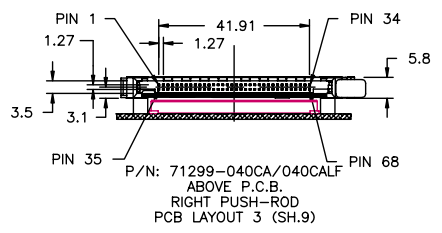
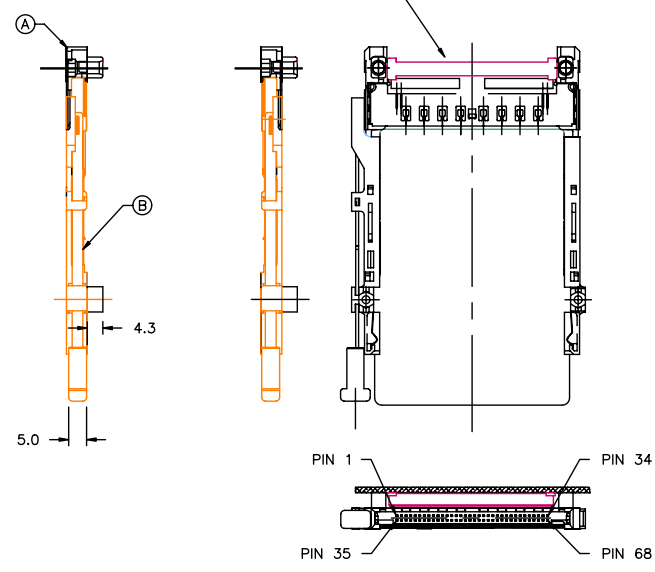


This document is the property of and includes CONFIDENTIAL and PROPRIETARY information of FCI. No part of the information shown on this document may be used in any way or disclosed to others without the written consent of FCI. Copyright © FCI.

PRODUCT NUMBER  
71299-\*\*\*\*\*/\*\*\*\*\*LF



MATING RECEPTACLE SHOWN FOR APPLICATION CLARITY ONLY MUST BE PURCHASED SEPARATELY



P/N: 71299-640CA/640CALF  
BELOW P.C.B.  
LEFT PUSH-ROD  
PCB LAYOUT 4 (SH.9)

|             |                |         |           |                                       |                |
|-------------|----------------|---------|-----------|---------------------------------------|----------------|
| mat'l. code |                | surface | tolerance | projection                            | product family |
| ISO 1302    |                | ISO 406 | ISO 101   |                                       |                |
| ltr         | ecn no         | dr      | date      | title                                 |                |
| R           |                |         |           | CARDBUS SINGLE DECK ASSY SMT TYPE 123 |                |
| angles      |                | linear  | .X±.3     | MM                                    | dwg no         |
| ±2°         |                |         | .XX±.13   | scale:1:1                             | 71299          |
| dr          |                | R.GRAPE | 7/3/96    | sheet 5 of 11 size                    |                |
| enr         |                | D.BRANN | 7/3/96    | A4                                    |                |
| chr         |                | D.BRANN | 7/3/96    | type CUSTOMER Drawing                 |                |
| ppd         |                | D.BRANN | 7/3/96    |                                       |                |
| sheet index | revision sheet |         |           |                                       |                |

PDM: Rev:R STATUS Released Printed: Oct 12, 2010 6

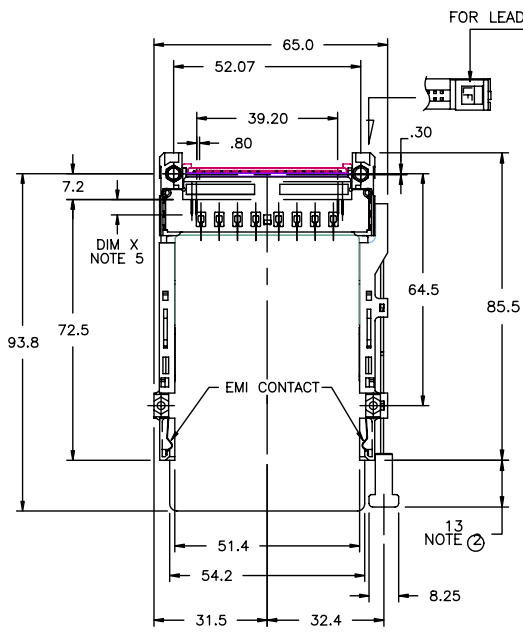
form: A3

FCI CONFIDENTIAL

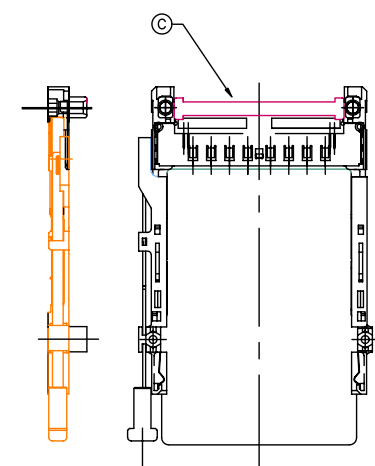
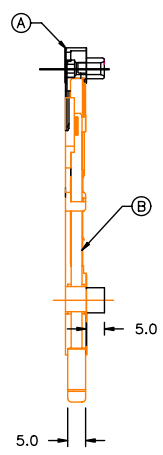


This document is the property of and includes CONFIDENTIAL and PROPRIETARY information of FCI. No part of this information may be reproduced, stored in a retrieval system, or transmitted in any form or by any means, electronic, mechanical, photocopying, recording, or otherwise, without the written consent of FCI. Copyright © FCI.

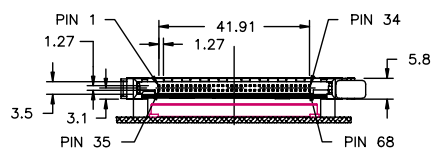
PRODUCT NUMBER  
71299-\*\*\*\*\*/\*\*\*\*\*LF



FOR LEAD-FREE TYPE ONLY(REF.)  
MATING RECEPTACLE SHOWN FOR APPLICATION CLARITY ONLY MUST BE PURCHASED SEPARATELY



P/N: 71299-650CA  
BELOW P.C.B.  
LEFT PUSH-ROD  
PCB LAYOUT 4 (SH.9)



P/N: 71299-050FA/-050FALF  
(NOTE 2)  
P/N: 71299-050CA/-050CALF  
ABOVE P.C.B.  
RIGHT PUSH-ROD  
PCB LAYOUT 3 (SH.9)

|             |                |         |           |            |                                       |
|-------------|----------------|---------|-----------|------------|---------------------------------------|
| mat'l. code |                | surface | tolerance | projection | product family                        |
| ISO 1302    |                | ISO 406 | ISO 101   |            |                                       |
| ltr         | ecr            | no      | dr        | date       | title                                 |
| R           |                |         |           |            | CARDBUS SINGLE DECK ASSY SMT TYPE 123 |
| angles      |                | linear  | .X±.3     | MM         |                                       |
| ±2°         |                |         | .XX±.13   | scale:1:1  |                                       |
|             |                |         | .XXX±.051 |            |                                       |
| dr          | R.GRAPE        | 7/3/96  |           |            | dwg no                                |
| sgr         | D.BRANN        | 7/3/96  |           |            | 71299                                 |
| chr         | D.BRANN        | 7/3/96  |           |            | sheet 6 of 11 size                    |
| ppd         | D.BRANN        | 7/3/96  |           |            | A4                                    |
| sheet index | revision sheet |         |           |            | type CUSTOMER Drawing                 |

PDM: Rev:R STATUS Released Printed: Oct 12, 2010 6

form: A3

FCI CONFIDENTIAL

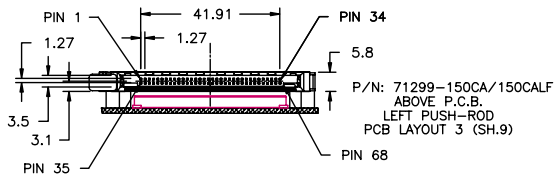
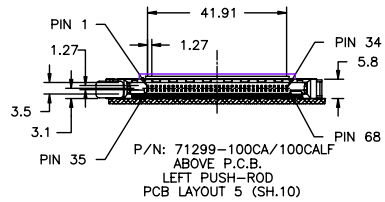
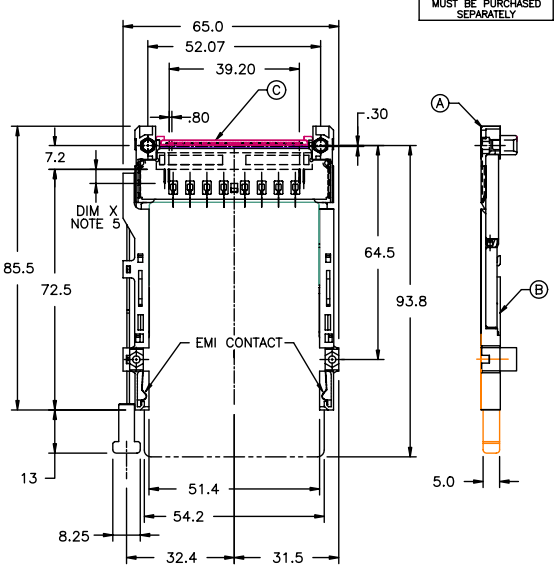
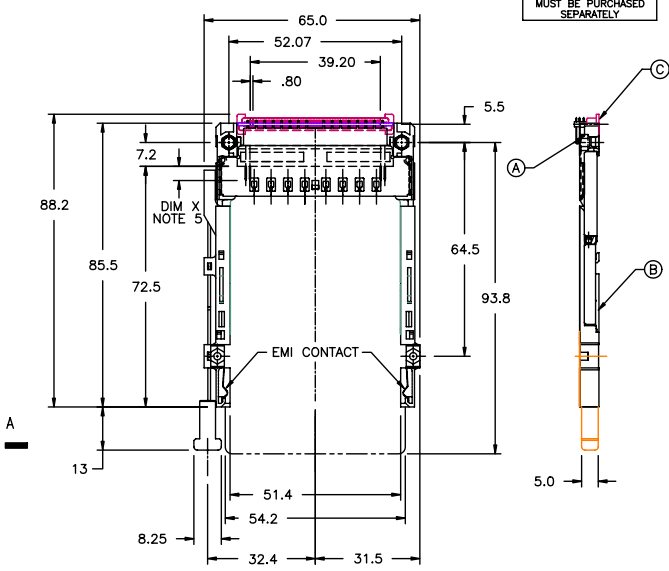
FCI

This document is the property of and includes CONFIDENTIAL and PROPRIETARY information of FCI. No part of the information shown on this document may be used in any way or disclosed to others without the written consent of FCI. Copyright FCI.

PRODUCT NUMBER  
71299-\*\*\*\*\*/\*\*\*\*\*LF

MATING RECEPTACLE SHOWN FOR APPLICATION CLARITY ONLY MUST BE PURCHASED SEPARATELY

MATING RECEPTACLE SHOWN FOR APPLICATION CLARITY ONLY MUST BE PURCHASED SEPARATELY



|             |                |                 |            |                                      |
|-------------|----------------|-----------------|------------|--------------------------------------|
| mat'l. code | surface        | tolerance       | projection | product family                       |
|             | ISO 1302       | ISO 406 ISO 101 | 101        |                                      |
| ltr         | ecn no         | dr              | date       | title                                |
| R           |                |                 |            | CARBUS SINGLE DECK ASSY SMT TYPE 123 |
|             |                |                 |            | MM                                   |
|             |                |                 |            | scale:1                              |
|             |                |                 |            | dwg no 71299                         |
|             |                |                 |            | sheet 7 of 11 size A4                |
|             |                |                 |            | type CUSTOMER Drawing                |
| sheet index | revision sheet |                 |            |                                      |

PDM: Rev:R STATUS: Released Printed: Oct 12, 2010 6

form: A3

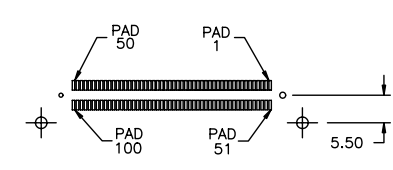
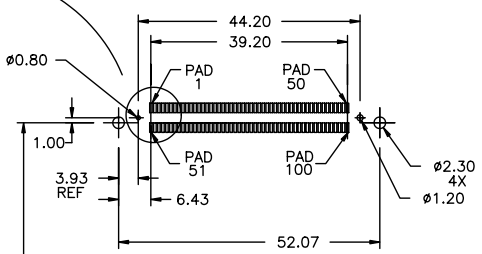
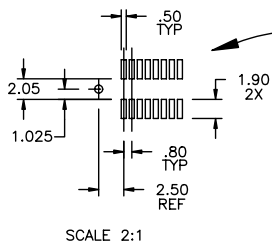
FCI CONFIDENTIAL



FCIconnect.com

This document is the property of and includes CONFIDENTIAL and PROPRIETARY information of FCI. No part of the information herein may be used in any way or disclosed to others without the written consent of FCI. Copyright © FCI.

# P.C.B. LAYOUT FOR 2.2mm STANDOFF



P.C.B. LAYOUT 1 ABOVE PCB AS ASSEMBLED

P.C.B. LAYOUT 2 BELOW PCB AS ASSEMBLED

|             |  |                |  |           |  |            |  |                       |  |
|-------------|--|----------------|--|-----------|--|------------|--|-----------------------|--|
| mat'l. code |  | surface        |  | tolerance |  | projection |  | product family        |  |
| ISO 1302    |  | ISO 406        |  | ISO 101   |  | MM         |  | CARDBUS SINGLE DECK   |  |
| R           |  | linear         |  | .XX±.13   |  | MM         |  | ASSY SMT TYPE 123     |  |
| dr          |  | R.GRAPE        |  | 7/3/96    |  | scale:1:1  |  | dwg no                |  |
| enr         |  | D.BRANN        |  | 7/3/96    |  | FCI        |  | 71299                 |  |
| chr         |  | D.BRANN        |  | 7/3/96    |  |            |  | sheet 8 of 11 size    |  |
| appd        |  | D.BRANN        |  | 7/3/96    |  |            |  | A4                    |  |
| sheet index |  | revision sheet |  |           |  |            |  | type CUSTOMER Drawing |  |

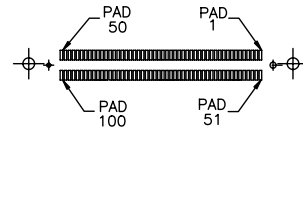
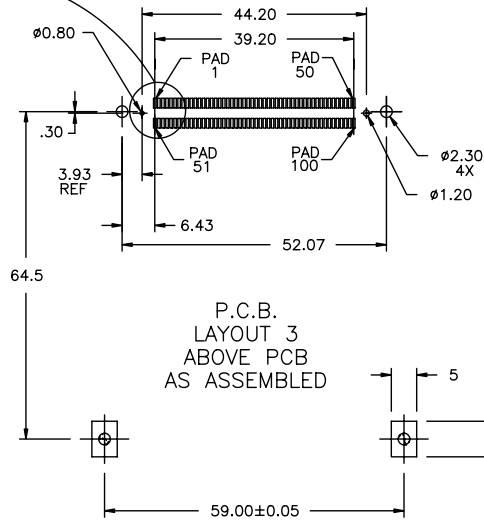
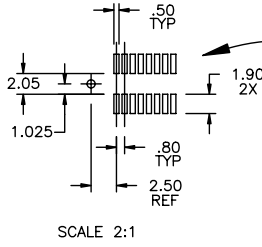
PDM: Rev:R

STATUS Released

Printed: Oct 12, 2010



# P.C.B. LAYOUT FOR 4.3 AND 5.0mm STANDOFFS



P.C.B. LAYOUT 3 ABOVE PCB AS ASSEMBLED

P.C.B. LAYOUT 4 BELOW PCB AS ASSEMBLED

|             |                |         |           |                                       |                    |
|-------------|----------------|---------|-----------|---------------------------------------|--------------------|
| mat'l. code |                | surface | tolerance | projection                            | product family     |
| ISO 1302    |                | ISO 406 | ISO 101   | 101                                   |                    |
| ltr         | ecm no         | dr      | date      | title                                 |                    |
| R           |                |         |           | CARDBUS SINGLE DECK ASSY SMT TYPE 123 |                    |
| angles      |                | linear  | .X±.3     | MM                                    |                    |
| ±2°         |                |         | .XX±.13   | scale:1                               |                    |
|             |                |         | .XXX±.051 |                                       |                    |
| dr          | R.GRAPE        | 7/3/96  |           | dwg no                                | sheet 9 of 11 size |
| enr         | D.BRANN        | 7/3/96  |           | 71299                                 | A4                 |
| chr         | D.BRANN        | 7/3/96  |           | type                                  | CUSTOMER Drawing   |
| appd        | D.BRANN        | 7/3/96  |           |                                       |                    |
| sheet index | revision sheet |         |           |                                       |                    |

PDM: Rev:R

STATUS Released

Printed: Oct 12, 2010 6

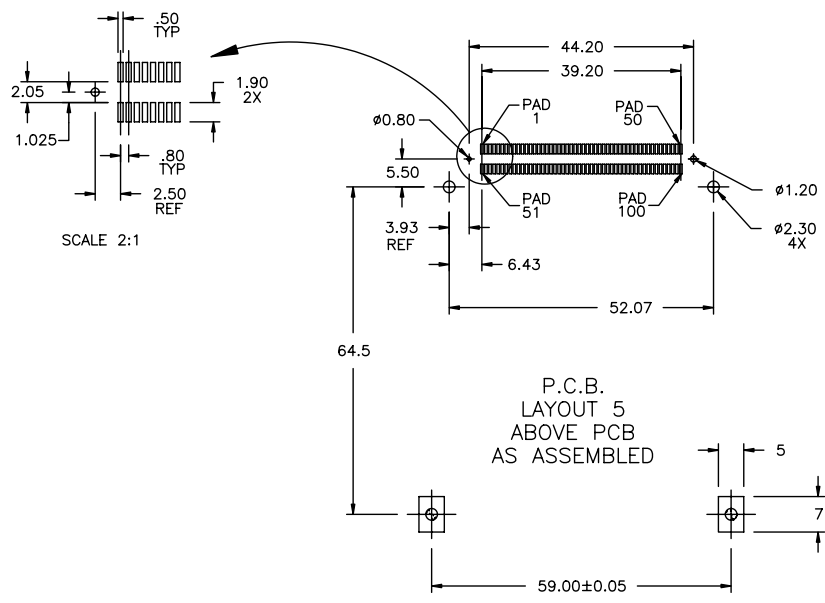
FCI CONFIDENTIAL  
 FCI  
 FCIconnect.com  
 This document is the property of and includes CONFIDENTIAL and PROPRIETARY information of FCI. No part of the information herein may be used in any way or disclosed to others without the written consent of FCI. Copyright FCI.

FCI CONFIDENTIAL

FCI  
FCIconnect.com

This document is the property of and includes CONFIDENTIAL and PROPRIETARY information of FCI. No part of the information shown on this document may be used in any way or disclosed to others without the written consent of FCI. Copyright © FCI.

# P.C.B. LAYOUT FOR 0mm STANDOFF



|             |                |         |                |                                       |                       |
|-------------|----------------|---------|----------------|---------------------------------------|-----------------------|
| mat'l. code |                | surface | tolerance      | projection                            | product family        |
| ISO 1302    |                | ISO 406 | ISO 101        | MM                                    | CARBUS SINGLE DECK    |
| ltr         | ecn no         | dr      | date           | tolerances unless otherwise specified | title                 |
| R           |                |         |                | .X±.3                                 | ASSY SMT TYPE 123     |
|             |                |         |                | .XX±.13                               |                       |
|             |                |         |                | .XXX±.051                             |                       |
|             |                |         |                | scale:1:1                             |                       |
|             |                | dr      | R.GRAPE 7/3/96 |                                       | dwg no                |
|             |                | enr     | D.BRANN 7/3/96 |                                       | 71299                 |
|             |                | chr     | D.BRANN 7/3/96 |                                       | sheet 10 of 11        |
|             |                | ppd     | D.BRANN 7/3/96 |                                       | A4                    |
| sheet index | revision sheet |         |                |                                       | type CUSTOMER Drawing |

PDM: Rev:R STATUS Released Printed: Oct 12, 2010 6

FCI CONFIDENTIAL

FCI

This document is the property of and includes CONFIDENTIAL and PROPRIETARY information of FCI. No part of the information herein on this document may be used in any way or disclosed to others without the written consent of FCI. Copyright © FCI.

| HEADER PINOUT | TYPE | BTB 100 POS RECEPTACLE | HEADER PINOUT | TYPE | BTB 100 POS RECEPTACLE | SHIELD PINOUT | TYPE | BTB 100 POS RECEPTACLE |
|---------------|------|------------------------|---------------|------|------------------------|---------------|------|------------------------|
| 1             | GND  | 1                      | 35            | GND  | 51                     | 1             | GND  | 4 & 54                 |
| 2             | SIG  | 2                      | 36            | DET  | 52                     | 2             | GND  | 7 & 57                 |
| 3             | SIG  | 3                      | 37            | SIG  | 53                     | 3             | GND  | 10 & 60                |
| 4             | SIG  | 5                      | 38            | SIG  | 55                     | 4             | GND  | 13 & 63                |
| 5             | SIG  | 6                      | 39            | SIG  | 56                     | 5             | GND  | 16 & 66                |
| 6             | SIG  | 8                      | 40            | SIG  | 58                     | 6             | GND  | 19 & 69                |
| 7             | SIG  | 9                      | 41            | SIG  | 59                     | 7             | GND  | 22 & 72                |
| 8             | SIG  | 11                     | 42            | SIG  | 61                     | 8             | GND  | 25 & 75                |
| 9             | SIG  | 12                     | 43            | SIG  | 62                     | 9             | GND  | 26 & 76                |
| 10            | SIG  | 14                     | 44            | SIG  | 64                     | 10            | GND  | 29 & 79                |
| 11            | SIG  | 15                     | 45            | SIG  | 65                     | 11            | GND  | 32 & 82                |
| 12            | SIG  | 17                     | 46            | SIG  | 67                     | 12            | GND  | 35 & 85                |
| 13            | SIG  | 18                     | 47            | SIG  | 68                     | 13            | GND  | 38 & 88                |
| 14            | SIG  | 20                     | 48            | SIG  | 70                     | 14            | GND  | 41 & 91                |
| 15            | SIG  | 21                     | 49            | SIG  | 71                     | 15            | GND  | 44 & 94                |
| 16            | SIG  | 23                     | 50            | SIG  | 73                     | 16            | GND  | 47 & 97                |
| 17            | PWR  | 24                     | 51            | PWR  | 74                     |               |      |                        |
| 18            | SIG  | 27                     | 52            | SIG  | 77                     |               |      |                        |
| 19            | SIG  | 28                     | 53            | SIG  | 78                     |               |      |                        |
| 20            | SIG  | 30                     | 54            | SIG  | 80                     |               |      |                        |
| 21            | SIG  | 31                     | 55            | SIG  | 81                     |               |      |                        |
| 22            | SIG  | 33                     | 56            | SIG  | 83                     |               |      |                        |
| 23            | SIG  | 34                     | 57            | SIG  | 84                     |               |      |                        |
| 24            | SIG  | 36                     | 58            | SIG  | 86                     |               |      |                        |
| 25            | SIG  | 37                     | 59            | SIG  | 87                     |               |      |                        |
| 26            | SIG  | 39                     | 60            | SIG  | 89                     |               |      |                        |
| 27            | SIG  | 40                     | 61            | SIG  | 90                     |               |      |                        |
| 28            | SIG  | 42                     | 62            | SIG  | 92                     |               |      |                        |
| 29            | SIG  | 43                     | 63            | SIG  | 93                     |               |      |                        |
| 30            | SIG  | 45                     | 64            | SIG  | 95                     |               |      |                        |
| 31            | SIG  | 46                     | 65            | SIG  | 96                     |               |      |                        |
| 32            | SIG  | 48                     | 66            | SIG  | 98                     |               |      |                        |
| 33            | SIG  | 49                     | 67            | DET  | 99                     |               |      |                        |
| 34            | GND  | 50                     | 68            | GND  | 100                    |               |      |                        |

NOTES:

- 8mm MIN CARD EJECT.
- EJECT TRAVEL: 9.5mm
- MATERIAL:
  - HEADER ASSY:  
PLASTIC HOUSING: LCP UL94V-0 BLACK - ABOVE PCB  
LCP UL94V-0 BLACK - BELOW PCB  
PIN: PHOSPHOR BRONZE  
PCB: FR4
  - EJECT MECHANISM ASSY:  
PLASTIC GUIDE: POLYPHTHAMID UL94V-0 BLACK  
PLASTIC PUSH-ROD BUTTON: POLYPHTHAMID UL94V-0 BLACK  
COVER PLATE, LINK ARM,  
PUSH ROD: STAINLESS STEEL  
EMI CONTACT: PHOSPHOR BRONZE
  - .8 BTB RECEPTACLE: 73277-101000  
PLASTIC: LCP 94V-0 BLACK  
CONTACT: BeCu
- FINISH (PIN)  
UNDER PLATING: 0.5um MIN Ni  
CONTACT AREA: 0.1um MIN GOLD OVER  
0.5um MIN Pd-Ni  
SOLDER TAIL(TIN LEAD OPTION): 2.5umMIN Sn-Pb  
SOLDER TAIL(LEAD FREE OPTION): 2.5umMIN PURE TIN
- DIM "X"
 

|          |         |                  |
|----------|---------|------------------|
| 4.25±0.1 | 3.5±0.1 | 5.0±0.1          |
| OTHERS   | 36,67   | 1,17,34,35,51,68 |
- RECOMMENDED SCREW TORQUE: 1.0 TO 1.5 MAX in-lbs. (1.2-1.7 cm-kgs).  
RECOMMENDED HOLD-DOWN 2mm SCREWS (95121) AND HEX NUTS (92869-001).
- GS-14-920 SPEC. SHOULD BE APPLIED LEAD FREE P/N.
- IF LEAD FREE P/N.THE HOUSING WILL WITHSTAND EXPOSURE TO 260°C PEAK TEMPERATURE FOR 10 SECONDS IN A WAVE SOLDER APPLICATION WITH A 1.00MM MINIMUM THICK CIRCUIT BOARD.
- IF LEAD FREE P/N.THE PRODUCT MEETS EUROPEAN UNION DIRECTIVES AND OTHER COUNTRY REGULATIONS AS DISCRIBLED IN GS-22-008

|             |                     |                              |                               |  |
|-------------|---------------------|------------------------------|-------------------------------|--|
| mat'l. code | surface<br>ISO 1302 | tolerance<br>ISO 406 ISO 101 | projection<br>101             | product family                           |
| ltr         | ecn no              | dr                           | date                          | title                                    |
| R           |                     |                              |                               | CARDBUS SINGLE DECK<br>ASSY SMT TYPE 123 |
|             | angles              | linear                       | .X±.3<br>.XX±.13<br>.XXX±.051 | MM<br>scale:1:1                          |
|             | ±2'                 |                              |                               | dwg no<br>71299                          |
|             | dr                  | R.GRAPE                      | 7/3/96                        | sheet 11 of 11 size<br>A4                |
|             | engr                | D.BRANN                      | 7/3/96                        | type<br>CUSTOMER Drawing                 |
|             | chr                 | D.BRANN                      | 7/3/96                        |  |
|             | pppd                | D.BRANN                      | 7/3/96                        |  |
| sheet index | revision sheet      |                              |                               |  |