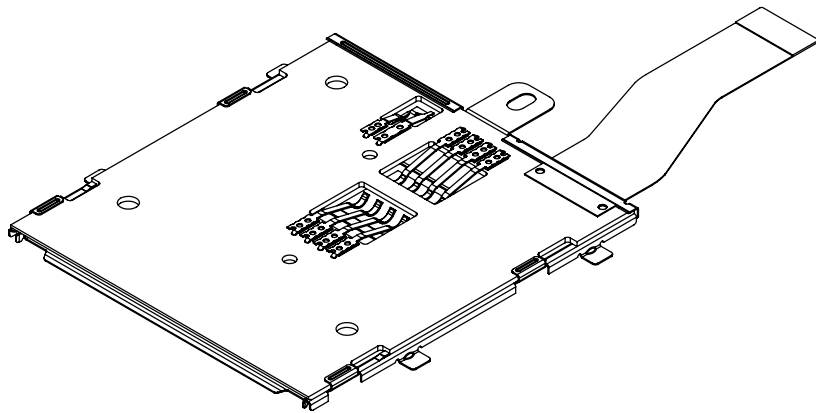


Tous droits strictement réservés. Reproduction ou communication, en des liens interdite sous quelque forme que ce soit sans autorisation écrite du propriétaire. Propriété de © FCI ELECTRONICS. Droits de reproduction FCI ELECTRONICS INC.

All rights strictly reserved. Reproduction or issue to third parties, in any form whatever is not permitted without written authority from the proprietor. Copyright FCI ELECTRONICS INC. Property of © FCI ELECTRONICS

PRODUCT NO.	FPC	PACKAGING	COMPONENTS	LEAD FREE	PCB COLOR
10010556-002LF	10010559-002LF	10017475-02-002	ELEC. PARTS	YES	BLUE
10010556-003LF	10105325-001	10017475-02-009	N/A	YES	BLACK
10010556-004LF	10056226-002LF(FFC)	10017475-02-004	N/A	YES	BLUE
10010556-006LF	10058983-001LF	10017475-02-003	N/A	YES	BLACK
10010556-005LF	10056226-003LF(FFC)	10017475-02-004	N/A	YES	BLUE
10010556-007LF	10081578-001	10017475-02-006	N/A	YES	BLACK
10010556-008LF	10056226-004LF(FFC)	10017475-02-003	N/A	YES	BLUE
10010556-009LF	10083983-001(FFC)	10017475-02-008	N/A	YES	BLUE
10010556-010LF	10056226-005LF(FFC)	340391-202	N/A	YES	GREEN
10010556-011LF	10087561-001	10017475-02-007	N/A	YES	BLUE
10010556-012LF	10087561-002	10017475-02-007	N/A	YES	BLUE
10010556-013LF	10088568-001	10017475-02-006	N/A	YES	BLACK
10010556-014LF	10087561-004	10017475-02-004	N/A	YES	BLUE
10010556-015LF	10099689-001(FFC)	10017475-02-006	N/A	YES	BLACK
10010556-016LF	10056226-006LF(FFC)	340391-202	N/A	YES	GREEN
10010556-017LF	10056226-007LF(FFC)	340391-202	N/A	YES	GREEN
10010556-018LF	10107293-001(FFC)	10017475-02-004	N/A	YES	GREEN



NOTE :

- SMART CARD READER FOR LOWER PROFILE HEIGHT OF 3.0 mm.
- TOTAL CIRCUIT RESISTANCE PER ONE LOOP SHALL NOT EXCEED 100 MILLIOHMS.
- MATERIALS :
CONTACTS : COPPER ALLOY, GOLD OVER NICKEL ON CONTACT AREA.
TOP PCB : FR4.
COVER : STAINLESS STEEL.
- ENVIRONMENT :
STORAGE TEMPERATURE : FROM -40°C TO 100°C.
OPERATION TEMPERATURE : FROM -40°C TO 85°C.

mat'l. code	tolerances unless otherwise specified	CUSTOMER COPY	FCI	www.fciconnect.com
tr ecn no dr date	X ± 0.5	projection	title SMART CARD READER ASSEMBLY	
R N08-0136 SH 07/07/08 linear	XX ± 0.50		product family 95 code -	
S N08-0212 SH 10/06/08	.XXX ± 0.10		size dwg no 10010556 sheet 1 of 20	
T N09-0224 SH 7/15/09 angles	0° ± 2°	MM	scale NONE A3	
U N09-0306 SH 10/13/09 dr	A.JUANG 6/7/02	revision sheet		
V N10-0058 SH 3/3/10 engr	A.JUANG 6/7/02	sheet index		
	chr A.JUANG 6/7/02			
	app JENN.TSAG 6/7/02			

PDM: Rev:V

STATUS: Released

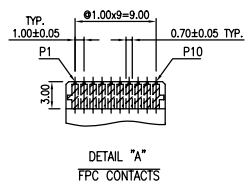
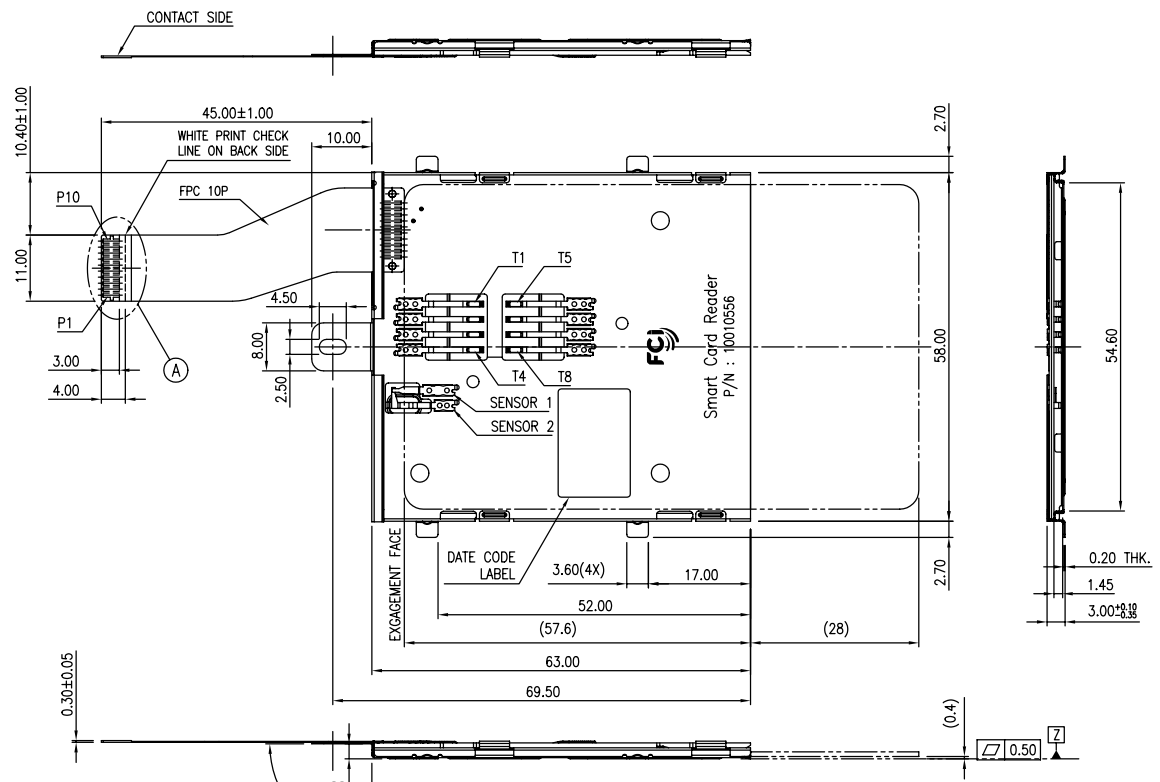
Printed: 2010-12-20 10:22:26

Tous droits strictement réservés. Reproduction ou communication, o des tiers interdite sous quelque forme que ce soit sans autorisation écrite du propriétaire. Propriété de © FCI ELECTRONICS. Droits de reproduction FCI ELECTRONICS INC.

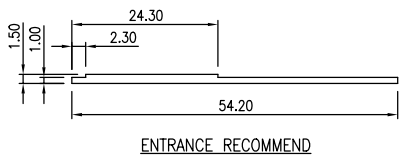
All rights strictly reserved. Reproduction or issue to third parties, in any form whatever is not permitted without written authority from the proprietor. Property of © FCI ELECTRONICS. Copyright FCI ELECTRONICS INC.

PRODUCT NO.
10010556-002LF

1 | 2 | 3 | 4 | 5 | 6



SMART CARD	TERMINAL	FPC	FUNC.
C4	T4	P1	RFU
C3	T3	P2	Clock
C2	T2	P3	Reset
C1	T1	P4	Vcc
SENSOR 1	SENSOR 1	P5	SENSOR
SENSOR 2	SENSOR 2	P6	SENSOR
C5	T5	P7	Gnd
C6	T6	P8	Vpp
C7	T7	P9	I/O
C8	T8	P10	RFU



mat'l. code		tolerances unless otherwise specified		CUSTOMER COPY		FCI	
lir	ecn no	dr	date	linear	projection	www.fciconnect.com	
v				.XX ± .30	mm	SMART CARD READER ASSEMBLY	
				.XXX ± .10	mm	product family	code
				Ø ± .2	mm	SMART PLUS	—
dr	A. JUNG	8/7/02			mm	size	dwg no
enqr	A. JUNG	8/7/02			mm	A3	10010556
chr	A. JUNG	8/7/02			mm	scale	sheet
appd	JENN TSHO	8/7/02			mm	NONE	2 of 18
sheet index	revision sheet						

form no. 7530-001-103

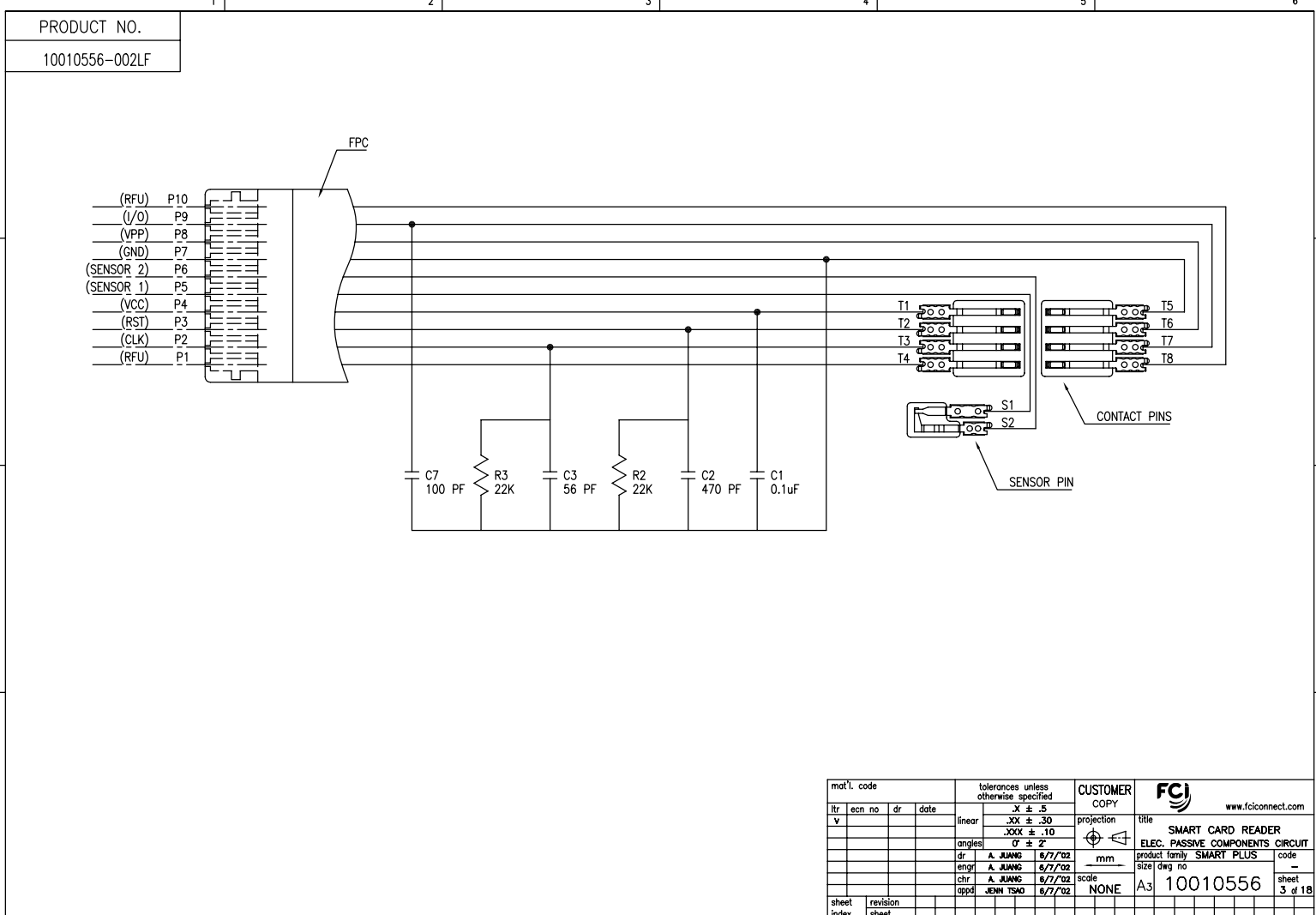
1 | 2 | 3 | 4 | 5 | 6

PDM: Rev:V STATUS:Released Printed: 2008-12-20 22526

Tous droits strictement réservés. Reproduction ou communication à des tiers interdite sous quelque forme que ce soit sans autorisation écrite du propriétaire. Propriété de © FCI ELECTRONICS INC. Droits de reproduction FCI ELECTRONICS INC.



All rights strictly reserved. Reproduction or issue to third parties in any form whatever is not permitted without written authority from the proprietor. Property of © FCI ELECTRONICS INC. Copyright FCI ELECTRONICS INC.



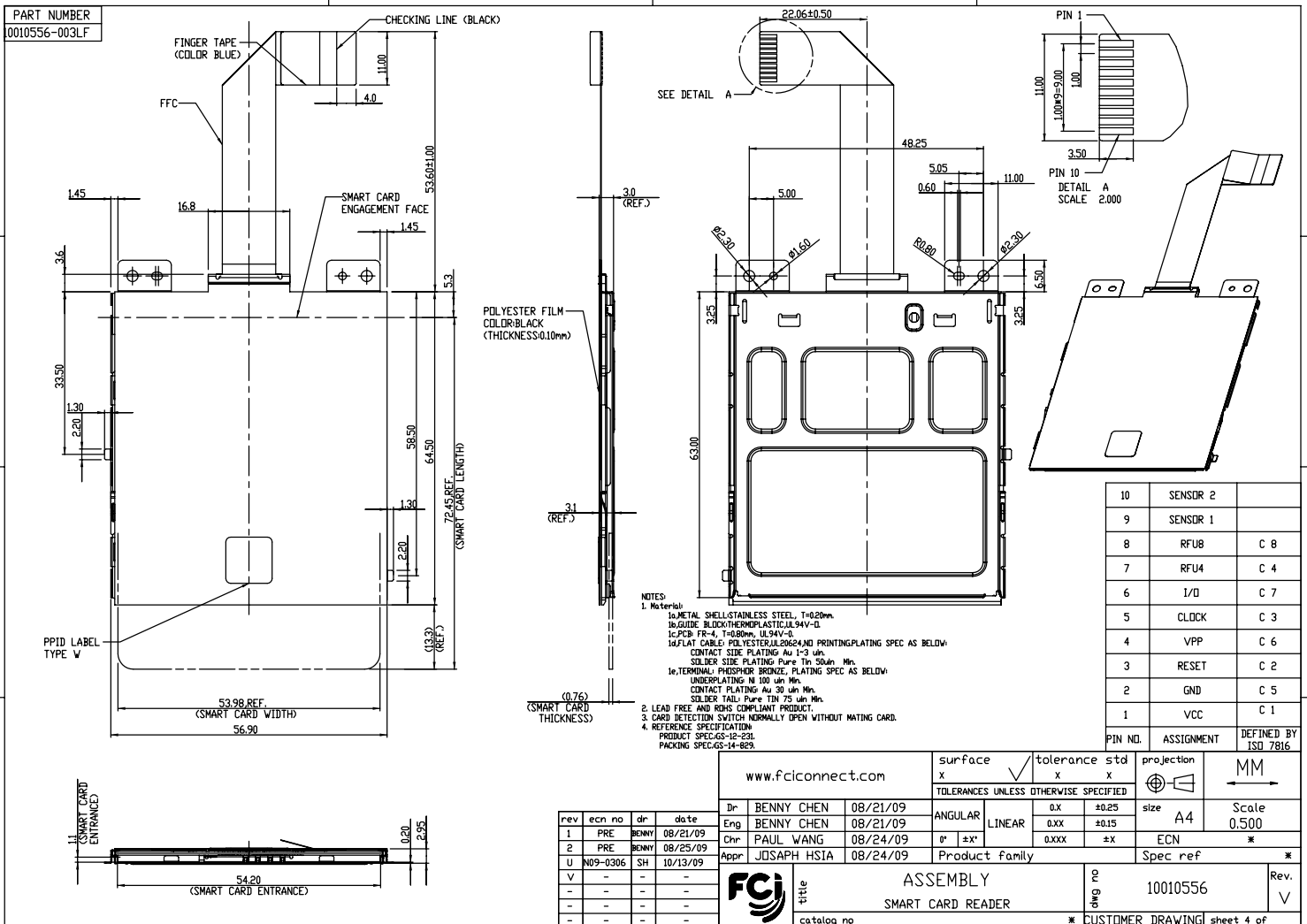
form no. 7530-001-103

mat'l. code		tolerances unless otherwise specified		CUSTOMER COPY		FCJ		www.fciconnect.com	
itr	ecn no	dr	date	linear	.XX ± .5	projection	title	SMART CARD READER	
v					.XXX ± .10		ELEC. PASSIVE COMPONENTS CIRCUIT		
				angles	0° ± 2'		product family	SMART PLUS	code
				dr	A. JUNG 8/7/02	mm	size	dwg no	10010556
				enrg	A. JUNG 8/7/02	scale	A3	sheet	3 of 18
				chr	A. JUNG 8/7/02	NONE			
				appd	JEM TSD 8/7/02				
sheet	revision								
index	sheet								

PDM: Rev:V STATUS: Released Pri: 10010556 12, 2010 6



Copyright FCI



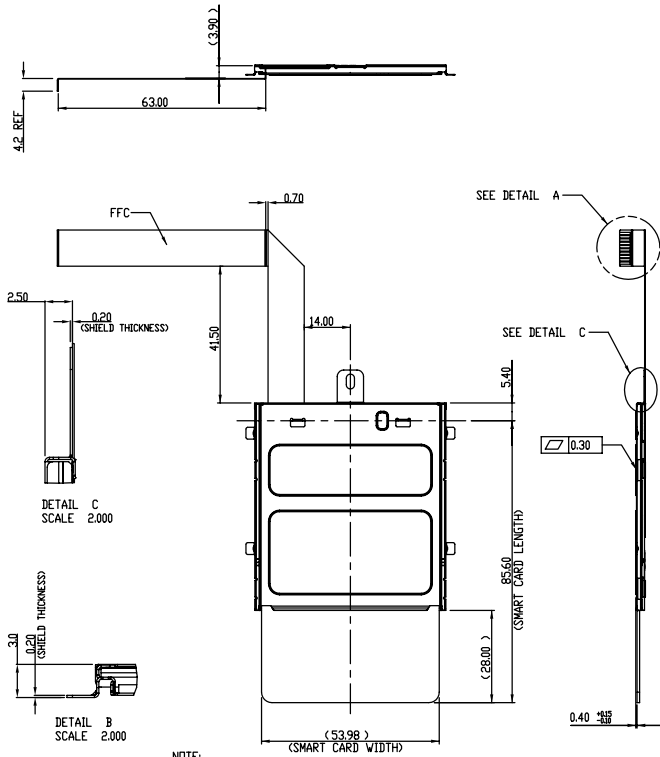
REV F - 888-99-07

Tous droits strictement réservés. Reproduction ou communication à des tiers interdite sous quelque forme que ce soit sans autorisation écrite du propriétaire. Propriété de C.FCI. Droits de reproduction FCI.

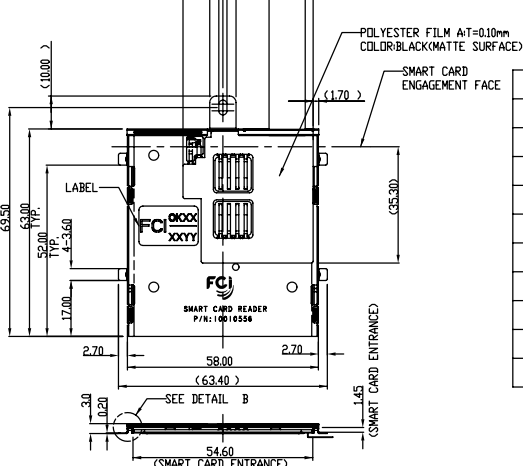
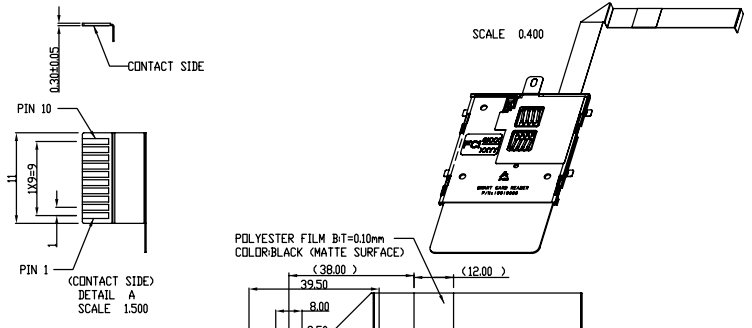


All rights strictly reserved. Reproduction or issue to third parties in any form whatever is not permitted without written authority from the proprietor. Property of FCI. Copyright FCI.

PRODUCT NO
10010556-004LF



NOTE:
1. Material:
METAL SHELL: STAINLESS STEEL, T=0.20mm
PCB: FR-4, T=0.80mm
TERMINAL: PHOSPHOR BRONZE
PLATING SPEC AS BELOW:
ALL OVER NICKEL UNDERPLATING
GOLD PLATING ON CONTACT SURFACE.
MATT. TIN PLATING ON SOLDER TAIL.
FLEXIBLE FLAT CABLE: TOTAL LENGTH=124±2mm
PLATING SPEC AS BELOW:
CONTACT SURFACE: TIN PLATING.
SOLDER TAIL: TIN PLATING.
2. CARD DETECTION SWITCH NORMALLY OPEN WITHOUT MATING CARD
3. REFERENCE SPECIFICATION:
PRODUCT SPEC. GS 12-231
PACKING SPEC. GS 14-829



PIN NO.	ASSIGNMENT
10	RFU
9	I/O
8	Vpp
7	GND
6	Sensor 2
5	Sensor 1
4	Vcc
3	Reset
2	Clock
1	RFU
PIN NO.	ASSIGNMENT

TOLERANCE UNLESS OTHERWISE SPECIFIED
XX=±0.5
LINEAR XXX=±0.3
X.XXX=±0.10
ANGLE ±0°30'

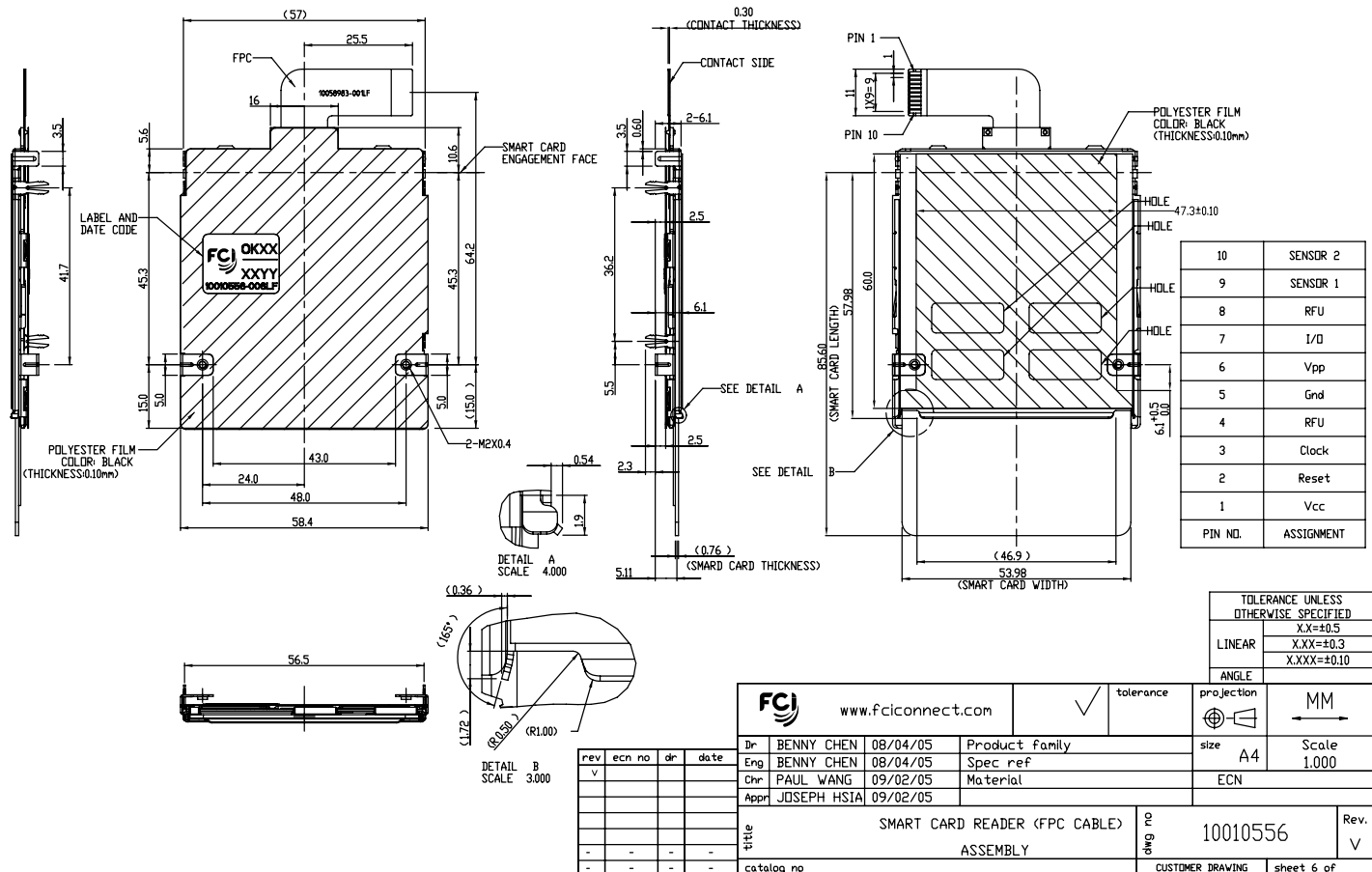
Mark with 10010556-004LF REV. in area indicated by X....		Material		Spec ref	
		Mat code		tolerance	projection
		Heattreat		size	Scale
		Plating/Finish		MM	0.500
rev	ecn no	dr	date	Product family	
V				Model Name 10010556-004LF	
			Appr Joseph Hsia	Model Revision	REL Level
FCI		title		10010556	
ASSEMBLY		SMART CARD READER		Rev. V	
Pro/E file		catalog no		CUSTOMER DRAWING sheet 5 of 6	

Tous droits strictement réservés. Reproduction ou communication à des tiers interdite sous quelque forme que ce soit sans l'autorisation écrite préalable de FCI. Droits de reproduction FCI.



All rights strictly reserved. Reproduction or issue to third parties in any form whatever is not permitted without written permission of FCI. Copyright FCI.

PRODUCT NO
10010556-006LF



PIN NO.	ASSIGNMENT
10	SENSOR 2
9	SENSOR 1
8	RFU
7	I/O
6	Vpp
5	Gnd
4	RFU
3	Clock
2	Reset
1	Vcc

TOLERANCE UNLESS OTHERWISE SPECIFIED	
LINEAR	XX=±0.5
	X.XX=±0.3
	X.XXX=±0.10
ANGLE	

www.fciconnect.com		<input checked="" type="checkbox"/> tolerance	<input type="checkbox"/> projection	<input type="checkbox"/> MM
Dr	BENNY CHEN	08/04/05	Product family	
Eng	BENNY CHEN	08/04/05	Spec ref	
Chr	PAUL WANG	09/02/05	Material	
Appr	JOSEPH HSIA	09/02/05		
title			drawing no 10010556	Rev. V
catalog no			CUSTOMER DRAWING	sheet 6 of

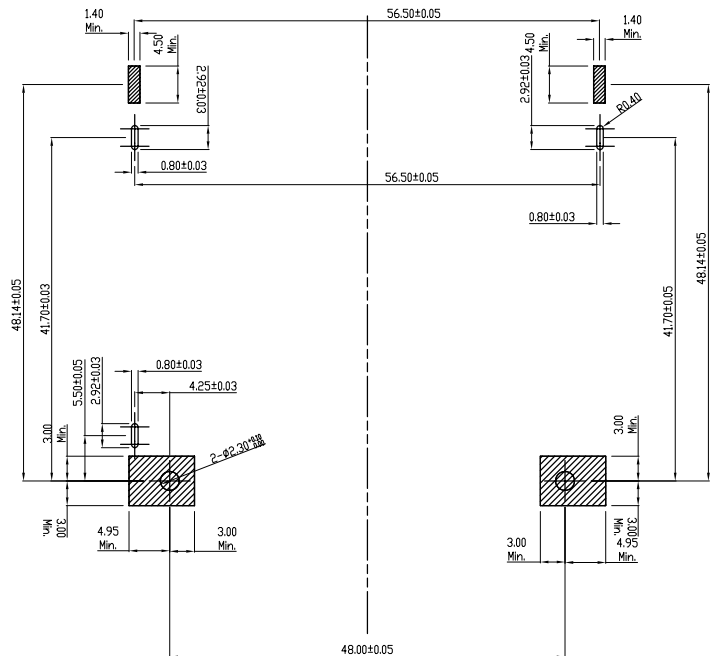
rev	ecn no	dr	date
v			

Tous droits strictement reserves. Reproduction ou communication a des tiers interdite sous quelque forme que ce soit sans autorisation écrite du propriétaire. Propriete de c.FCI. Droits de reproduction FCI.

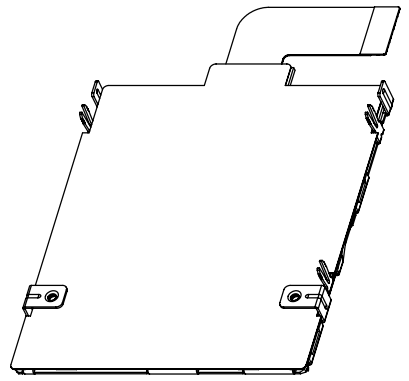


All rights strictly reserved. Reproduction or issue to third parties in any form whatever is not permitted without written authority from the proprietor. Property of FCI. Copyright FCI.

PRODUCT NO
10010556-006LF



RECOMMENDED PCB LAYOUT
(PCB THICKNESS: 1.2 mm)
(MOUNTING SIDE)



- NOTE:
- MATERIAL:
METAL SHELL: STAINLESS STEEL, T=0.40mm
PCB: FR-4, T=0.80mm
TERMINAL: PHOSPHOR BRONZE.
PLATING SPEC AS BELOW:
ALL OVER NICKEL UNDERPLATING
GOLD PLATING ON CONTACT SURFACE.
MATTE TIN PLATING ON SOLDER TAIL.
FLEX CIRCUIT CABLE(FPC):
PLATING SPEC AS BELOW:
CONTACT SURFACE: GOLD FLASH PLATING.
SOLDER TAIL: PURE TIN PLATING.
 - CARD DETECTION SWITCH NORMALLY OPEN WITHOUT MATING CARD
 - REFERENCE SPECIFICATION:
PRODUCT SPEC. GS-12-231
PACKING SPEC. GS-14-829

FCI		www.fciconnect.com		tolerance	projection	MM
Dr	BENNY CHEN	08/04/05	Product family	size	A4	Scale 1.000
Eng	BENNY CHEN	08/04/05	Spec ref	ECN		
Chr	PAUL WANG	09/02/05	Material			
Appr	JOSEPH HSIA	09/02/05				
title				Rev. V	10010556	
ASSEMBLY				sheet 7 of		
catalog no						

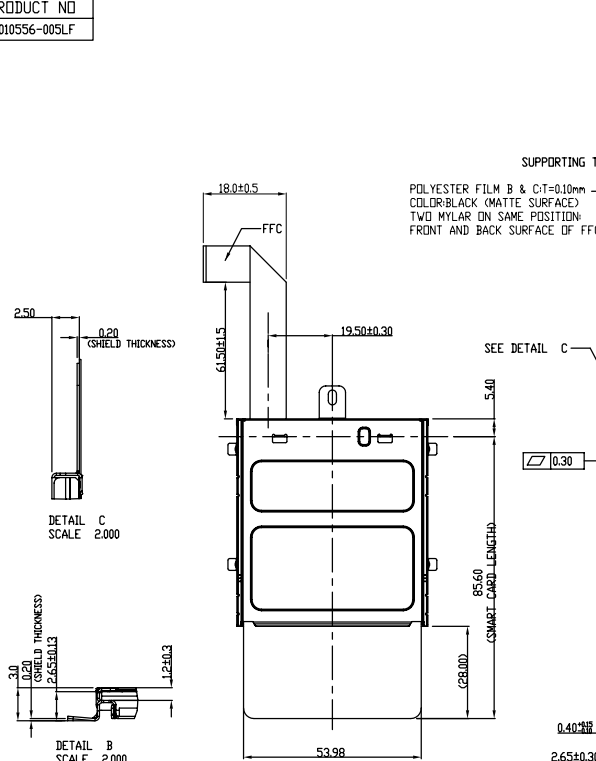
3 PDM: Rev:V STATUS: Released 4 Printed: Mar 12, 2010

Tous droits strictement réservés. Reproduction ou communication à des tiers interdite sous quelque forme que ce soit sans autorisation écrite du propriétaire. Propriété de C.FCI. Droits de reproduction FCI.

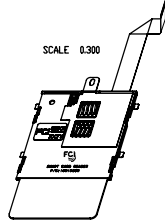
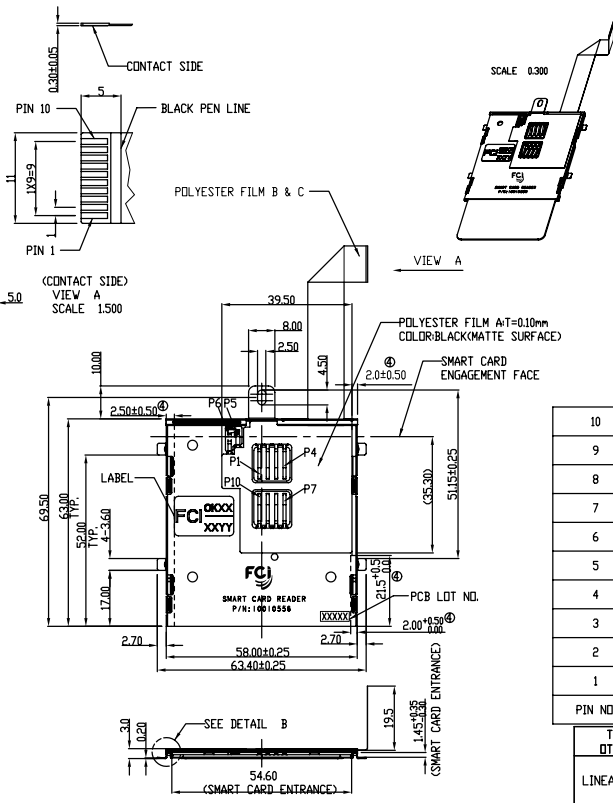


All rights strictly reserved. Reproduction or issue to third parties in any form whatever is not permitted without written authority from the proprietor. Property of FCI. Copyright FCI.

PRODUCT NO
10010556-005LF



NOTE:
1. Material:
METAL SHELL: STAINLESS STEEL, T=0.20mm
PCB: FR-4, T=0.80mm
TERMINAL: PHOSPHOR BRONZE.
PLATING SPEC AS BELOW:
ALL OVER NICKEL UNDERPLATING
GOLD PLATING ON CONTACT SURFACE.
MATTE TIN PLATING ON SOLDER TAIL.
FLEXIBLE FLAT CABLE: TOTAL LENGTH=103.5±2mm
PLATING SPEC AS BELOW:
CONTACT SURFACE: TIN PLATING.
SOLDER TAIL: TIN PLATING.
2. CARD DETECTION SWITCH NORMALLY OPEN WITHOUT MATING CARD
3. REFERENCE SPECIFICATION:
PRODUCT SPEC. GS 12-231
PACKING SPEC. GS 14-829
④ THE AREA IS PROHIBITED TO PASTE THE MYLAR AND LABEL.



10	RFU
9	I/O
8	Vpp
7	GND
6	Sensor 2
5	Sensor 1
4	Vcc
3	Reset
2	Clock
1	RFU
PIN NO.	ASSIGNMENT

TOLERANCE UNLESS OTHERWISE SPECIFIED	
LINEAR	X.XX=±0.25 X.XXX=±0.13 X.XXX=±0.050
ANGLE	±0°30'

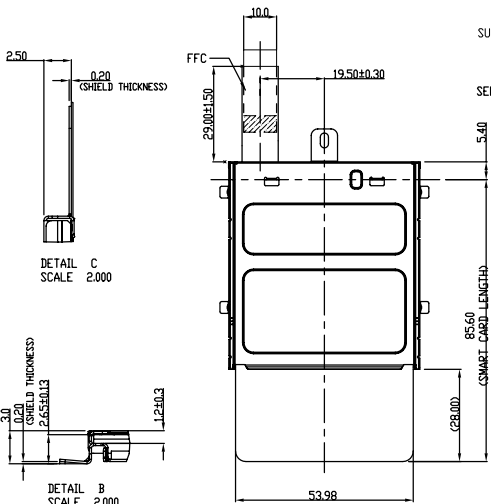
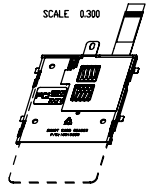
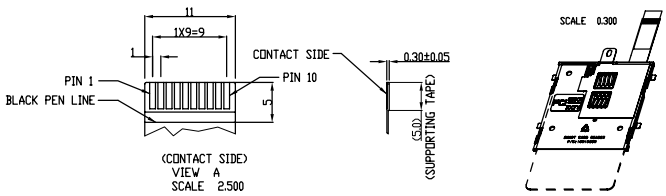
Mark with 10010556-004LF REV. in area indicated by X....		Material		Spec ref	
		Mat code		tolerance	
		Heattreat		projection	
		Plating/Finish		MM	
rev	ecn no	dr	date	Eng	DANIEL TAD 07/05/07
V				Chr	DANIEL TAD 07/05/07
				Product family	
				Model Name 10010556-005LF	
				Model Revision	
				REL Level	
FCI		title		ASSEMBLY	
		Pro/E file		catalog no	
		Rev. V		10010556	
		CUSTOMER DRAWING		sheet 8 of	

Tous droits strictement réservés. Reproduction ou communication à des tiers interdite sous quelque forme que ce soit sans autorisation écrite du propriétaire. Propriété de C.FCI. Droits de reproduction FCI.



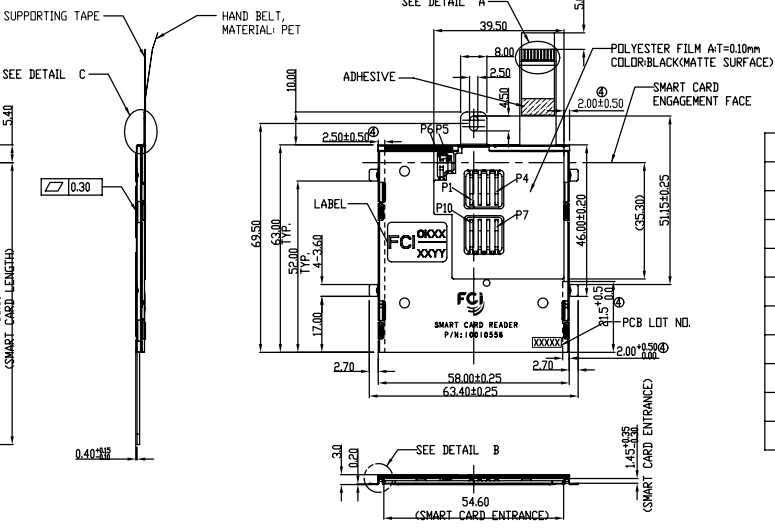
All rights strictly reserved. Reproduction or issue to third parties in any form whatever is not permitted without written authority from the proprietor. Property of FCI. Copyright FCI.

PRODUCT NO
10010556-008LF



DETAIL C
SCALE 2.000

DETAIL B
SCALE 2.000



10	RFU
9	I/O
8	Vpp
7	GND
6	Sensor 2
5	Sensor 1
4	Vcc
3	Reset
2	Clock
1	RFU
PIN NO.	ASSIGNMENT

TOLERANCE UNLESS OTHERWISE SPECIFIED	
LINEAR	XX=±0.5 XXX=±0.3 XXX=±0.10
ANGLE	±0°30'

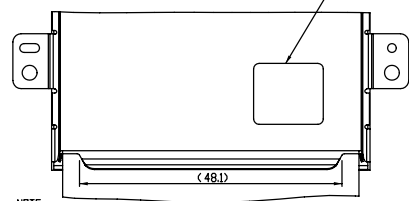
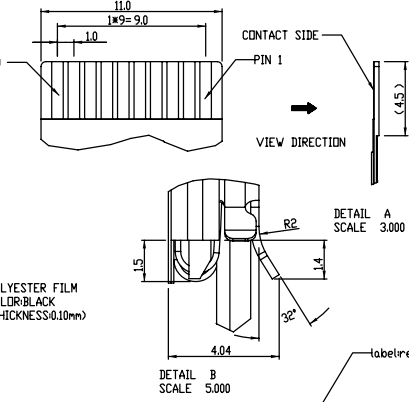
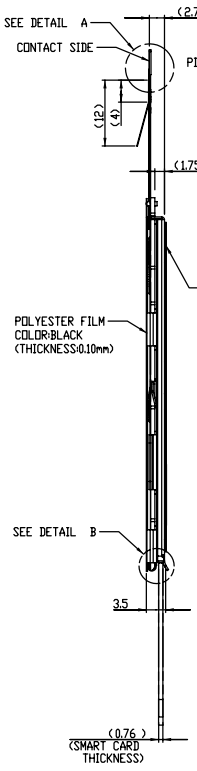
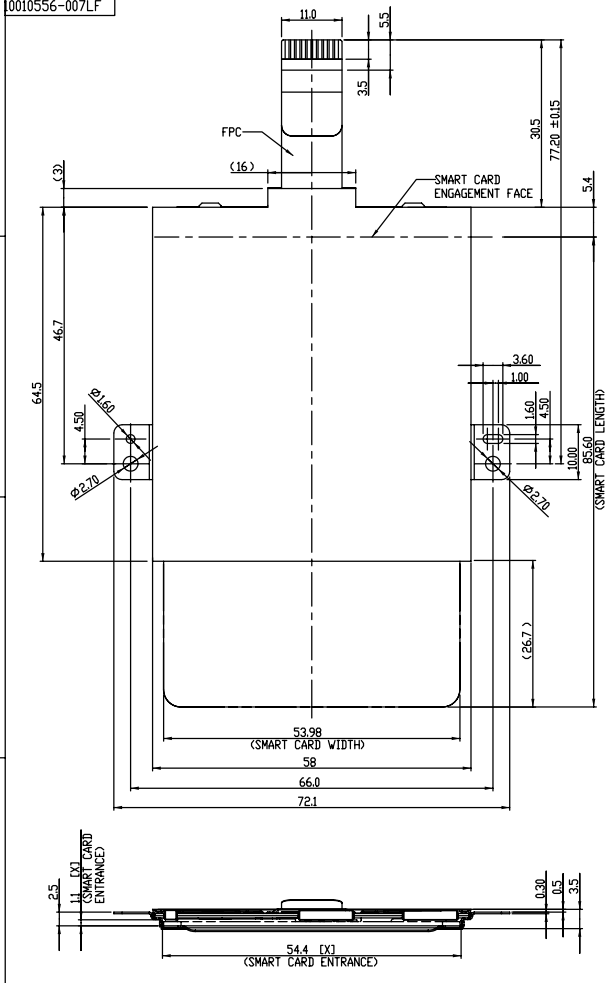
- NOTE:
1. Material:
METAL SHELL: STAINLESS STEEL, T=0.20mm
PCB: FR-4, T=0.80mm
TERMINAL: PHOSPHOR BRONZE.
PLATING SPEC AS BELOW:
ALL OVER NICKEL UNDERPLATING
GOLD PLATING ON CONTACT SURFACE.
MATTE TIN PLATING ON SOLDER TAIL.
FLEXIBLE FLAT CABLE: TOTAL LENGTH=33.5±1mm
PLATING SPEC AS BELOW:
CONTACT SURFACE: TIN PLATING.
SOLDER TAIL: TIN PLATING.
2. CARD DETECTION SWITCH NORMALLY OPEN WITHOUT MATING CARD
3. REFERENCE SPECIFICATION:
PRODUCT SPEC. GS 12-231
PACKING SPEC. GS 14-829
④ THE AREA IS PROHIBITED TO PASTE THE MYLAR AND LABEL.

Mark with 10010556-004LF REV. in area indicated by X....		Material		Spec ref	
		Mat code		tolerance	
		Heat treat		projection	
		Plating/Finish		size	
rev	ecn no	dr	date	A4	
v				Scale 0.500	
		Br DANIEL TAD 07/05/07		Product family	
		Eng DANIEL TAD 07/05/07		Model Name 10010556-008LF	
		Chr DANIEL TAD 07/05/07		Model Revision	
		Appr JOSEPH HSIA 07/05/07		REL Level	
		FCI		title	
		ASSEMBLY		10010556	
		SMART CARD READER		Rev. V	
		Pro/E file catalog no		CUSTOMER DRAWING sheet 9 of	



Copyright FCI

PART NUMBER
10010556-007LF



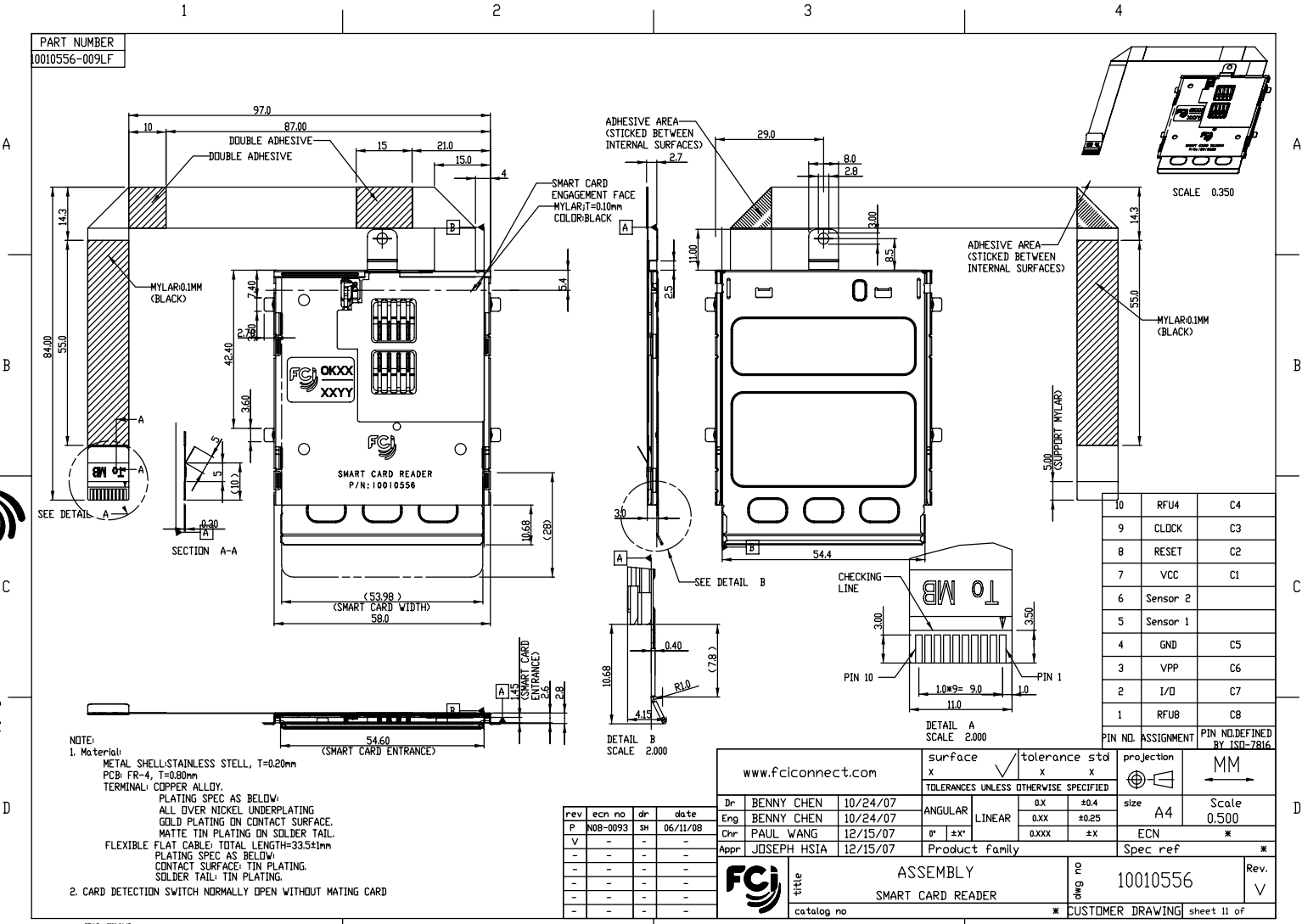
PIN NO.	ASSIGNMENT
10	SENSOR 2
9	SENSOR 1
8	RFU
7	I/O
6	VPP
5	GND
4	RFU
3	CLOCK
2	RESET
1	VCC

NOTE:
1. Material:
METAL SHELL: STAINLESS STEEL, T=0.30mm
GUIDE BLOCK: THERMOPLASTIC, UL94V-0.
PCB: FR-4, T=0.80mm, UL94V-0.
PCB: POLYIMIDE, T=0.30mm, UL94V-0.
FPC: POLYIMIDE, T=0.30mm, UL94V-0.
PLATING SPEC AS BELOW:
UNDERPLATING: Ni 50 uin Min.
CONTACT SIDE PLATING: Au 3 uin Min.
SOLDER SIDE PLATING: Pure Tin 100 uin Min.
TERMINAL: COPPER ALLOY.
PLATING SPEC AS BELOW:
UNDERPLATING: Ni 50 uin Min.
CONTACT PLATING: Au 30 uin Min.
SOLDER TAIL: Pure TIN 75 uin Min.
2. CARD DETECTION SWITCH NORMALLY OPEN WITHOUT MATING CARD
3. REFERENCE SPECIFICATION
PRODUCT SPEC: GS-12-231
PACKING SPEC: GS-14-829.

rev	ecn no	dr	date
M	N08-0024	BENNY	03/05/08
N	N08-0045	BENNY	05/05/08
V			

www.fciconnect.com		surface	tolerance std	projection	MM
		x	x	x	
		TOLERANCES UNLESS OTHERWISE SPECIFIED			
Dr	BENNY CHEN	07/23/07	ANGULAR	0.X	±0.25
Eng	BENNY CHEN	07/23/07	LINEAR	0.XX	±0.15
Chr	PAUL WANG	09/10/07	0° ±3°	0.XXX	±
Appr	JOSEPH HSIA	09/11/07	Product family	ECN	*
				Spec ref	*
FCI		ASSEMBLY		10010556	Rev. V
title		SMART CARD READER		* CUSTOMER DRAWING sheet 10 of	
catalog no					

PART NUMBER
10010556-009LF



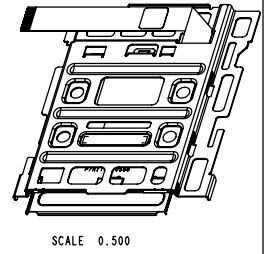
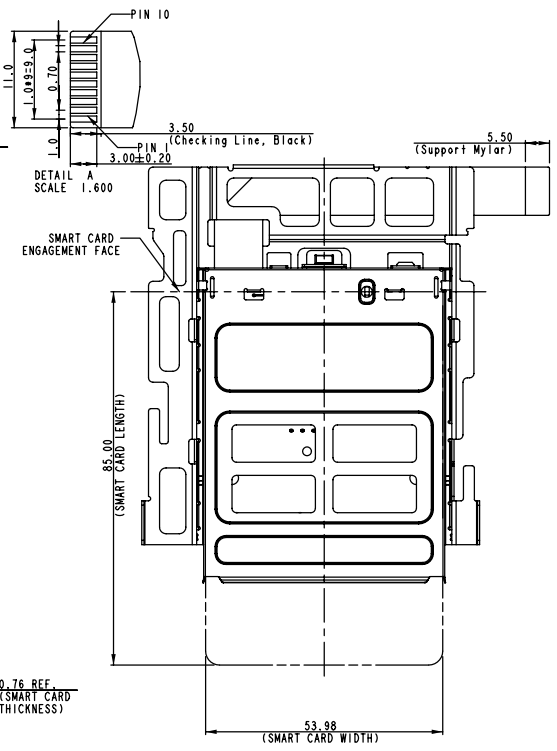
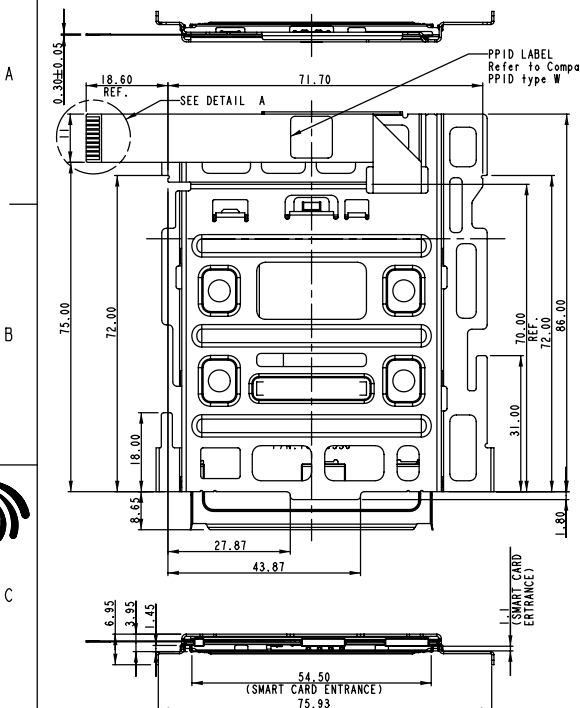
10	RFU4	C4
9	CLOCK	C3
8	RESET	C2
7	VCC	C1
6	Sensor 2	
5	Sensor 1	
4	GND	C5
3	VPP	C6
2	I/O	C7
1	RFU8	C8

NOTE:
1. Material:
METAL SHELL: STAINLESS STEEL, T=0.20mm
PCB: FR-4, T=0.60mm
TERMINAL: COPPER ALLOY.
PLATING SPEC AS BELOW:
ALL OVER NICKEL UNDERPLATING
GOLD PLATING ON CONTACT SURFACE.
MATTE TIN PLATING ON SOLDER TAIL.
FLEXIBLE FLAT CABLE: TOTAL LENGTH=33.5±1mm
PLATING SPEC AS BELOW:
CONTACT SURFACE: TIN PLATING.
SOLDER TAIL: TIN PLATING.
2. CARD DETECTION SWITCH NORMALLY OPEN WITHOUT MATING CARD

rev	ecn no	dr	date
P	N08-0093	SH	06/11/08
V	-	-	-
-	-	-	-
-	-	-	-
-	-	-	-
-	-	-	-

www.fciconnect.com		surface	tolerance	std	projection	MM
Dr	BENNY CHEN	10/24/07	x	x	MM	
Eng	BENNY CHEN	10/24/07	ANGULAR	LINEAR	size	Scale
Chr	PAUL WANG	12/15/07	0° ±x°	0.xx	A4	0.500
Appr	JOSEPH HSIA	12/15/07	Product family	ECN	Spec ref	
FCj		title		10010556		Rev.
ASSEMBLY		SMART CARD READER		* CUSTOMER DRAWING		sheet 11 of

PART NUMBER
10010556-010LF



PIN NO.	ASSIGNMENT	PIN NO. DEFINED BY ISO-7816
10	VCC	C1
9	Reset	C2
8	Clock	C3
7	RFU4	C4
6	Gnd	C5
5	VPP	C6
4	I/O	C7
3	RFU8	C8
2	SENSOR 2	
1	SENSOR 1	

NOTE:
1. Material:
METAL SHELL: STAINLESS STEEL
BRACKET: STEEL
GUIDE BLOCK: THERMOPLASTIC, UL94V-0.
PCB: FR-4, T=0.80mm, UL94V-0.
FFC: POLYESTER, UL20624.
PLATING SPEC AS BELOW:
CONTACT SIDE PLATING: GOLD.
SOLDER SIDE PLATING: Pure Tin.
TERMINAL: COPPER ALLOY.
PLATING SPEC AS BELOW:
UNDERPLATING: NICKEL.
CONTACT PLATING: GOLD.
SOLDER TAIL: Pure TIN.
2. CARD DETECTION SWITCH NORMALLY OPEN WITHOUT MATING CARD
3. REFERENCE SPECIFICATION:
PRODUCT SPEC.: GS-12-231.
PACKING SPEC.: GS-14-829.

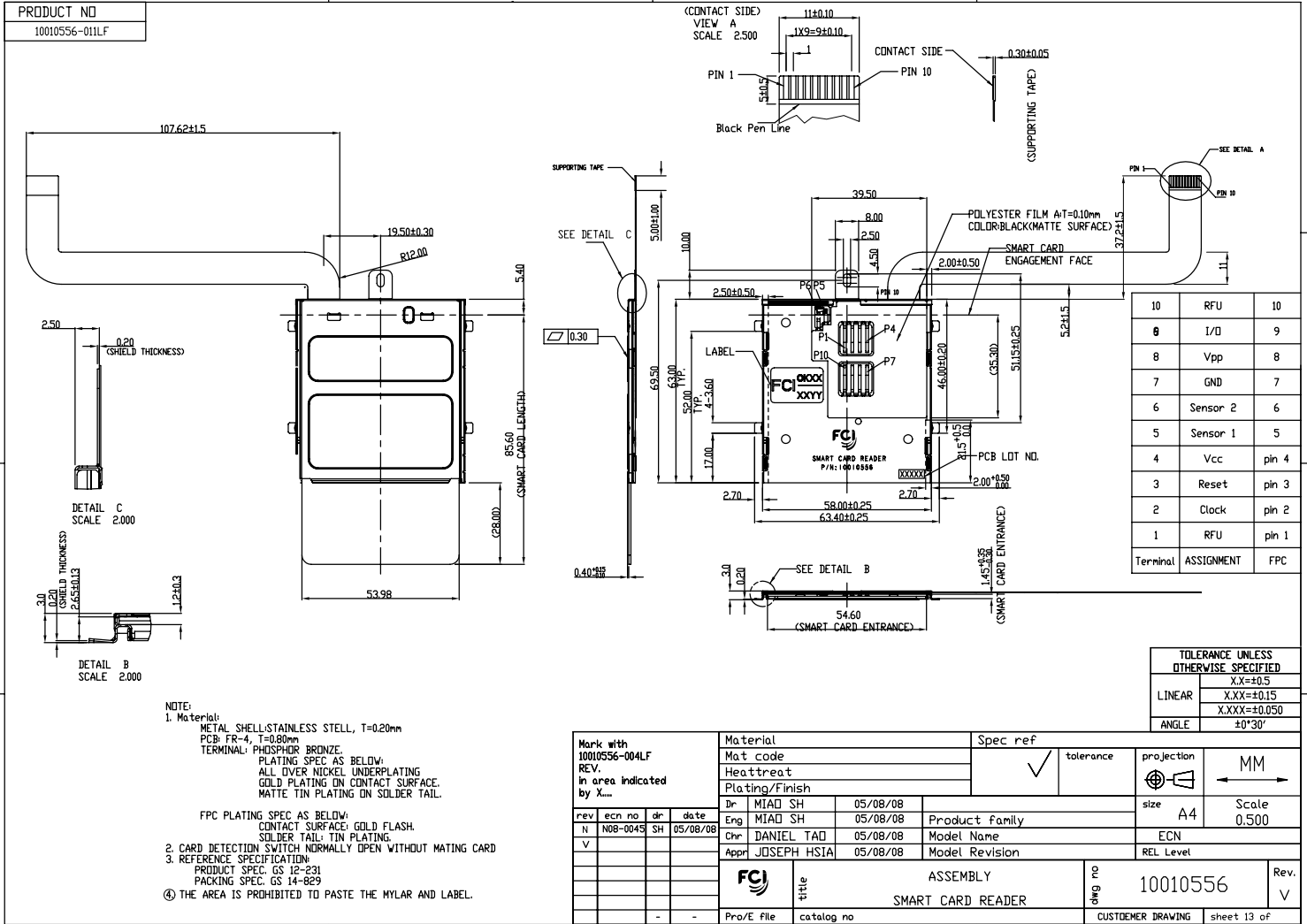
rev	ecn no	dr	date
P	N08-0093	SH	06/11/08
R	N08-0136	SH	07/01/08
S	N08-0212	SH	10/06/08
V	-	-	-
-	-	-	-
-	-	-	-

www.fciconnect.com		surface	tolerance std	projection	MM
Dr	BENNY CHEN	02/05/08	X	X	
Eng	BENNY CHEN	02/05/08	TOLERANCES UNLESS OTHERWISE SPECIFIED		
Chr	PAUL WANG	02/13/08	ANGULAR	LINEAR	size A4 Scale 1.000
Appr	JOSEPH HSIA	02/15/08	0° ±X	0.X ±0.3	ECN *
Product family		0.XXX ±X		Spec ref *	
FCj		ASSEMBLY		10010556	
catalog no		SMART CARD READER		Rev. V	
		* CUSTOMER DRAWING		sheet 12 of 12	

Tous droits strictement réservés. Reproduction ou communication à des tiers interdite sous quelque forme que ce soit sans autorisation écrite du propriétaire. Propriété de C.FCI. Droits de reproduction FCI.



All rights strictly reserved. Reproduction or issue to third parties in any form whatever is not permitted without written authority from the proprietor. Property of FCI. Copyright FCI.



NOTE:
 1. Material:
 METAL SHELL: STAINLESS STEEL, T=0.20mm
 PCB: FR-4, T=0.80mm
 TERMINAL: PHOSPHOR BRONZE.
 PLATING SPEC AS BELOW:
 ALL OVER NICKEL UNDERPLATING
 GOLD PLATING ON CONTACT SURFACE.
 MATTE TIN PLATING ON SOLDER TAIL.
 FPC PLATING SPEC AS BELOW:
 CONTACT SURFACE: GOLD FLASH.
 SOLDER TAIL: TIN PLATING.
 2. CARD DETECTION SWITCH NORMALLY OPEN WITHOUT MATING CARD
 3. REFERENCE SPECIFICATION:
 PRODUCT SPEC. GS 12-231
 PACKING SPEC. GS 14-829
 ④ THE AREA IS PROHIBITED TO PASTE THE MYLAR AND LABEL.

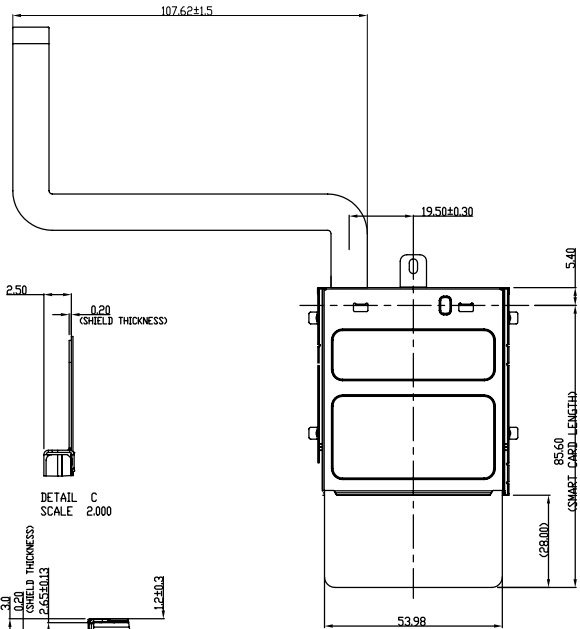
Mark with 10010556-004LF REV. in area indicated by X...		Material		Spec ref	
rev ecn no dr date		Mat code		tolerance	
N N08-0049 SH 05/08/08		Heattreat		projection	
V		Plating/Finish		size A4	
		Br MIAD SH 05/08/08		Scale 0.500	
		Eng MIAD SH 05/08/08		ECN	
		Chr DANIEL TAD 05/08/08		REL Level	
		Appr JOSEPH HSIA 05/08/08		Model Name	
				Model Revision	
		FCI		title	
				ASSEMBLY	
				SMART CARD READER	
		Pro/E file		catalog no	
				drawing no	
				10010556	
				Rev. V	
				CUSTOMER DRAWING	
				sheet 13 of	

Tous droits strictement réservés. Reproduction ou communication à des tiers interdite sous quelque forme que ce soit sans autorisation écrite du propriétaire. Propriété de FCI. Droits de reproduction FCI.



All rights strictly reserved. Reproduction or issue to third parties in any form whatever is not permitted without written authority from the proprietor. Property of FCI. Copyright FCI.

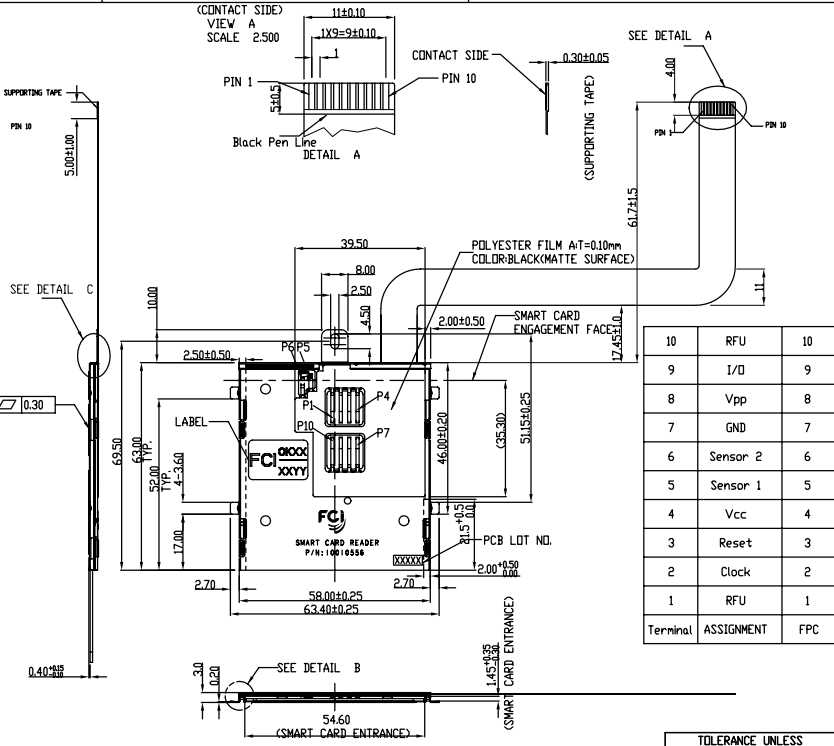
PRODUCT NO
10010556-012LF



DETAIL C
SCALE 2.000

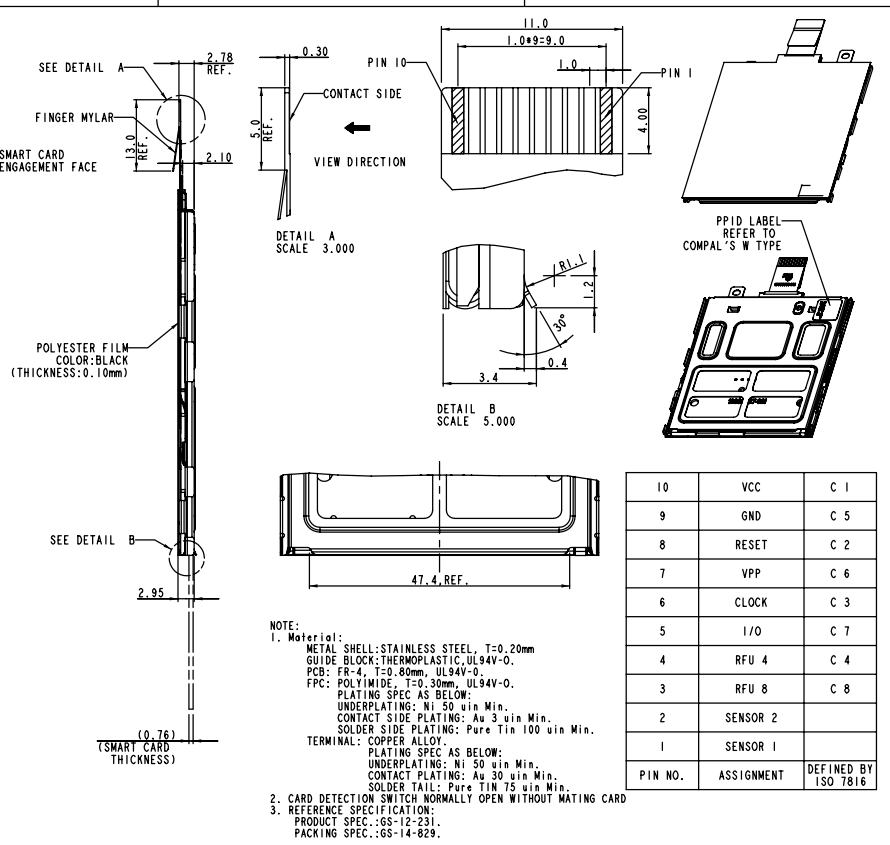
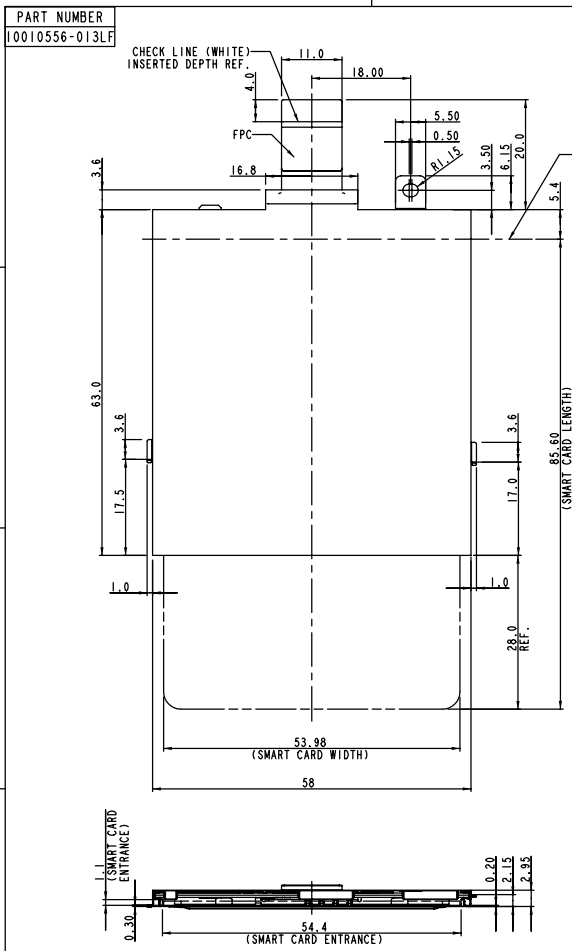
DETAIL B
SCALE 2.000

- NOTE:
1. Material:
METAL SHELL: STAINLESS STEEL, T=0.20mm
PCB: FR-4, T=0.80mm
TERMINAL: PHOSPHOR BRONZE.
PLATING SPEC AS BELOW:
ALL OVER NICKEL UNDERPLATING
GOLD PLATING ON CONTACT SURFACE.
MATTE TIN PLATING ON SOLDER TAIL.
FPC PLATING SPEC AS BELOW:
CONTACT SURFACE: GOLD FLASH.
SOLDER TAIL: TIN PLATING.
2. CARD DETECTION SWITCH NORMALLY OPEN WITHOUT MATING CARD
3. REFERENCE SPECIFICATION:
PRODUCT SPEC. GS 12-231
PACKING SPEC. GS 14-829
4. THE AREA IS PROHIBITED TO PASTE THE MYLAR AND LABEL.





Copyright FCI.



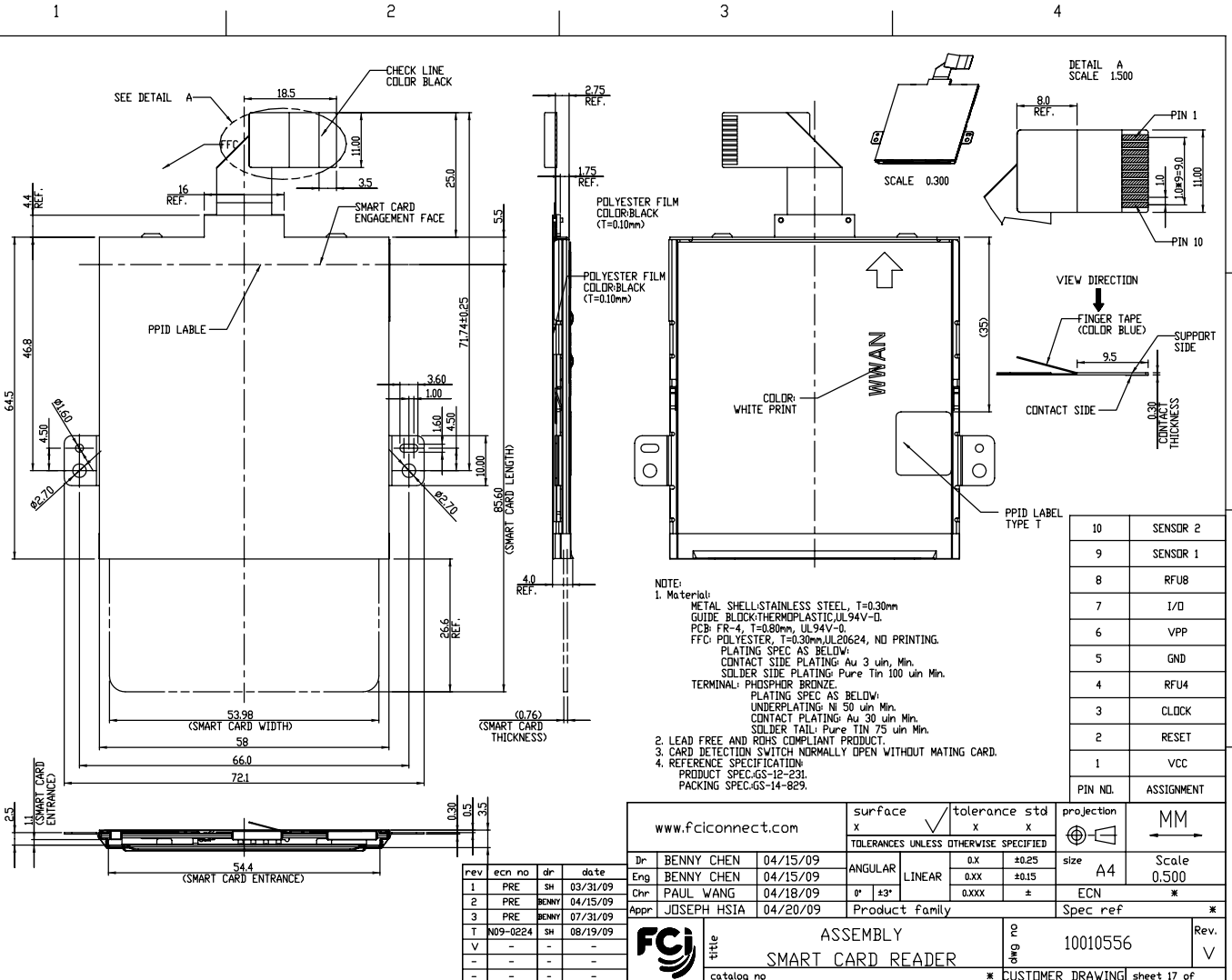
10	VCC	C 1
9	GND	C 5
8	RESET	C 2
7	VPP	C 6
6	CLOCK	C 3
5	I/O	C 7
4	RFU 4	C 4
3	RFU 8	C 8
2	SENSOR 2	
1	SENSOR 1	
PIN NO.	ASSIGNMENT	DEFINED BY ISO 7816

rev	ecn no	dr	date
R	N08-0136	BENNY	05/08/08
S	N08-0212	SH	10/06/08
V			

www.fciconnect.com		surface	tolerance	std	projection	MM
Dr	BENNY CHEN	05/08/08	ANGULAR	LINEAR	0.X ±0.25	size A4 Scale 0.500
Eng	BENNY CHEN	05/08/08	0° ±3°	0.XX ±0.15	ECN	*
Chr	PAUL WANG	05/19/08	Product family	Spec ref		
Appr	JOSEPH HSIA	06/16/08				
FCI		ASSEMBLY		Part no	10010556	Rev. v
catalog no		SMART CARD READER		* CUSTOMER DRAWING sheet 15 of		

3 PDM: Rev:V STATUS:Released 4 Printed: Mar 12, 2010

PART NUMBER
10010556-01SLF



PIN NO.	ASSIGNMENT
10	SENSOR 2
9	SENSOR 1
8	RFUB
7	I/D
6	VPP
5	GND
4	RFU4
3	CLOCK
2	RESET
1	VCC

www.fciconnect.com		surface	tolerance	std	projection	MM
Dr	BENNY CHEN	x	x	x	MM	
Eng	BENNY CHEN	TOLERANCES UNLESS OTHERWISE SPECIFIED		0X	±0.25	size A4
Chr	PAUL WANG	0°	±3°	0.XX	±0.15	
Appr	JOSEPH HSIA	Product family	Spec ref	ECN	*	Scale 0.500
		ASSEMBLY SMART CARD READER		catalog no * CUSTOMER DRAWING	10010556 sheet 17 of	Rev. V

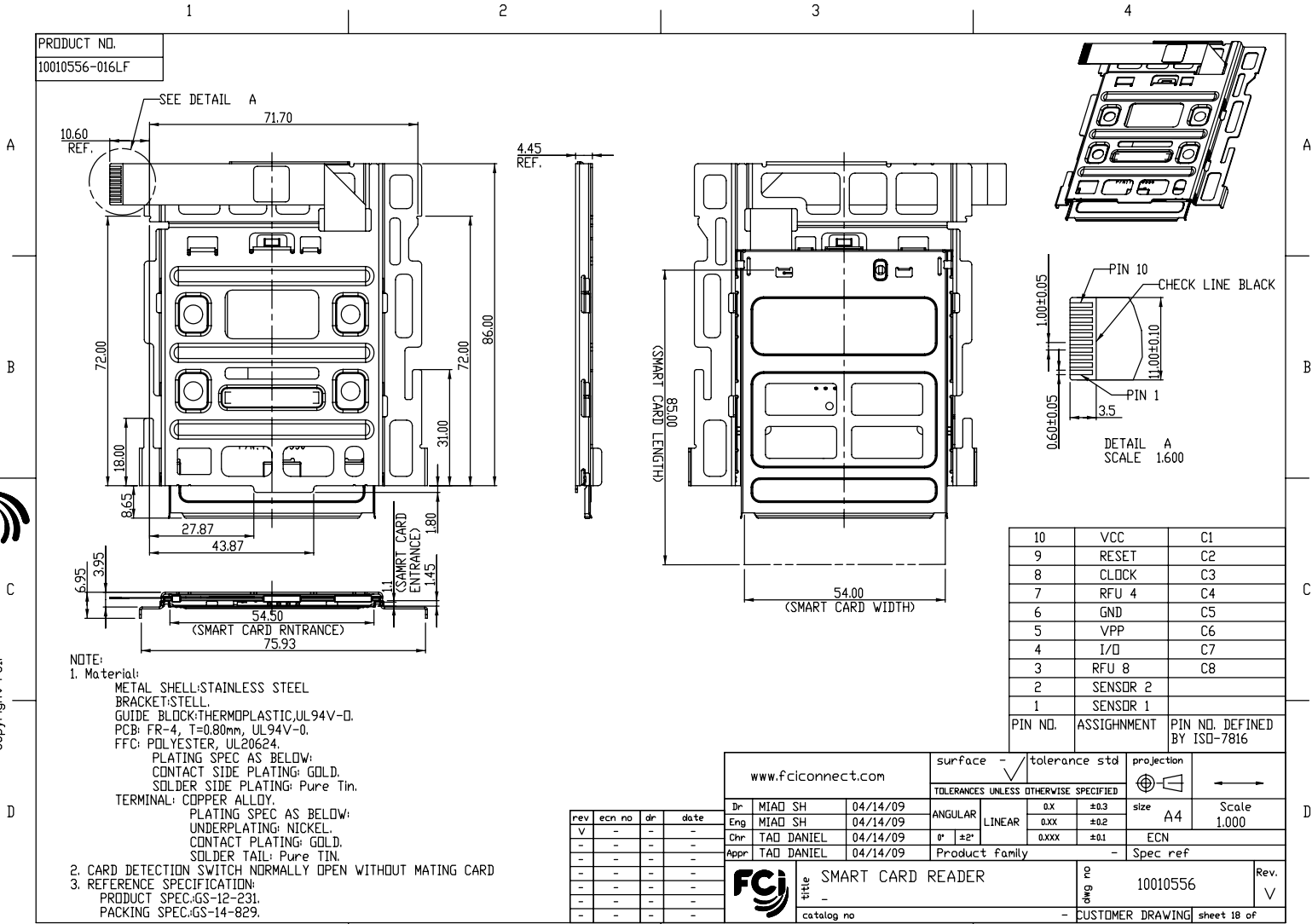
rev	ecn no	dr	date
1	PRE	SH	03/31/09
2	PRE	BENNY	04/15/09
3	PRE	BENNY	07/31/09
T	N09-0224	SH	08/19/09
V	-	-	-
-	-	-	-



Copyright FCJ

3 PDM: Rev:V STATUS: Released 4 Printed: Mar 12, 2010

PRODUCT NO.
10010556-016LF



NOTE:

1. Material:

METAL SHELL: STAINLESS STEEL
 BRACKET: STEEL
 GUIDE BLOCK: THERMOPLASTIC, UL94V-0.
 PCB: FR-4, T=0.80mm, UL94V-0.
 FCC: POLYESTER, UL20624.
 PLATING SPEC AS BELOW:
 CONTACT SIDE PLATING: GOLD.
 SOLDER SIDE PLATING: Pure Tin.
 TERMINAL: COPPER ALLOY.

PLATING SPEC AS BELOW:
 UNDERPLATING: NICKEL.
 CONTACT PLATING: GOLD.
 SOLDER TAIL: Pure TIN.

2. CARD DETECTION SWITCH NORMALLY OPEN WITHOUT MATING CARD
 3. REFERENCE SPECIFICATION:
 PRODUCT SPEC: GS-12-231.
 PACKING SPEC: GS-14-829.

10	VCC	C1
9	RESET	C2
8	CLOCK	C3
7	RFU 4	C4
6	GND	C5
5	VPP	C6
4	I/O	C7
3	RFU 8	C8
2	SENSOR 2	
1	SENSOR 1	
PIN NO.	ASSIGNMENT	PIN NO. DEFINED BY ISO-7816

www.fciconnect.com		surface	tolerance std	projection	
TOLERANCES UNLESS OTHERWISE SPECIFIED		ANGULAR	LINEAR	size	Scale
		0x	±0.3	A4	1.000
		0xx	±0.2	ECN	
		0xxx	±0.1	Spec ref	
Dr MIAD SH 04/14/09		Product family			
Eng MIAD SH 04/14/09		Product family			
Chr TAD DANIEL 04/14/09		Product family			
Appr TAD DANIEL 04/14/09		Product family			
FCJ		title SMART CARD READER		10010556	Rev. V
catalog no		CUSTOMER DRAWING		sheet 18 of	

rev	ecn no	dr	date
V	-	-	-
-	-	-	-
-	-	-	-
-	-	-	-
-	-	-	-
-	-	-	-
-	-	-	-
-	-	-	-
-	-	-	-



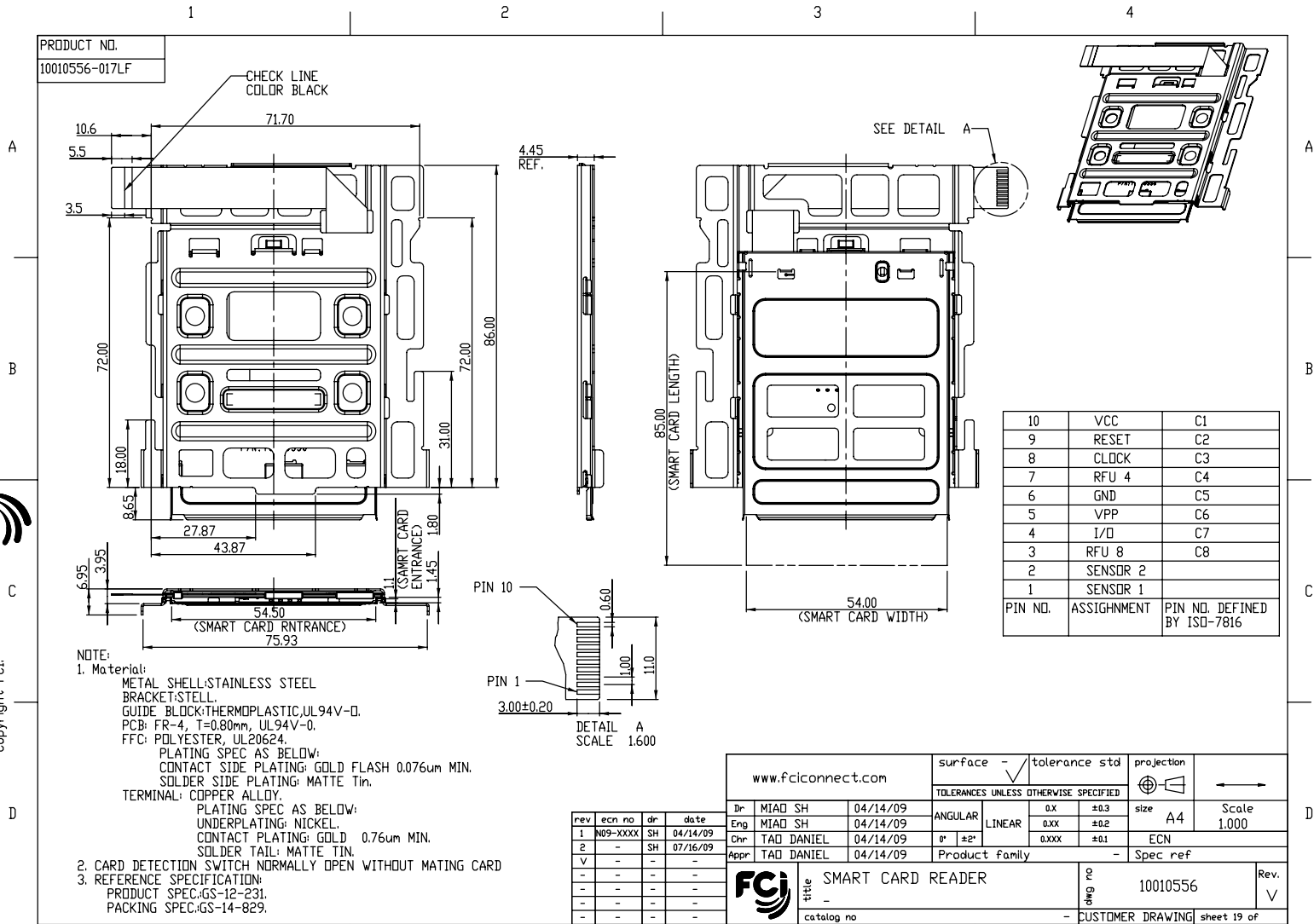
Copyright FCJ



Copyright FCJ

PRODUCT NO.
10010556-017LF

CHECK LINE
COLOR BLACK



rev	ecn no	dr	date
1	N09-XXXX	SH	04/14/09
2	-	SH	07/16/09
V	-	-	-
-	-	-	-
-	-	-	-
-	-	-	-

www.fciconnect.com		surface	tolerance std	projection	
Dr MIAD SH 04/14/09		ANGULAR	0X ±0.3	size A4	Scale 1.000
Eng MIAD SH 04/14/09		LINEAR	0XX ±0.2	ECN	
Chr TAD DANIEL 04/14/09		0° ±2°	0XXX ±0.1	Spec ref	
Appr TAD DANIEL 04/14/09		Product family	-	-	
FCJ title SMART CARD READER		part no	10010556	Rev. V	
catalog no		- CUSTOMER DRAWING		sheet 19 of	

PRODUCT NO
10010556-018LF

A

B

C

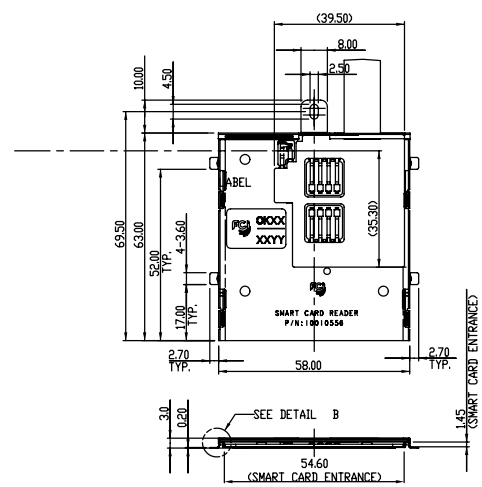
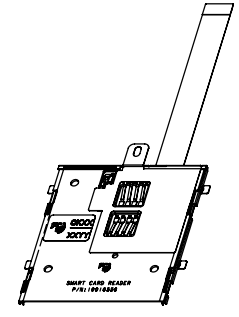
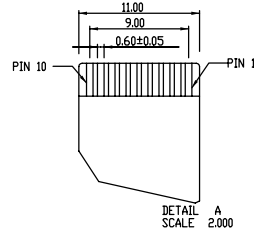
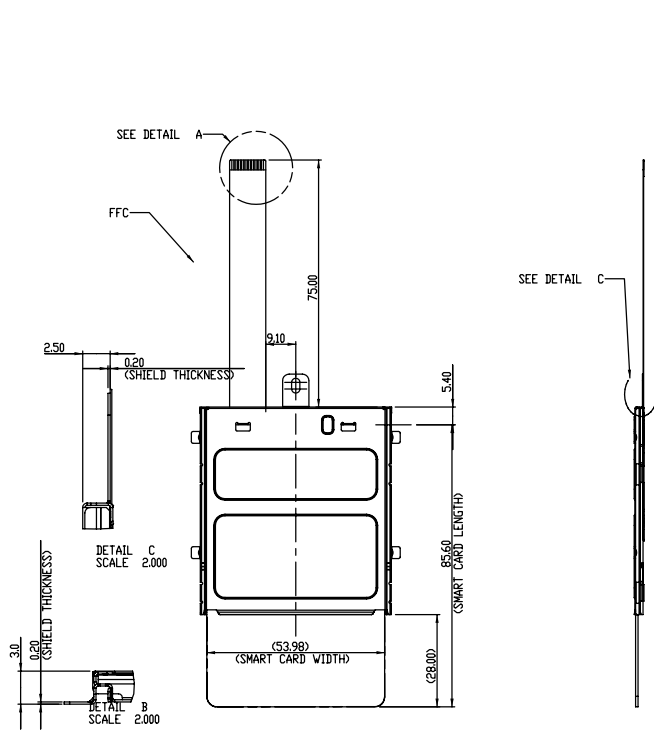
D

1

2

3

4



PIN NO.	ASSIGNMENT
10	RFU
9	I/O
8	Vpp
7	GND
6	Sensor 2
5	Sensor 1
4	Vcc
3	Reset
2	Clock
1	RFU

TOLERANCE UNLESS OTHERWISE SPECIFIED	
LINEAR	X.XX=±0.8 X.XXX=±0.3 X.XXX=±0.13
ANGLE	±3°

NOTE:
1. Material:
METAL SHELL: STAINLESS STEEL, T=0.20mm
PCB: FR-4, T=0.80mm
TERMINAL: PHOSPHOR BRONZE.
PLATING SPEC AS BELOW:
ALL OVER NICKEL UNDERPLATING
GOLD PLATING ON CONTACT SURFACE.
MATTIE TIN PLATING ON SOLDER TAIL.
FLEXIBLE FLAT CABLE: TOTAL LENGTH=124±2mm
PLATING SPEC AS BELOW:
CONTACT SURFACE: TIN PLATING.
SOLDER TAIL: TIN PLATING.
2. CARD DETECTION SWITCH NORMALLY OPEN WITHOUT MATING CARD
3. REFERENCE SPECIFICATION:
PRODUCT SPEC. GS 12-231
PACKING SPEC. GS 14-829

rev	ecn no	dr	date
1	-	SH	09/25/09
V	-	-	-
-	-	-	-
-	-	-	-
-	-	-	-
-	-	-	-

www.fciconnect.com		surface	tolerance std	projection	
Dr	MIAD SH	09/25/09	ANGULAR	LINEAR	size A4 Scale 0.500
Eng	MIAD SH	09/25/09	0° ±*	0.XX ±0.8 0.XXX ±0.25 0.XXX ±0.13	ECN
Chr	TAD DANIEL	09/25/09	Product family		Spec ref
Appr					
FCj		title SMART CARD READER		tblg no	10010556
catalog no				Rev.	V
				sheet 20 of	

REV F - 09-09-07

1

2

3 PDM: Rev:V

STATUS: Released

4 Printed: Mar 12, 2010