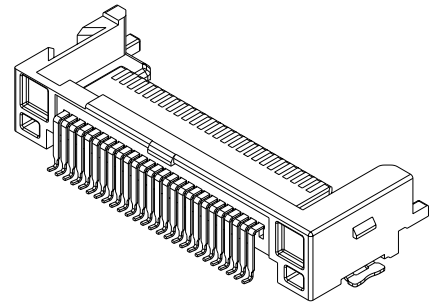


SCALE 2.000



SCALE 2.000

NOTES :

1. MATERIAL:  
HOUSING: HIGH TEMPERATURE THERMOPLASTIC,  
UL 94 V-0 FLAME RETARDANT.  
TERMINAL: COPPER ALLOY.  
PLATING SPEC. AS BELOW :  
Ni 50u" UNDER PLATED.  
Au OR GXT OVER CONTACT AREA. (ONE SIDE)  
Tin 120u" OVER SOLDERING AREA.
2. PACKING SPEC. GS-14-924.
3. PRODUCT PERFORMANCE PER SPEC. GS-12-285.
4. PART NUMBER SCHEME: (EX. 10056265-222ABTMLF)  
10056265-X XX X X X X LFL (LEAD FREE PLATING)

SPEC.	OPTION (CODE)		
	WITH (M)	WITHOUT ( )	TUBE (P)
MYLAR			
PACKING	TRAY (S)	TAPE & REEL (T)	
HSG COLOR	BLACK (B)	NATURE (N)	
MOUNT SIDE	ABOVE (A)		
STAND-OFF	2.2 (22)		
PLATING	GOLD 30u" (1)	GXT 30u" (2)	
		GXT 15u" (4)	

5. RoHS COMPATIBLE PRODUCT SPECIFICATIONS

a-PLATING:

- "LF" MEANS THE PRODUCT IS LEAD-FREE, 2micro-meter MINIMUM MATTE TIN OVER  
1.27micro-meter MINIMUM NICKEL UNDERPLATE.

b-MANUFACTURING PROCESS COMPATIBILITY

- THE HOUSING WILL WITHSTAND EXPOSURE TO 260°C±5°C SOLDER BATH TEMPERATURE FOR  
5 SECONDS IN A REFLOW SOLDER APPLICATION WITH A 1.6mm MIN THICK CIRCUIT BOARD.

rev	ecn no	dr	date
A	T05-0096	TAI	2005-05-23
B	T05-0121	TAI	2005-06-03
C	T05-0239	TAI	2005-10-19
D	T05-0271	TAI	2005-12-08
E	T05-0304	TAI	2005-12-30
F	T06-0118	TAI	2006-06-15
G	N08-0069	R.B	2008/04/21

www.fciconnect.com		surface	tolerance std	projection	MM
		ASME Y14.5			
TOLERANCES UNLESS OTHERWISE SPECIFIED					
Dr	KENNY TAI	2005-05-12	ANGULAR	0.x ±0.50	size A4
Eng	KENNY TAI	2005-05-12	LINEAR	0.xx ±0.30	Scale 1.000
Chr	KENNY TAI	2005-05-12	0° ±2°	0.xxx ±	ECN N08-0069
Appr	PAUL WANG	2005-05-12	Product family		Spec ref
FCJ		TOP MOUNT, 2.2 S/O		no. 10056265	Rev. G
		HOST CONNECTOR ASSEMBLY			
catalog no		10056265	CUSTOMER		sheet 1 of 3

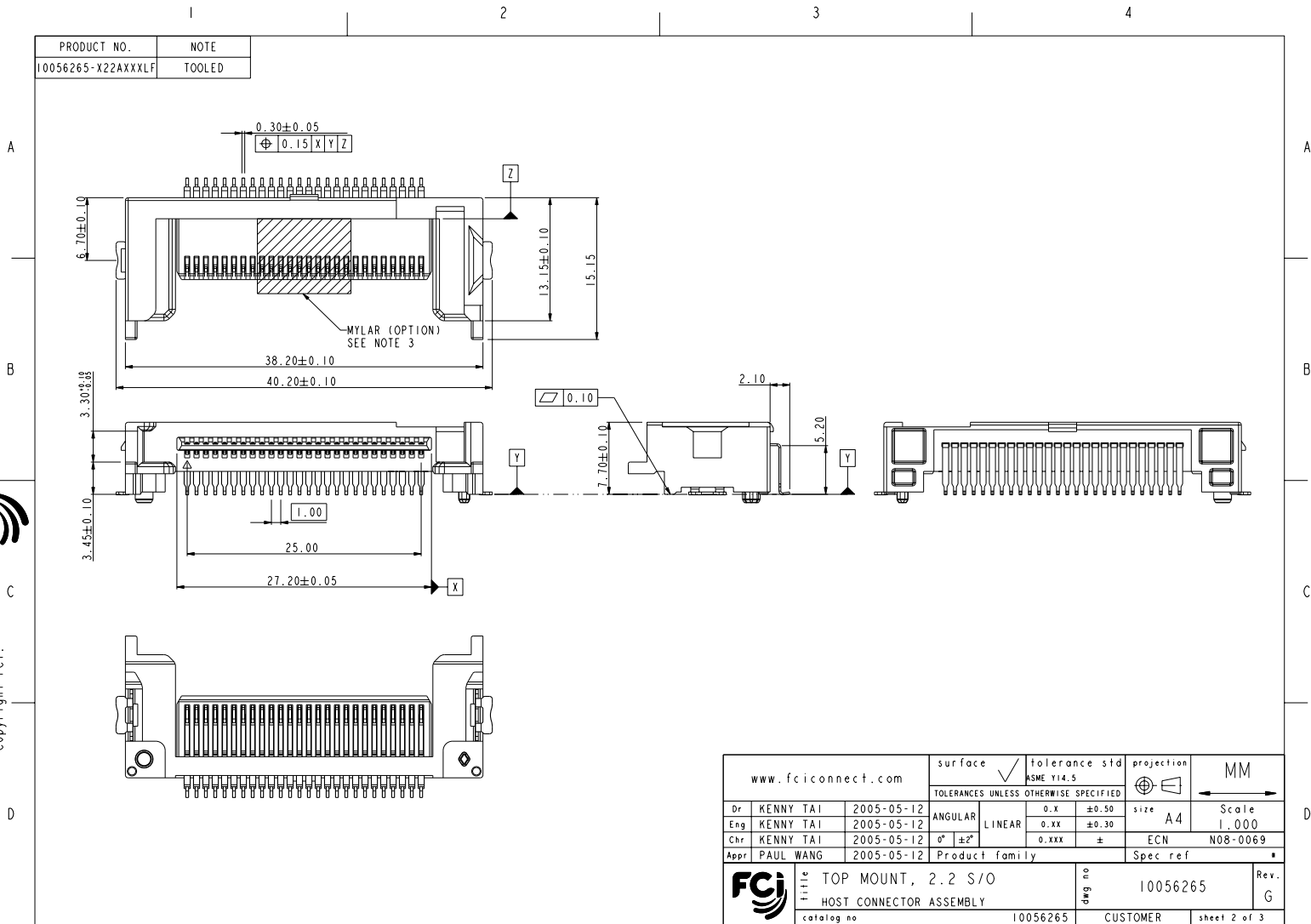
REV F - 2006-04-17

PDM: Rev:G

STATUS Released 4 Printed: Oct 12, 2010

Copyright FCJ.

PRODUCT NO.	NOTE
10056265-X22AXXL	TOOLED



www.fciconnect.com		surface <input checked="" type="checkbox"/>	tolerance std ASME Y14.5	projection <input checked="" type="checkbox"/>	MM
		TOLERANCES UNLESS OTHERWISE SPECIFIED			
Dr	KENNY TAI	2005-05-12	ANGULAR	0.x $\pm 0.50$	size A4
Eng	KENNY TAI	2005-05-12	LINEAR	0.xx $\pm 0.30$	Scale 1.000
Chr	KENNY TAI	2005-05-12	$0^\circ \pm 2^\circ$	0.xxx $\pm$	ECN N08-0069
Appr	PAUL WANG	2005-05-12	Product family	Spec ref	
	TOP MOUNT, 2.2 S/O		cat no	10056265	Rev. G
	HOST CONNECTOR ASSEMBLY		customer	CUSTOMER	sheet 2 of 3
	catalog no	10056265			

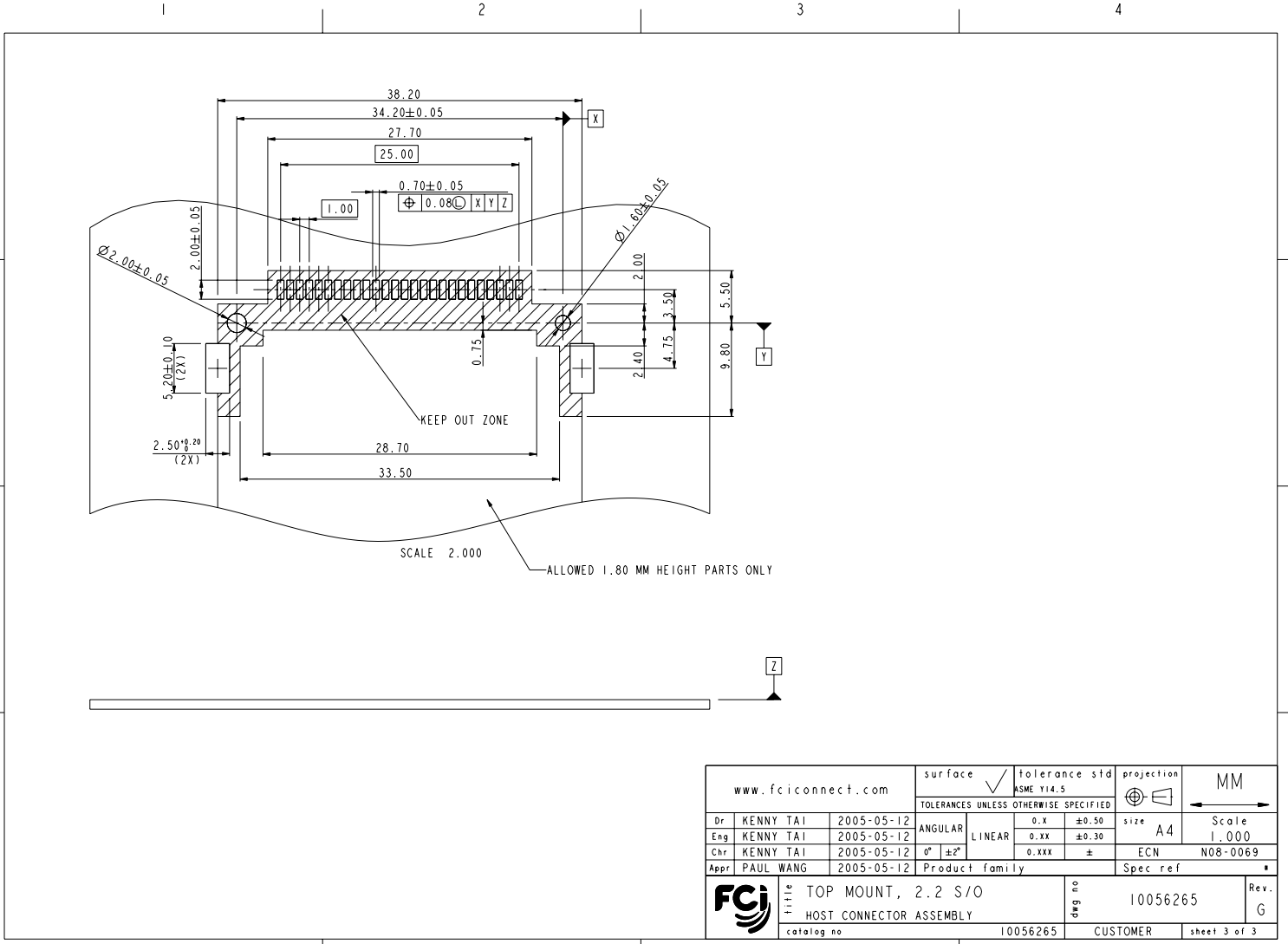
PDM: Rev:G

STATUS Released 4 Printed: Oct 12, 2010

FCJ  
Copyright FCI.



Copyright FCJ.



www.fciconnect.com		surface	tolerance std	projection	MM
		ASME Y14.5			
		TOLERANCES UNLESS OTHERWISE SPECIFIED			
Dr	KENNY TAI	2005-05-12	ANGULAR	0.x ±0.50	size A4
Eng	KENNY TAI	2005-05-12	LINEAR	0.xx ±0.30	Scale 1.000
Chr	KENNY TAI	2005-05-12	0° ±2°	0.xxx ±	ECN N08-0069
Appr	PAUL WANG	2005-05-12	Product family		Spec ref
		TOP MOUNT, 2.2 S/O		part no	10056265
		HOST CONNECTOR ASSEMBLY		customer	sheet 3 of 3
catalog no		10056265			