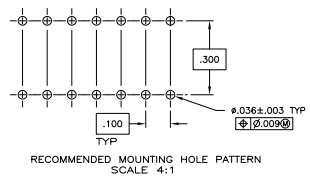
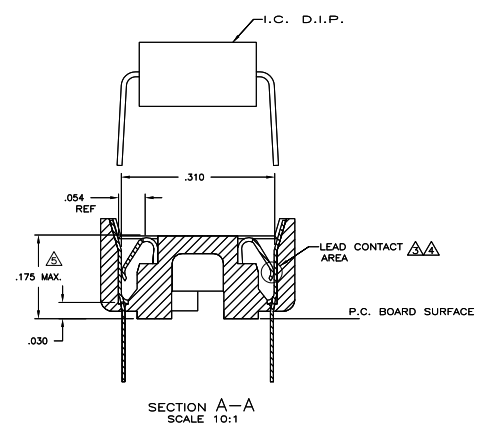
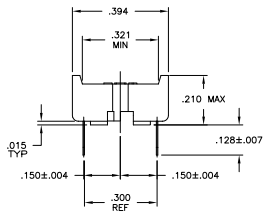
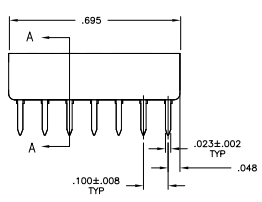
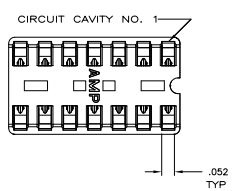


| REV | DATE    | DESCRIPTION              | BY | CHK |
|-----|---------|--------------------------|----|-----|
| 0   |         |                          |    |     |
| 1   | 12MAR11 | REVISED PER ECO-11-00927 | RK | HMR |

- RECEPTACLE ACCEPTS A .008-.014 THICK I.C. LEAD.
- TUBE LOADED FOR AUTOMATIC INSERTION.
- TWO .00030 MIN THK. GOLD STRIPES IN CONTACT AREA WITH TIN-LEAD (93/7) ON CONTACT LEGS, BALANCE OF CONTACT NICKEL PLATED.
- TWO .00015 MIN THK. GOLD STRIPES IN CONTACT AREA WITH TIN-LEAD (93/7) ON CONTACT LEGS, BALANCE OF CONTACT NICKEL PLATED.
- MAXIMUM DIMENSION FOR I.C. SEATING PLANE.



|                   |                    |  |  |
|-------------------|--------------------|--|--|
| △                 | PHOS.BRZ. .008 THK | GLASS-FILLED THERMOPLASTIC, 94V-O, BLACK | 2-640357-4                               |
| SUPSD BY 390261-3 | TINNED             | GLASS-FILLED THERMOPLASTIC, 94V-O, BLACK | 2-640357-3                               |
| DISSOLEIBLE       | △                  | BE.CU. .008 THK                          | GLASS-FILLED THERMOPLASTIC, 94V-O, BLACK |
| SUPSD BY 390261-3 | TINNED             | BE.CU. .008 THK                          | GLASS-FILLED THERMOPLASTIC, 94V-O, BLACK |
|                   | CONTACT FINISH     | CONTACT MAT'L                            | HOUSING MATERIAL                         |
|                   |                    |  | PART NO.                                 |

|  |          |              |        |                 |    |
|--|----------|--------------|--------|-----------------|----|
| THIS DRAWING IS A CONTROLLED DOCUMENT. |          | REV. CONTROL | ISSUED | TE Connectivity |    |
| DESIGNED BY                            | ENGINEER | DATE         | BY     | DATE            | BY |
| 108-1066                               | 108-1066 |              |        |                 |    |
| 114-1049                               |          |              |        |                 |    |
| 100779                                 | 640357   |              |        |                 |    |
| CUSTOMER DRAWING                       |          |              |        |                 |    |