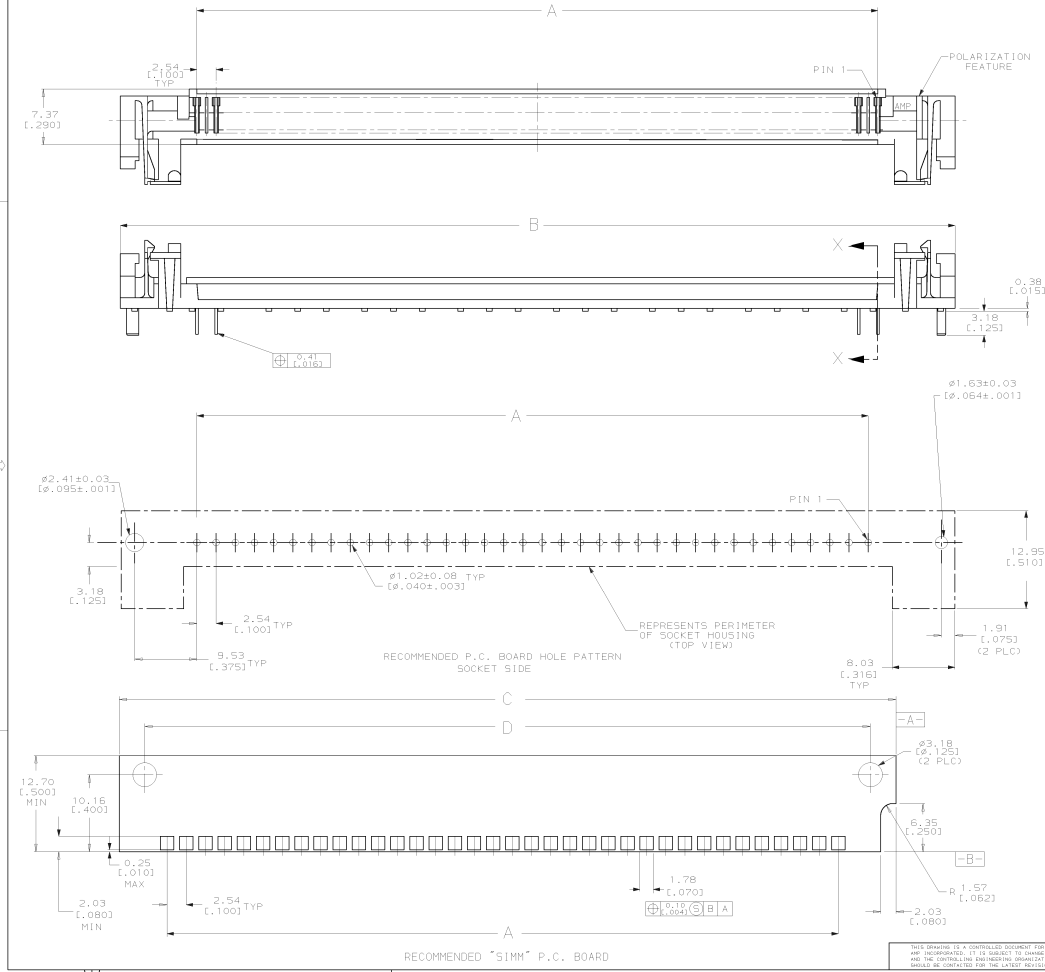
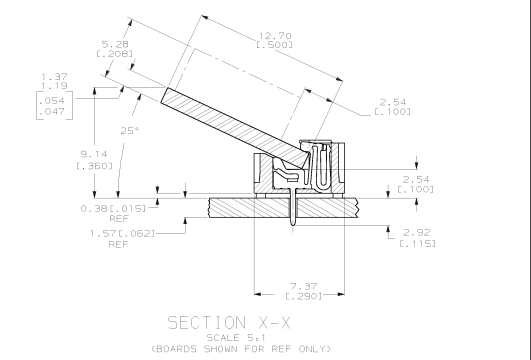


| REV | ISS | DATE | DESCRIPTION | DATE | APP |
|-----|-----|------|---|------|-----|
| GP | 00 | | | | |
| 1 | | | OBSELETE - 2, 3, 4, 12 FEB 0510-0014-00 | | |



- △ HOUSING-MATERIAL : LIQUID-CRYSTAL-POLYMER.
- △ CONTACT-MATERIAL : PHOS. BRONZE.
- △ CONTACT-PLATE 0.00508 (.000200) MIN. TIN/LEAD OVER 0.00127 (.00050) MIN NICKEL.
- 4. IN ADDITION TO THOSE RECOMMENDED "S1MM" P.C. BOARD DIMENSIONS AND TOLERANCES SHOWN, ALL JEDEC SPECIFICATIONS APPLY AS SHOWN ON MO-064, ISSUE A.
- 5. RECOMMENDED MATING 5.1 M.M. TAB METALLURGY, BASE METAL-COPPER, PLATING TO BE 0.00762 (.000300) MIN TIN/LEAD OVER 0.00127 (.00050) MIN NICKEL.



OBSELETE

| | | | | | | |
|----------|---------------|---------------|---------------|---------------|----|----------|
| OBSELETE | 112.62(4.434) | 119.38(4.700) | 127.09(5.000) | 104.14(4.100) | 42 | 821876-5 |
| OBSELETE | 107.54(4.234) | 114.30(4.500) | 121.92(4.800) | 99.06(3.900) | 49 | 821876-4 |
| OBSELETE | 94.84(3.734) | 101.60(4.000) | 109.22(4.300) | 86.36(3.400) | 35 | 821876-3 |
| OBSELETE | 82.14(3.234) | 88.90(3.500) | 96.52(3.800) | 73.66(2.900) | 30 | 821876-2 |
| OBSELETE | 61.82(2.434) | 68.58(2.700) | 76.20(3.000) | 53.34(2.100) | 22 | 821876-1 |

| DO NOT SCALE PRINT, UNLESS SPECIFIED DIMENSIONS IN MM (INCHES) | | AMP Incorporated Harrisburg, PA 17105-9608 | |
|--|--------------------|---|----------------|
| DR 4-8-S1 | K. SALMON | AMP AMP Incorporated Harrisburg, PA 17105-9608 | |
| CHK 2-5-81 | W. MILLER | | |
| APPR 4-9-81 | J. LAMBERT | CONNECTOR, MICRO-EDGE, .100, LP, TIN PLATE | |
| S P.C. DEC # 0.131(0.005) | MOUSE | | |
| MATERIAL HOUSING — △ CONTACT — △ | APPLICATION SPEC — | SIZE D | LAB CODE 00779 |
| PRIOR HOUSING — NATURAL CONTACT — △△△ | REMARKS — | DRAWING NO. C-621876 | SCALE 4:1 |
| | | SHEET 1 OF 1 | |