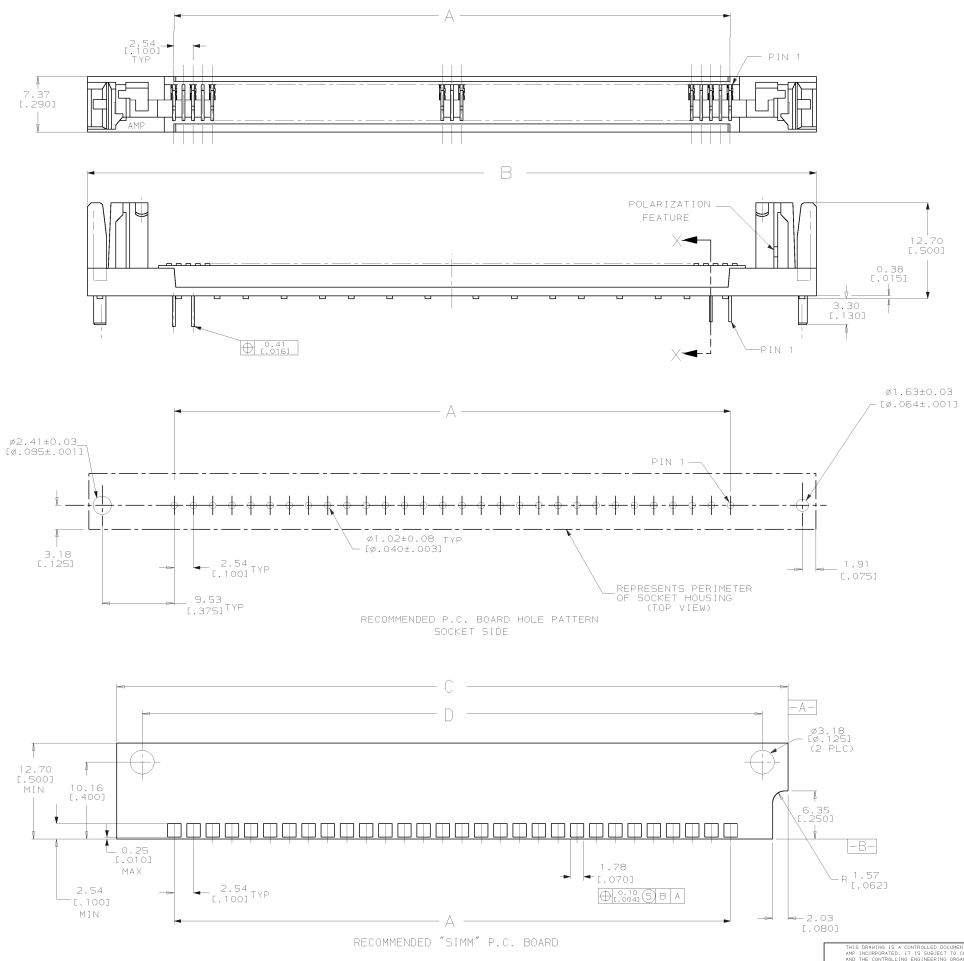
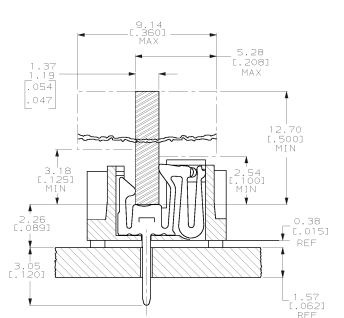


REV. NO.		DATE		DESCRIPTION		BY		APP.	
00	00	1	1	1	1	1	1	1	1
OBSOLETE PER 051D-0014-00									



- △ HOUSING-MATERIAL : LIQUID-CRYSTAL-POLYMER.
- △ CONTACT-MATERIAL : PHOS. BRONZE.
- △ CONTACT-PLATE 0.00508[.000200] MIN. TIN/LEAD OVER 0.00127 [0.00050] MIN NICKEL.
- 4. IN ADDITION TO THOSE RECOMMENDED "S1MM" P.C. BOARD DIMENSIONS AND TOLERANCES SHOWN, ALL JEDEC SPECIFICATIONS APPLY AS SHOWN ON M0-064, ISSUE A.
- 5. RECOMMENDED MATING S.I.M.M. TAB METALLURGY: BASE METAL-COPPER. PLATING TO BE 0.00762[.000300] MIN TIN/LEAD OVER 0.00127[.00050] MIN NICKEL.



OBSOLETE

OBSOLETE	112.62(4.434)	119.38(4.700)	127.00(5.000)	104.14(4.100)	42	821828-5
OBSOLETE	107.54(4.234)	114.30(4.500)	121.92(4.800)	99.06(3.900)	49	821828-4
OBSOLETE	94.84(3.734)	101.60(4.000)	109.22(4.300)	86.36(3.400)	36	821828-3
OBSOLETE	82.14(3.234)	88.90(3.500)	96.52(3.800)	73.66(2.900)	30	821828-2
OBSOLETE	61.82(2.434)	68.58(2.700)	76.20(3.000)	53.34(2.100)	22	821828-1

DO NOT SCALE PRINT. UNLESS SPECIFIED DIMENSIONS IN MM (INCHES) PREFERRED ON 3 P.LC DEC # 0.13(.005) INCHES # 1		DR 3-21-81 E. SALMON CHK 3-25-81 P. MILLER		AMP AMP Incorporated Harrisburg, PA 17105-9608	
MATERIAL HOUSING-----△	AMPD 3-26-81	NAME		CONNECTOR, MICRO-EDGE, .100, VERT, TIN PL	
CONTACT-----△	AMPD 3-26-81	PRODUCT SPEC		SIZE D LARGE CODE 00779 DRAWING NO. 621828	
FINISH HOUSING--NATURAL	APPLICATION SPEC	RETURN		SCALE 4:1 SHEET 1 OF 1	
CONTACT-----△				CUSTOMER DRAWING	