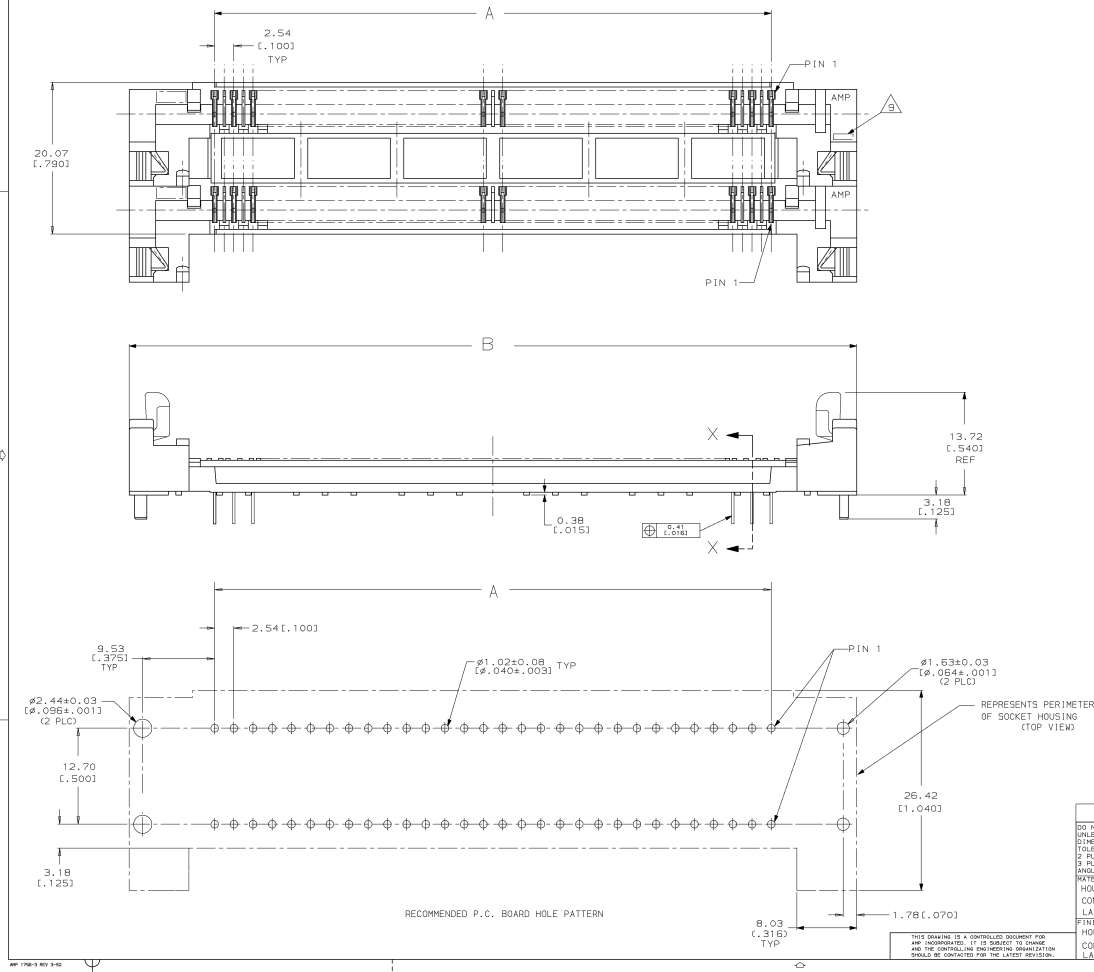


DRAWING MADE IN THIS WHOLE PROJECTION  
THIS DRAWING IS UNPUBLISHED.  
© Copyright 1984  
RELEASED FOR PUBLICATION  
BY AMP INCORPORATED. ALL INTERNATIONAL RIGHTS RESERVED.

REV	BY	DATE	DESCRIPTION	DATE	APP
AG	53	J	OBsolete -2 PER 0440-0113-96	6-18-84	RT



- △ HOUSING-MATERIAL : LIQUID-CRYSTAL-POLYMER.
  - △ CONTACT-MATERIAL : PHOS. BRONZE.
  - △ LATCH-MATERIAL : STAINLESS STEEL
  - △ CONTACT-PLATE 0.00127 (.00050) MIN NICKEL ALL OVER.
  - △ CONTACT-PLATE 0.00076 (.00030) MIN. GOLD AT CONTACT PTS.
  - △ CONTACT SOLDERTALS-PLATE 0.00508 (.00200) MIN TIN/LEAD.
7. IN ADDITION TO THOSE RECOMMENDED "S1MM" P-C. BOARD DIMENSIONS AND TOLERANCES SHOWN, ALL JEDEC SPECIFICATIONS APPLY AS SHOWN ON MO-064, ISSUE A.
8. RECOMMENDED MATING S. I. M. M. TAB METALLURGY, BASE METAL-COPPER, PLATING TO BE 0.00076 (.00030) MIN GOLD OVER 0.00127 (.00050) MIN NICKEL.
- △ 'S' IDENTIFIER LOCATED APPROXIMATELY AS SHOWN.

	112.62[4.434]	119.38[4.700]	126.75[4.990]	104.14[4.100]	42	822132- 5
OBsolete	107.54[4.234]	114.30[4.500]	121.67[4.790]	99.06[3.900]	40	822132- 4
	94.84[3.734]	101.60[4.000]	108.97[4.290]	86.36[3.400]	35	822132- 3
OBsolete	82.14[3.234]	88.90[3.500]	96.27[3.790]	73.66[2.900]	30	822132- 2
	61.82[2.434]	68.58[2.700]	75.95[2.990]	53.34[2.100]	22	822132- 1
	D	C	B	A	NO OF POSN	PART NO

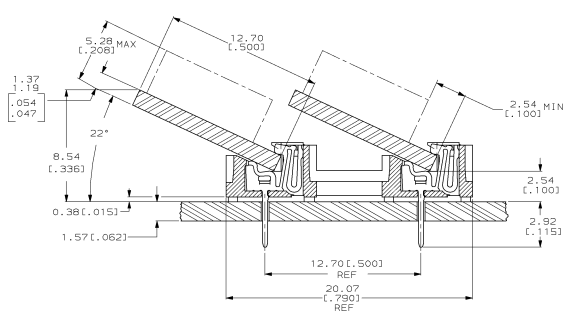
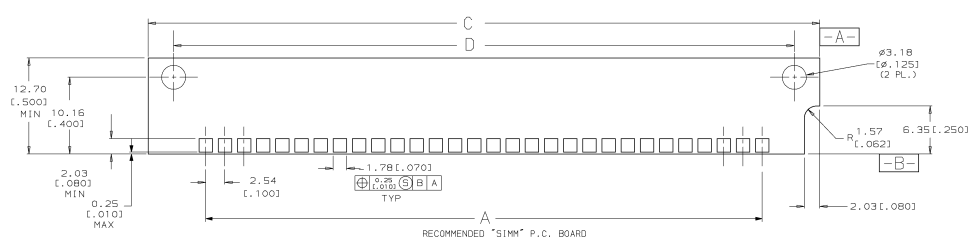
DO NOT SCALE PRINT. UNLESS SPECIFIED DIMENSIONS IN mm (INCHES) TOLERANCES ON + 2 PLC DEC + 0.13(.005) INCHES ±	DR 4-8-91 K. SALMON CHK 4-9-91 S. MILLER APPD 4-9-91 J. LAMBERT APPD 4-9-91 E. MCARDATHY PRODUCT SPEC - APPLICATION SPEC - MATERIAL - HOUSING - CONTACT - LATCH - FINISH - HOUSING - NATURAL CONTACT - LATCH -	AMP Incorporated Harrisburg, PA 17105-3608 NAME CONN, MICRO-EDGE, .1 X .5, LP, GOLD PL, W/METAL LATCH SIZE D 00779 CAGE CODE DRAWING NO 822132 SCALE 4:1 SHEET 1 OF 2
---	---	--

CUSTOMER DRAWING

THIS DRAWING IS A CONTROL DOCUMENT FOR AMP INCORPORATED. IT IS SUBJECT TO CHANGE AND THE CONTROLLING AND BESTING ORGANIZATION SHOULD BE CONTACTED FOR THE LATEST REVISION.

DRAWING MADE IN THIS ANGLE PROJECTION  
 THIS DRAWING IS UNPUBLISHED.  
 © copyright 1981  
 RELEASED FOR PUBLICATION  
 BY AMP INCORPORATED. ALL INTERNATIONAL RIGHTS RESERVED.

REVISIONS				DATE	APP.
REV.	BY	DATE	DESCRIPTION		
AG	53		J SEE SHEET 1		



SECTION X-X  
 SCALE 6:1  
 (BOARDS SHOWN FOR REF ONLY)

THIS DRAWING IS A CONTROLLED DOCUMENT FOR AMP INCORPORATED. IT IS SUBJECT TO CHANGE AND THE CONTROLLING AND MOST RECENT REVISION SHOULD BE CONTACTED FOR THE LATEST REVISION.

DO NOT SCALE PRINT. UNLESS SPECIFIED DIMENSIONS IN mm (INCHES) TOLERANCES ON + 2 RLC DEC + 0.13(.005) INCHES	DR 4-9-91 K. SALMON CHK 4-9-91 S. MILLER APPD 4-9-91 E. HEDGECOCK PRODUCT SPEC - APPLICATION SPEC - FINISH - HOUSING-NATURAL CONTACT - LATCH -	<p><b>AMP</b> AMP Incorporated          Harrisburg, PA 17105-3608</p> <p>NAME  <b>CONN, MICRO-EDGE, .1 X .5,          LP, GOLD PL, W/METAL LATCH</b></p> <p>SIZE          D 00779</p> <p>DRAWING NO.          622132</p> <p>SCALE          4:1</p>	PART NO.
---	---	--	----------