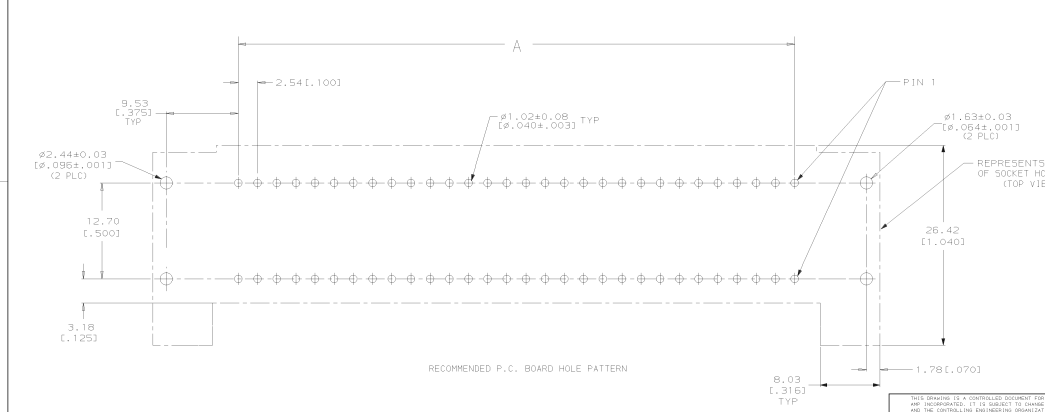
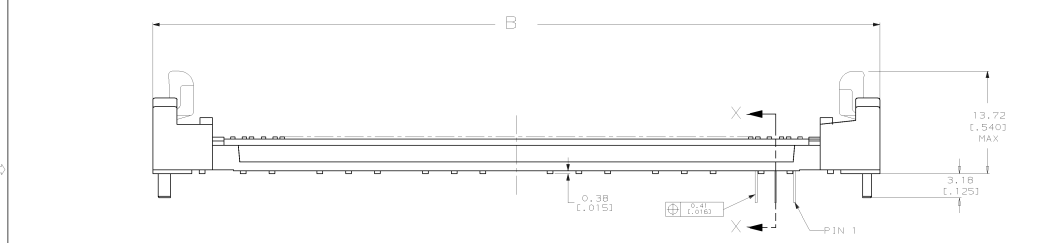
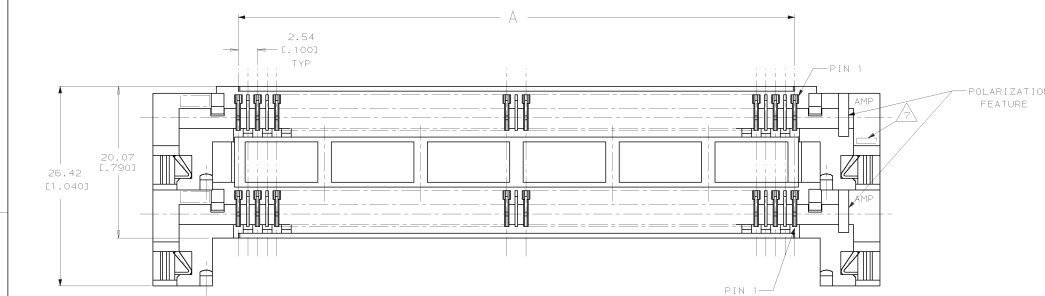


MAKING MADE IN HOUSE DESIGN PROTECTION  
 THIS DRAWING IS UNPUBLISHED  
 © COPYRIGHT 1984 BY AMP INCORPORATED. ALL INTERNATIONAL RIGHTS RESERVED.

REV. NO.		DATE		DESCRIPTION		BY		CHKD	
00	GP	00							
01		01	01/01/84	J	OBSOLETE #2 PER OSD-0014-00	BRKTO	JR		



- △ HOUSING-MATERIAL ; LIQUID-CRYSTAL-POLYMER.
- △ CONTACT-MATERIAL ; PHOS. BRONZE.
- △ LATCH-MATERIAL ; STAINLESS STEEL.
- △ CONTACT-PLATE; 0.00500(0.00200) MIN. TIN/LEAD OVER 0.00127 [1.00050] MIN NICKEL.
- 5. IN ADDITION TO THOSE RECOMMENDED "SMM" P.C. BOARD DIMENSIONS AND TOLERANCES SHOWN, ALL JEDEC SPECIFICATIONS APPLY AS SHOWN ON MO-064, ISSUE A.
- 6. RECOMMENDED MATING S.I.M.M. TAB METALLURGY; BASE METAL-COPPER, PLATING TO BE 0.00762 [1.000300] MIN TIN/LEAD OVER 0.00127 [1.00050] MIN NICKEL.
- △ \*S\* IDENTIFIER LOCATED APPROXIMATELY AS SHOWN.

112.62 [4.434]	119.38 [4.700]	126.75 [4.990]	104.14 [4.100]	42	822113- 5
OBSOLETE 107.54 [4.234]	114.30 [4.500]	121.67 [4.790]	99.06 [3.900]	40	822113- 4
94.84 [3.734]	101.60 [4.000]	108.97 [4.290]	86.36 [3.400]	35	822113- 3
OBSOLETE 82.14 [3.234]	88.90 [3.500]	96.27 [3.790]	73.66 [2.900]	30	822113- 2
61.82 [2.434]	68.58 [2.700]	75.95 [2.990]	53.34 [2.100]	22	822113- 1
D	C	B	A	HIG. OF POSN.	PART NO.

DO NOT SCALE PRINT. UNLESS SPECIFIED DIMENSIONS IN mm (INCHES) PREFERRED TO IN. 2 P.L.C. USE # 3 P.L.C. DEC # 0.131(095) MINUS # 1.

DR 3-21-81 R. SALMON  
 CHR 3-25-81 G. MILLER  
 APPD 3-26-81 J. LAMBERT  
 APPD 3-26-81 E. NECAWHE  
 CONTACT -  
 LATCH -  
 FINISH -  
 HOUSING - NATURAL  
 CONTACT -  
 LATCH -

AMP Incorporated Harrisburg, PA 17105-9608

NAME: CONN, MICRO-EDGE, .1 X .5, LP TIN PLATE WITH METAL LATCH

APPLICATION SPEC: -  
 RETRY: -

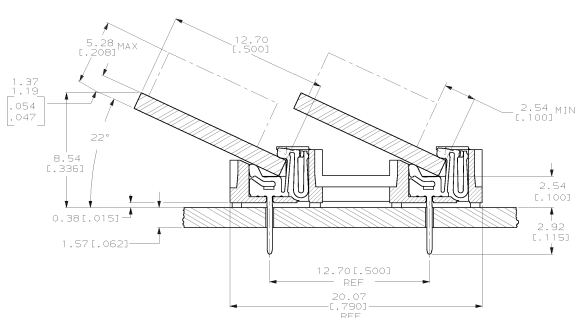
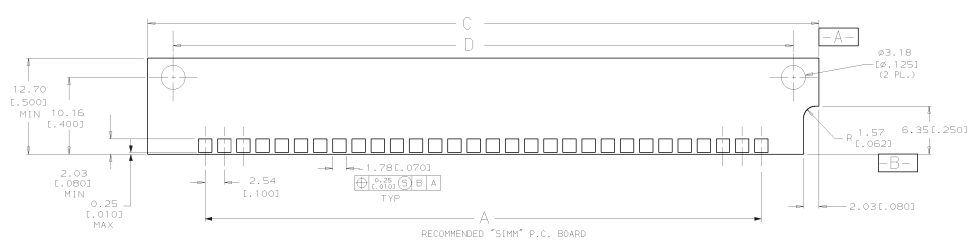
SIZE: D  
 LAB CODE: 00779  
 DRAWING NO: 622113  
 SCALE: 4:1  
 SHEET: 1 OF 2

THIS DRAWING IS A CONTROLLED DOCUMENT FOR AMP INCORPORATED. IT IS SUBJECT TO CHANGE AND THE CONTROLLING BUSINESS ORGANIZATION SHOULD BE CONTACTED FOR THE LATEST REVISION.

CUSTOMER DRAWING

MAKING MADE IN MEXICO PROTECTION  
 THIS DRAWING IS UNPUBLISHED  
 © COPYRIGHT 19  
 RELEASED FOR PUBLICATION  
 BY AMP INCORPORATED. ALL INTERNATIONAL RIGHTS RESERVED.

REV		REV		REV		REV		REV		REVISIONS		DATE	APP
NO	BY	DATE	DESCRIPTION	NO	BY	DATE	DESCRIPTION	NO	BY	DATE	DESCRIPTION	NO	BY
GP	00										SEE SHEET 1		



THIS DRAWING IS A CONTROLLED DOCUMENT FOR AMP INCORPORATED. IT IS SUBJECT TO CHANGE AND THE CONTROLLING AUTHORITY ORGANIZATION SHOULD BE CONTACTED FOR THE LATEST REVISION.

DO NOT SCALE PRINT, UNLESS SPECIFIED. DIMENSIONS IN mm (INCHES) PREFERRED. DW = 2 P.L.C. SEE # 3 P.L.C. DEC. # 0.131(000) INCHES # -		DR 3-21-91 C. SALMON CHK 3-25-91 R. MILLER APPD 3-26-91 J. LAMBERT PRODUCT SPEC - APPLICATION SPEC - MATERIAL - FINISH - RETURN -		PART NO AMP Incorporated Harrisburg, PA 17105-9608 NAME CONN, MICRO-EDGE, .1 X .5, LP, TIN PL, W/METAL LATCH SIZE D 00779 SCALE 4:1		DRAWING NO C-622113 SHEET 2 OF 2	
				DATE CODE	00779	C-622113	
				SCALE	4:1	SHEET 2 OF 2	

CUSTOMER DRAWING