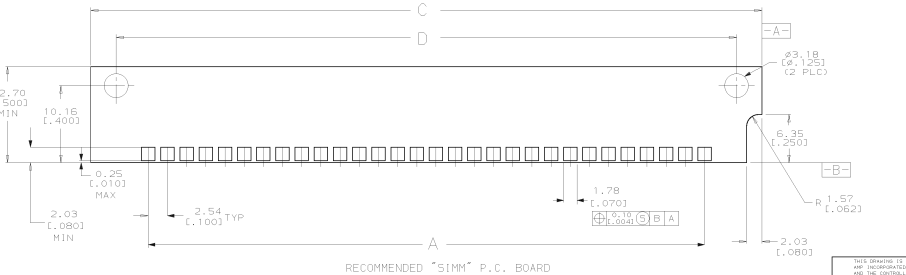
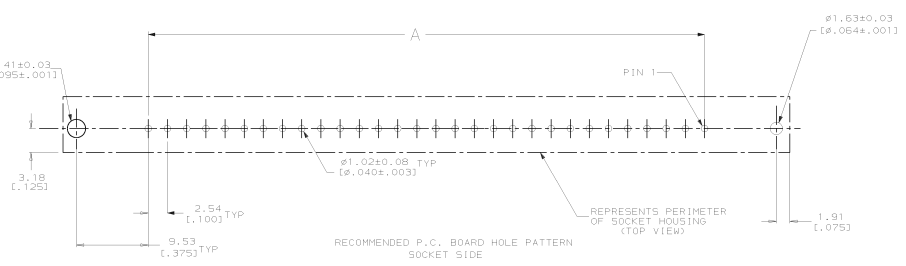
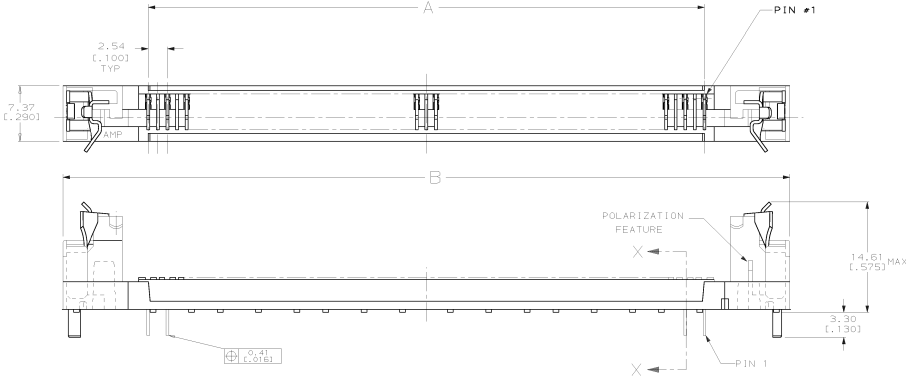
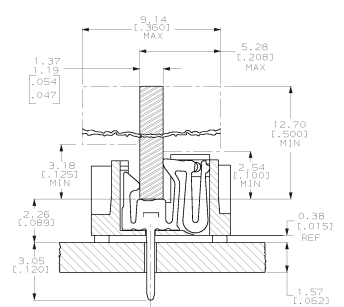


MAKING MADE IN THIS CASE PROTECTED  
THIRD OPERATOR IS UNPUBLISHED  
BY AMP INCORPORATED. ALL INTERNATIONAL RIGHTS RESERVED.

REVISED					
REV	BY	DATE	DESCRIPTION	DATE	APP
GP	00				
X	X	204	LW		
K			OBSOLETE -2 PER 0510-0014-00	00070	JR



- △ HOUSING-MATERIAL ; LIQUID-CRYSTAL-POLYMER.
- △ CONTACT-MATERIAL ; PHOS. BRONZE.
- △ CONTACT-PLATE 0.00508(.00200) MIN. TIN/LEAD OVER 0.00127 (.00050) MIN NICKEL.
- △ LATCH-MATERIAL ; BRASS, NICKEL PLATE 0.00127(.00050) MIN.
- 4. IN ADDITION TO THOSE RECOMMENDED "SIMM" P.C. BOARD DIMENSIONS AND TOLERANCES SHOWN, ALL JEDEC SPECIFICATIONS APPLY AS SHOWN ON MO-084, ISSUE A.
- 5. RECOMMENDED MATING S.I.M.M. TAB METALLURGY; BASE METAL-COPPER. PLATING TO BE 0.00762(.000300) MIN TIN/LEAD OVER 0.00127(.00050) MIN NICKEL.



SECTION X-X  
SCALE 10:1  
(BOARDS SHOWN FOR REF ONLY)

**OBSOLETE**

OBSOLETE	112.62(4.434)	119.38(4.700)	127.00(5.000)	104.14(4.100)	42	822056-5
OBSOLETE	107.54(4.234)	114.30(4.500)	121.92(4.800)	99.06(3.900)	49	822056-4
OBSOLETE	94.84(3.734)	101.60(4.000)	109.22(4.300)	86.36(3.400)	35	822056-3
OBSOLETE	82.14(3.234)	88.90(3.500)	96.52(3.800)	73.66(2.900)	30	822056-2
OBSOLETE	61.82(2.434)	68.58(2.700)	76.20(3.000)	53.34(2.100)	22	822056-1

DO NOT SCALE PRINT. UNLESS SPECIFIED DIMENSIONS IN mm (INCHES) POLARITIES: -W + 3 PLG DEC # 5131.055 NOTES: #		DP 2-28-91 K. SALERNI CHK 2-28-91 P. BULLER APPD 2-28-91 J. LABRETT MATERIAL HOUSING... △ CONTACT... △ LATCH... △ FINISH HOUSING... NATURAL CONTACT... △ LATCH... △	AMP AMP Incorporated Harrisburg, PA 17105-9608 NAME CONNECTOR, MICRO-EDGE, .100, VERT, TIN PL, W/METAL LATCH SIZE D 00779 ©-822056 SCALE 4:1	PART NO NO OF PART NO PAGE 1 OF 1
--	--	--	---	--

AMP 1765-3 Rev 9-82  
13-4524 wj2284

THIS DRAWING IS A CONTROLLED DOCUMENT FOR AMP INCORPORATED. IT IS SUBJECT TO CHANGE AND THE CONTROLLING DRAWING IDENTIFICATION SHOULD BE CONTACTED FOR THE LATEST REVISION.

CUSTOMER DRAWING