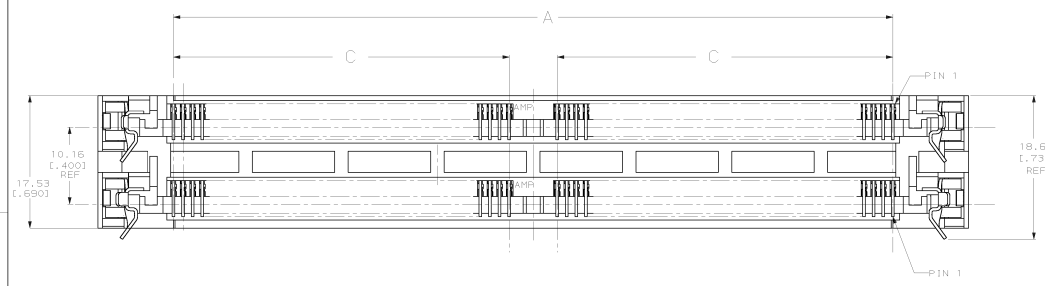
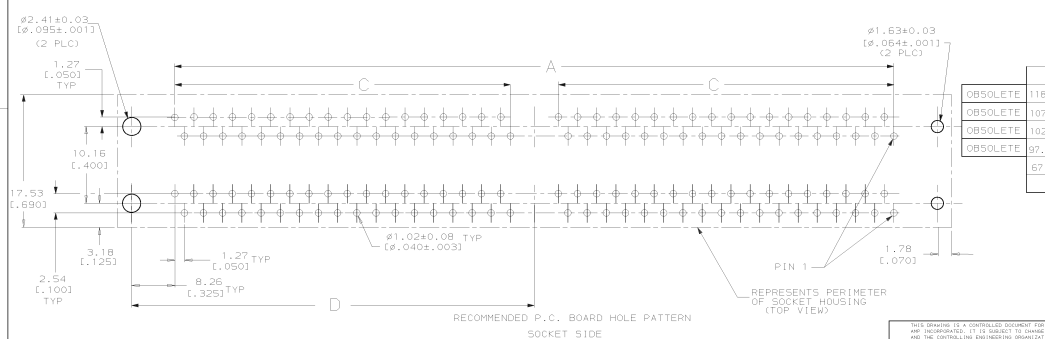
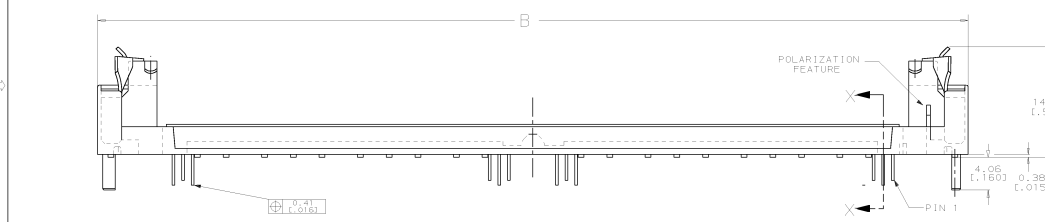


MAKING MADE IN THIS CASE PROTECTION. RELEASED FOR PUBLICATION. THIS DRAWING IS UNPUBLISHED. BY AMP INCORPORATED. ALL INTERNATIONAL RIGHTS RESERVED.

REV	DATE	BY	CHKD	APPD	DESCRIPTION	DATE	APPD
00	00				L OBSOLETE -4 PER 0510-0014-00		JR



- △ HOUSING-MATERIAL ; LIQUID-CRYSTAL-POLYMER.
 - △ CONTACT-MATERIAL ; PHOS. BRONZE.
 - △ LATCH-MATERIAL ; BRASS, NICKEL PLATE.
 - △ CONTACT-PLATE 0.00127 (.000050) MIN NICKEL ALL OVER.
 - △ CONTACT-PLATE 0.00076 (.000030) MIN. GOLD AT CONTACT P15.
 - △ CONTACT SOLDER TAILS-PLATE 0.00508 (.000200) MIN TIN/LEAD.
7. IN ADDITION TO THOSE RECOMMENDED "S1MM" P.C. BOARD DIMENSIONS AND TOLERANCES SHOWN, ALL JEDEC SPECIFICATIONS APPLY AS SHOWN ON MO-116, ISSUE A.
8. RECOMMENDED MATING S.I.M.M. TAB METALLURGY; BASE METAL-COPPER, PLATING TO BE 0.00076 (.000030) MIN GOLD OVER 0.00127 (.000050) MIN NICKEL.



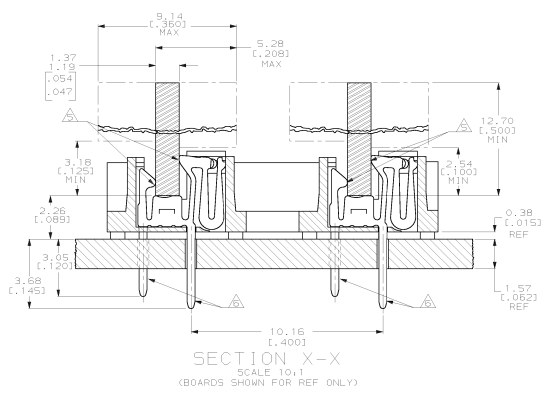
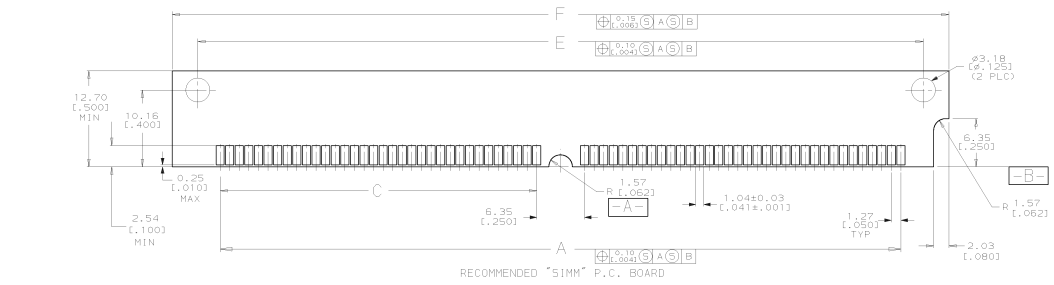
OBSOLETE	118.11 [4.650]	111.35 [4.384]	60.96 [2.400]	49.53 [1.950]	125.73 [4.950]	105.41 [4.150]	80	822033-5
OBSOLETE	107.95 [4.250]	101.19 [3.984]	55.88 [2.200]	44.45 [1.750]	115.57 [4.550]	95.25 [3.750]	72	822033-4
OBSOLETE	102.87 [4.050]	96.11 [3.784]	53.34 [2.100]	41.91 [1.650]	110.49 [4.350]	90.17 [3.550]	68	822033-3
OBSOLETE	97.79 [3.850]	91.03 [3.584]	50.80 [2.000]	39.37 [1.550]	105.41 [4.150]	85.09 [3.350]	64	822033-2
OBSOLETE	67.31 [2.650]	60.55 [2.384]	35.56 [1.400]	24.13 [0.950]	74.83 [2.950]	54.61 [2.150]	40	822033-1
	F	E	D	C	B	A		

DO NOT SCALE PRINT. UNLESS SPECIFIED DIMENSIONS IN MM (INCHES) PREFERRED: 25 (1) 5 P.L.C. DEC = 5.131.055		DR 3-21-81 K. SALMON	AMP Incorporated Harrisburg, PA 17105-9608
MATERIAL HOUSING... △ CONTACT... △ LATCH... △		CHR 3-25-81 P. MILLER	
FINISH HOUSING... △ CONTACT... △ LATCH... △		APPD 3-26-81 J. LARBERT	NAME CONN, MICRO-EDGE, .05 X .4, VERT, GOLD PL, W/METAL LATCH
APPLICATION SPEC		APPD 3-26-81 E. WEAHBY	SIZE D 00779
RETURN			DRAWING NO 6-822033
			SCALE 4:1

THIS DRAWING IS A CONTROLLED DOCUMENT FOR AMP INCORPORATED. IT IS SUBJECT TO CHANGE AND THE CONTROLLING REVISIONS IDENTIFICATION SHOULD BE CONTACTED FOR THE LATEST REVISION.

MAKING MADE IN MEXICO PROTECTION
 THIS DRAWING IS UNPUBLISHED
 © COPYRIGHT 19
 RELEASED FOR PUBLICATION
 BY AMP INCORPORATED. ALL INTERNATIONAL RIGHTS RESERVED.

REVISED		DESCRIPTION		DATE	APP
00	00	204	L	SEE SHEET 1	-



DO NOT SCALE PRINT, UNLESS SPECIFIED DIMENSIONS IN MM (INCHES)		DR 3-21-91 C. SALERNI		PART NO.	
POLYIMIDES 90 + 3 P.L.C. DEC ±0.13(0.05) MINUS ±		CHK 3-25-91 P. MILLER		AMP Incorporated Harrisburg, PA 17105-9608	
MATERIAL		APPD 3-26-91 E. MCARDY		NAME	
SEE SHEET 1		PRODUCT SPEC		CONN, MICRO-EDGE, .05 X .4, VERT, GOLD PL, W/METAL LATCH	
FINISH		APPLICATION SPEC		SIZE	
SEE SHEET 1		RETURN		D 00779 ©=622033	
				SCALE 4:1 SHEET 20F2	

THIS DRAWING IS A CONTROLLED DOCUMENT FOR AMP INCORPORATED. IT IS SUBJECT TO CHANGE AND THE CONTROLLING DRAWING IDENTIFICATION SHOULD BE CONTACTED FOR THE LATEST REVISION.