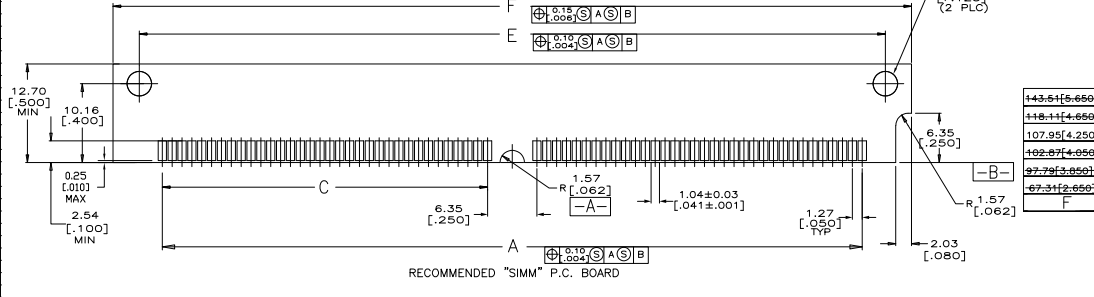
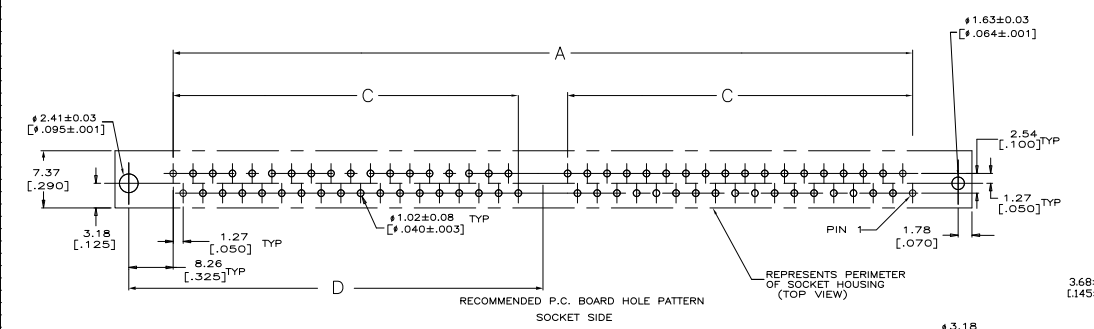
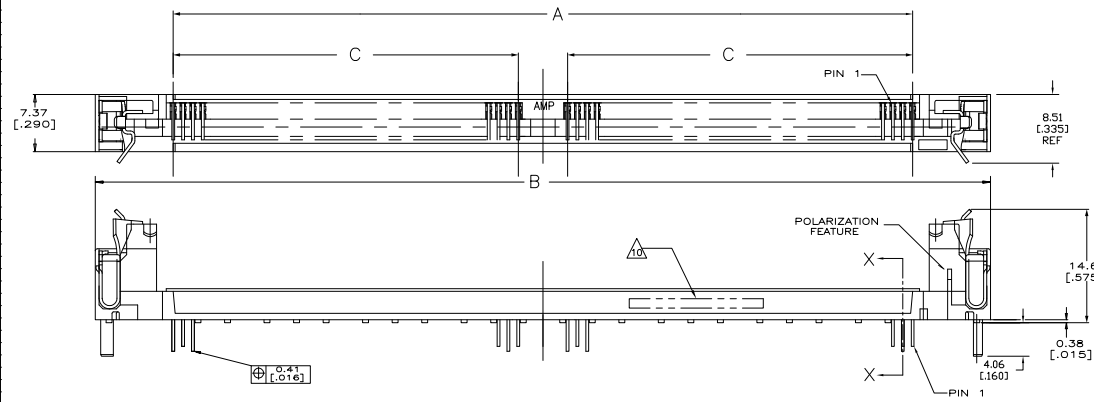
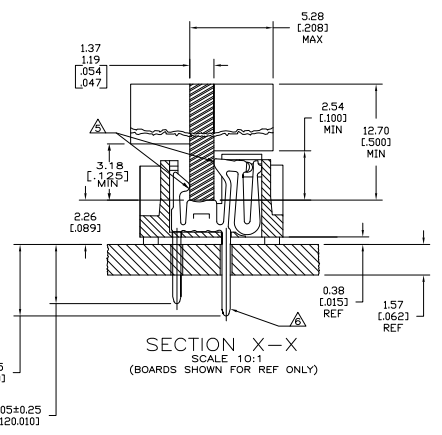


REV	DATE	DESCRIPTION	BY	CHK	APP
00					
01		REVISED PER ECO-04-00242			



- △ HOUSING-MATERIAL : LIQUID-CRYSTAL-POLYMER, COLOR:NATURAL.
- △ CONTACT-MATERIAL : PHOS. BRONZE.
- △ LATCH-MATERIAL : BRASS, NICKEL PLATE.
- △ CONTACT-PLATE 0.00127 [.000050] MIN NICKEL ALL OVER.
- △ CONTACT-PLATE 0.00076[.000030] MIN. GOLD AT CONTACT PTS.
- △ CONTACT SOLDERTAILS-PLATE 0.00508[.000200] MIN TIN/LEAD.
- 7. IN ADDITION TO THOSE RECOMMENDED "SIMM" P.C. BOARD DIMENSIONS AND TOLERANCES SHOWN, ALL JEDEC SPECIFICATIONS APPLY AS SHOWN ON MO-116, ISSUE A.
- 8. RECOMMENDED MATING S.I.M.M. TAB METALLURGY: BASE METAL-COPPER. PLATING TO BE 0.00076[.000030] MIN GOLD OVER 0.00127[.000050] MIN NICKEL.
- △ OBSOLETE
- △ DATE CODE: (YEAR WEEK) XXXX FORMAT, LOCATED APPROXIMATELY AS SHOWN ON OPPOSITE SIDE.



NO.	DESCRIPTION	QTY	UNIT	REMARKS			
143.51[5.650]	136.75[5.384]	73.66[2.900]	62.23[2.450]	151.13[5.950]	130.81[5.160]	100.	822031-6
118.11[4.650]	111.35[4.384]	60.96[2.400]	49.63[1.950]	125.73[4.950]	105.41[4.160]	80.	822031-5
107.95[4.250]	101.19[3.984]	55.88[2.200]	44.45[1.750]	115.57[4.550]	95.25[3.750]	72	822031-4
102.87[4.050]	96.11[3.784]	52.34[2.100]	41.91[1.650]	110.49[4.350]	90.17[3.550]	68	822031-3
97.79[3.850]	91.03[3.584]	50.80[2.000]	39.37[1.550]	105.41[4.150]	85.09[3.350]	64	822031-2
97.31[3.850]	90.55[3.584]	35.56[1.400]	24.13[0.950]	74.93[2.950]	54.61[2.150]	40	822031-1

THIS DRAWING IS A CONTROLLED DOCUMENT. THE ORIGINAL IS KEPT AT THE HEADQUARTERS OF THE MANUFACTURER.

REVISIONS: 1. REVISED PER ECO-04-00242

DATE: 00/00/00

SCALE: 10:1

CONNECTOR, MICRO-EDGE, .050, VERTICAL, GOLD PLATE, METAL LATCH

SIZE: A1 00779 G=822031

CUSTOMER DRAWING