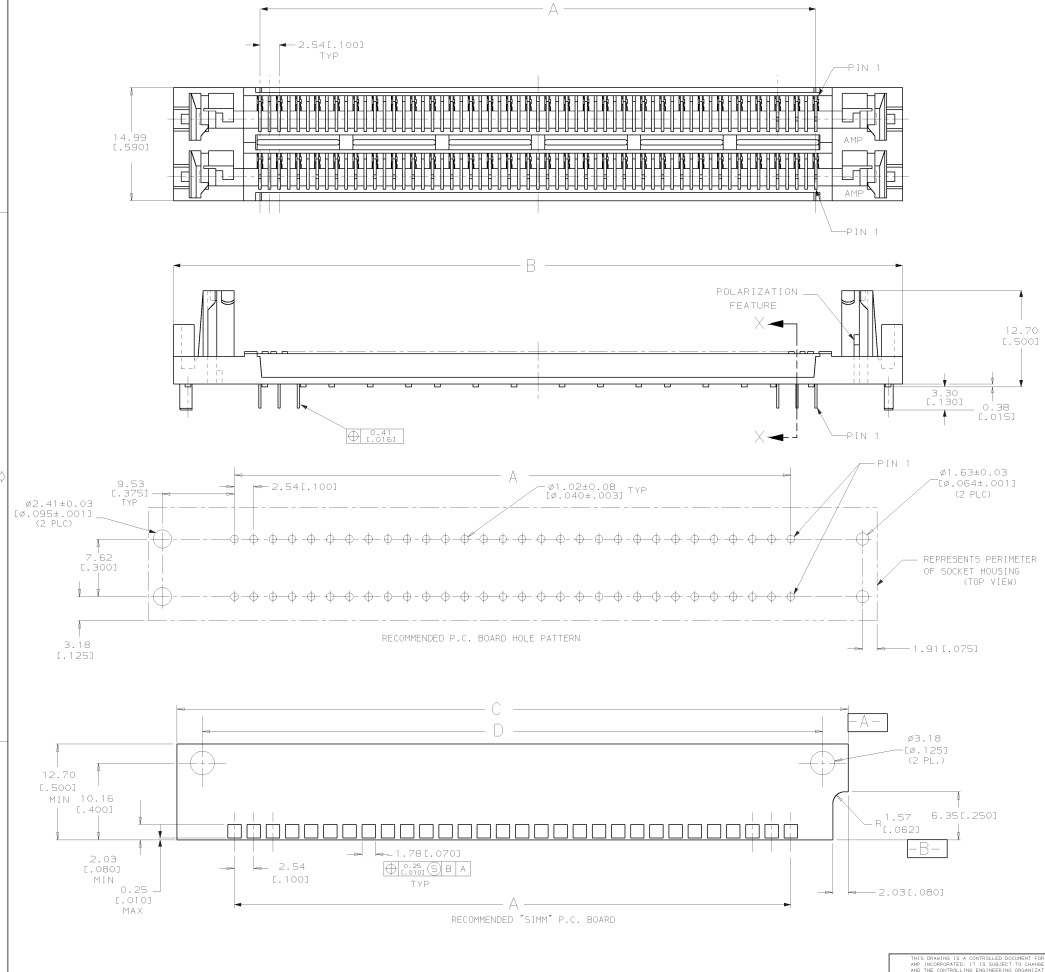
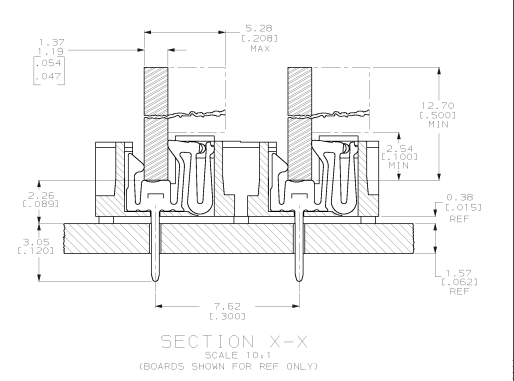


MAKING MADE IN THIS CASE PROTECTION  
 THIS DRAWING IS UNPUBLISHED.  
 © COPYRIGHT 1984 BY AMP INCORPORATED. ALL INTERNATIONAL RIGHTS RESERVED.

REV	BY	DATE	DESCRIPTION	DATE	APP
00	GP	00	M	OBsolete -2 PER 0510-0014-00	JR



- △ HOUSING-MATERIAL ; LIQUID-CRYSTAL-POLYMER.
- △ CONTACT-MATERIAL ; PHOS. BRONZE.
- △ CONTACT-PLATE 0.0050(0.000200) MIN. TIN/LEAD OVER 0.00127 (.00050) MIN NICKEL.
- 4. IN ADDITION TO THOSE RECOMMENDED "SIMM" P.C. BOARD DIMENSIONS AND TOLERANCES SHOWN, ALL JEDEC SPECIFICATIONS APPLY AS SHOWN ON MO-064, ISSUE A.
- 5. RECOMMENDED MATING 5.1MM. TAB METALLURGY; BASE METAL-COPPER. PLATING TO BE 0.00762 (.000300) MIN TIN/LEAD OVER 0.00127(.00050) MIN NICKEL.



**OBsolete**

OBsolete	12.02(4.33)	19.38(4.70)	127.90(5.03)	104.14(4.10)	45	021005-5
OBsolete	107.51(4.23)	114.92(4.53)	121.92(4.80)	92.00(3.62)	45	021005-1
OBsolete	76.88(3.02)	101.00(4.00)	109.22(4.30)	86.36(3.40)	35	021005-3
OBsolete	82.14(3.23)	88.90(3.50)	96.52(3.80)	73.66(2.90)	30	021005-2
OBsolete	61.02(2.40)	68.28(2.70)	76.20(3.00)	53.34(2.10)	20	021005-1

DO NOT SCALE PRINT. UNLESS SPECIFIED DIMENSIONS IN mm (INCHES) PREFERRED ON 3 P.C. DEC ± 0.13(0.005) UNLESS NOTED	DR 3-21-81 R-2438N CHR 3-25-81 0-11818	AMP AMP Incorporated Harrisburg, PA 17105-9608
MATERIAL HOUSING-----△ CONTACT-----△	APPD 3-26-81 1-14887	NAME CONNECTOR, MICRO-EDGE, 1 X .3, VERT, TIN PL
FINISH HOUSING--NATURAL CONTACT--△	APPLICATION SPEC -	SIZE D 00779
	RETURN -	LAB CODE 0-621885
		SCALE 4:1
		SHEET 1 OF 1

CUSTOMER DRAWING