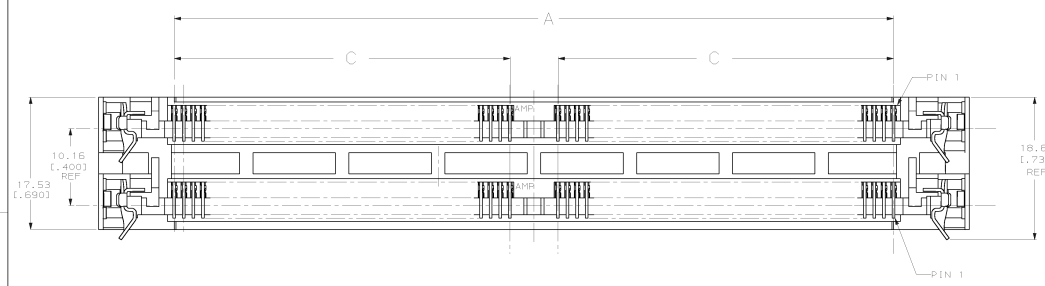
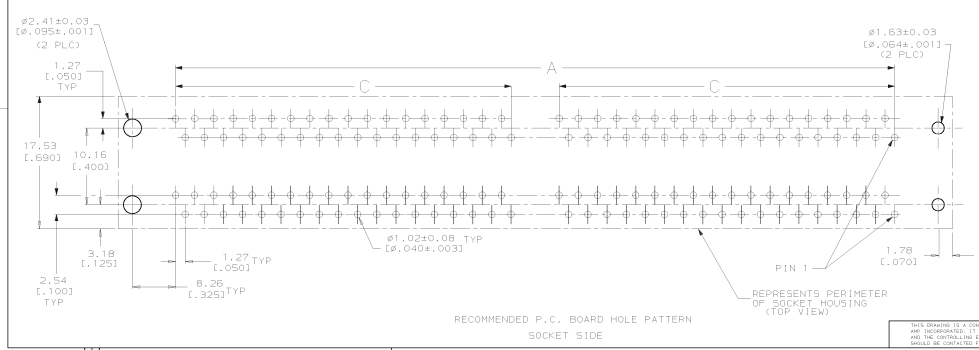
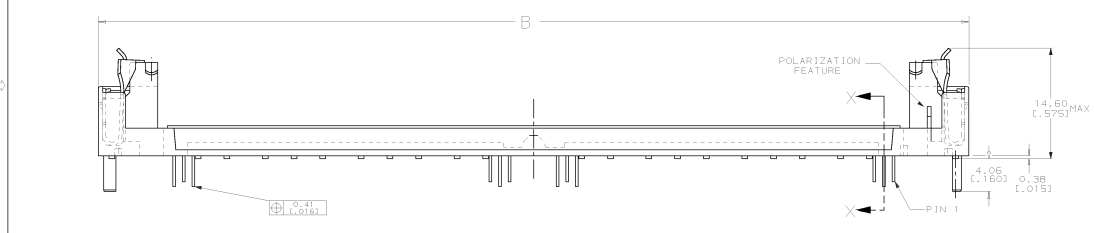


MAKING FROM IN THIS CASE PROHIBITED. RELEASED FOR PUBLICATION BY AMP INCORPORATED. ALL INTERNATIONAL RIGHTS RESERVED.

REV	ISS	DATE	DESCRIPTION	DATE	APP
GP	00		OBsolete -3,4 PER DS1D-0014-00	00070	JR



- △ HOUSING-MATERIAL ; LIQUID-CRYSTAL-POLYMER.
- △ CONTACT-MATERIAL ; PHOS. BRONZE.
- △ LATCH-MATERIAL ; BRASS, NICKEL PLATE.
- △ CONTACT-PLATE ; 0.00508(.000200) MIN. TIN/LEAD OVER 0.00127 (.000050) MIN NICKEL.
- 5. IN ADDITION TO THOSE RECOMMENDED "51MM" P.C. BOARD DIMENSIONS AND TOLERANCES SHOWN, ALL JEDEC SPECIFICATIONS APPLY AS SHOWN ON MO-116, ISSUE A.
- 6. RECOMMENDED MATING S.I.M.M. TAB METALLURGY; BASE METAL-COPPER, PLATING TO BE 0.00762(.000300) MIN TIN/LEAD OVER 0.00127(.000050) MIN NICKEL.



**OBsolete**

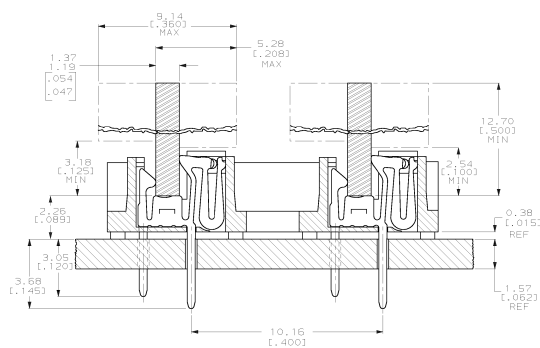
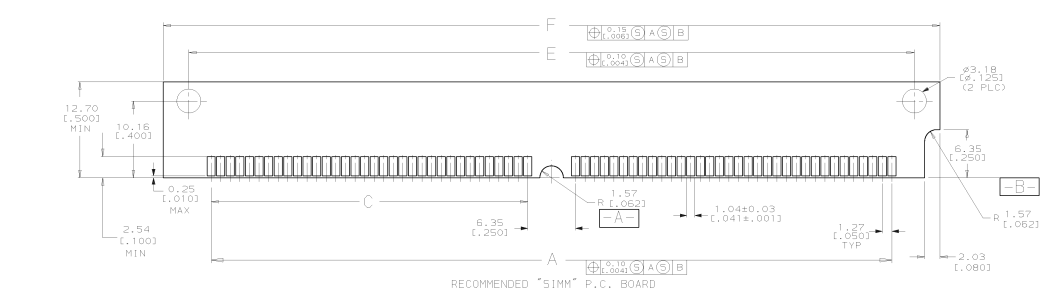
OBsolete	F	E	C	B	A	NO OF PINS	PART NO
OBsolete	118.11(4.650)	111.35(4.384)	49.53(1.950)	125.73(4.950)	105.41(4.150)	80	822023-5
OBsolete	107.95(4.250)	101.19(3.984)	44.45(1.750)	115.57(4.550)	95.25(3.750)	72	822023-4
OBsolete	102.87(4.050)	96.11(3.784)	41.91(1.650)	110.49(4.350)	90.17(3.550)	68	822023-3
OBsolete	97.79(3.850)	91.03(3.584)	39.37(1.550)	105.41(4.150)	85.09(3.350)	64	822023-2
OBsolete	67.31(2.650)	60.55(2.384)	24.13(1.950)	74.93(2.950)	54.61(2.150)	40	822023-1

DO NOT SCALE PRINT. UNLESS SPECIFIED DIMENSIONS IN MM (INCHES) PREFERRED: MM 2 P.C. DEC. # 5-131.0051 NOTES: #	DR 3-21-91 K-SALON CHR 3-25-91 P-FULLER	AMP Incorporated Harrisburg, PA 17105-9608
MATERIAL HOUSING... △ CONTACT... △ LATCH... △	APPD 3-26-91 L-LABERT APFD 3-26-91 E-WEARTHY	
FINISH HOUSING... NATURAL CONTACT... △ LATCH... △	APPLICATION SPEC RETRY -	NAME: CONN, MICRO-EDGE, .05 X .4, VERT, TIN PL, W/METAL LATCH SIZE: D 00779 SCALE: 4:1

THIS DRAWING IS A CONTROLLED DOCUMENT FOR AMP INCORPORATED. IT IS SUBJECT TO CHANGE AND THE CONTROLLING DRAWING IDENTIFICATION SHOULD BE CONTACTED FOR THE LATEST REVISION.

MAKING MADE IN MEXICO PROTECTION  
 THIS DRAWING IS UNPUBLISHED.  
 © COPYRIGHT 1984 BY AMP INCORPORATED. ALL INTERNATIONAL RIGHTS RESERVED.

REV	ISS	DATE	BY	CHK	DESCRIPTION	DATE	APP
GP	00				SEE SHEET 1		



SECTION X-X  
 SCALE 10:1  
 (BOARDS SHOWN FOR REF ONLY)

**OBsolete**

DO NOT SCALE PRINT, UNLESS SPECIFIED. DIMENSIONS IN mm (INCHES)		PART NO.	
DR 3-21-91	E. SALMON	AMP Incorporated	
CHR 3-25-91	P. MILLER	Harrisburg, PA 17105-9608	
APPD 3-26-91	J. LAMBERT	NAME	
3 P.C. DEC ±0.13(0.05) INCHES		CONN, MICRO-EDGE, .05 X .4, VERT, TIN PL, W/METAL LATCH	
MATERIAL	AMPD 3-26-91 E-MCARTNEY	SIZE	00779
SEE SHEET 1	PRODUCT SPEC	SCALE	4:1
FINISH	APPLICATION SPEC	DRAWING NO	622023
SEE SHEET 1	RETURN	SHEET	20F2

THIS DRAWING IS A CONTROLLED DOCUMENT FOR AMP INCORPORATED. IT IS SUBJECT TO CHANGE AND THE CONTROLLING DOCUMENT IDENTIFICATION SHOULD BE CONTACTED FOR THE LATEST REVISION.

CUSTOMER DRAWING