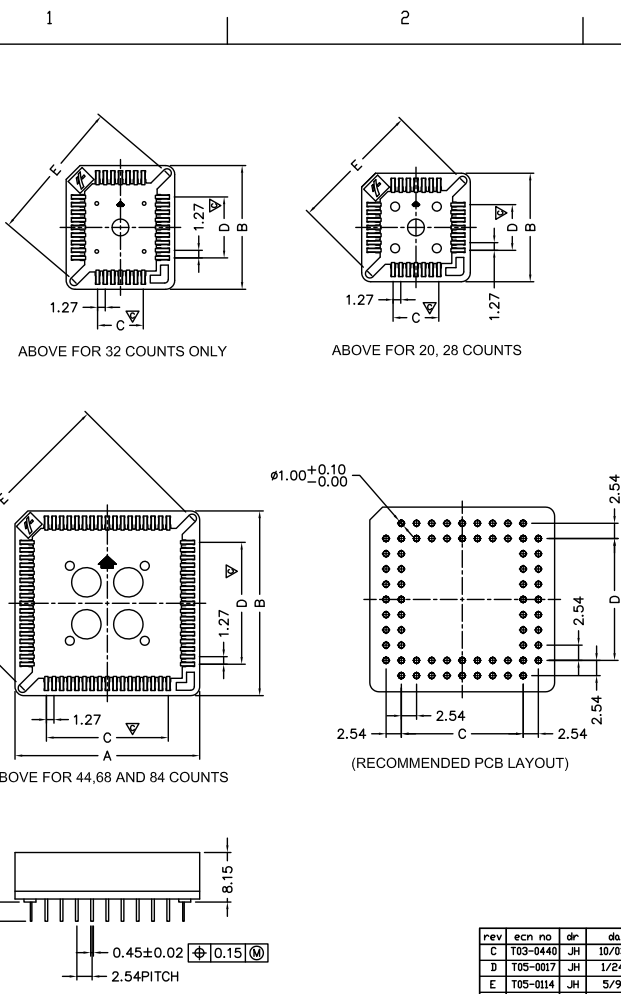




Copyright FCI



NOTES:

- 1 MATERIAL:
HOUSING: PPS UL94 V-0, Brown.
CONTACT: Copper Alloy.
- 2 FINISH:
CONTACT: 100 μm Min. Pure Tin or Tin/Lead plated on soldering end over 50 μm Min. Nickel under-plating.
- 3 ORDER INFORMATION:
54020-XX 0 3 0 PT
Series No. [] [] [] [] [] [] [] [] [] []
No. of Contacts: 20 28 32 44 52 68 84
Contact plated: 0-Tin alloy plated.
PT/LF: Pure Tin Plated.
BLANK: Tin/Lead Plated
Post/Packaging: 0-Without Post/In tube package.
Housing Material/Color: 3-PPS/Brown.
- 4 SPECIFICATION:
Current Rating: 1A Max.
Voltage Rating: 250V AC Max.
Dielectric Strength: 600V AC RMS for 1 minute.
Contact Resistance: 20 mΩ MAX.
Insulator Resistance: 1000MΩ min. at 500V DC.
Temperature: -40°C to +105°C
Durability: 25 Cycles.
- 5 PRODUCT SPECIFICATION: GES-12-054.
- 6 MANUFACTURING PROCESS COMPATIBILITY
The housing will withstand exposure to 245°C solder bath temperature for 5 second in a wave solder application.

A/P PART NO.	Dimension(mm)					MCK PART NO.
	A±0.2	B±0.2	C±0.1	D±0.1	E±0.2	
54020-20030	15.56	15.56	5.08	5.08	18.20	PLCC-20P-T
54020-28030	18.10	18.10	7.62	7.62	21.80	PLCC-28P-T
54020-32030	17.80	20.20	7.62	10.16	23.85	PLCC-32P-T
54020-44030	23.18	23.18	12.70	12.70	29.00	PLCC-44P-T
54020-52030	26.90	26.90	15.24	15.24	33.00	PLCC-52P-T
54020-68030	30.88	30.88	20.32	20.32	40.00	PLCC-68P-T-2
54020-84030	35.98	35.98	25.40	25.40	47.15	PLCC-84P-T-2

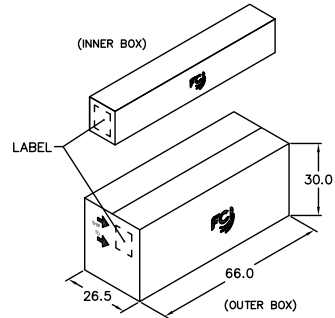
rev	ecn no	dr	date
C	T03-0440	JH	10/03/03
D	T05-0017	JH	1/24/05
E	T05-0114	JH	5/9/05
F	T05-0212	JH	9/21/05
G	T10-0010	JH	1/25/10
H	T11-0002	JH	1/11/11
J	T11-0018	JH	3/25/11

www.fciconnect.com		surface	tolerance	std	projection	MM
Dr	Jason Hsu	1/11/11	ANGULAR	0.XX ± 0.25	size	A4
Eng	Jason Hsu	1/11/11	LINEAR	0.XX ± 0.15	Scale	N/A
Chr	Gary Hsieh	1/11/11	0° ± 5°	0.XXX ± 0.10	ECN	T11-0018
Appr	Joseph Hsia	1/11/11	Product family		Spec ref	
title		PLCC DIP Socket		part no	54020	
catalog no				customer	sheet 1 of 2	



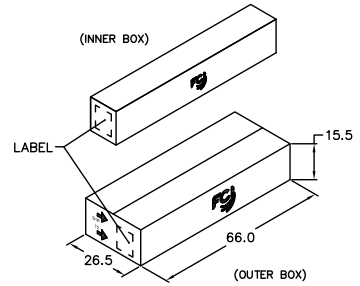
Copyright FCI

< PACKING FOR 44P >



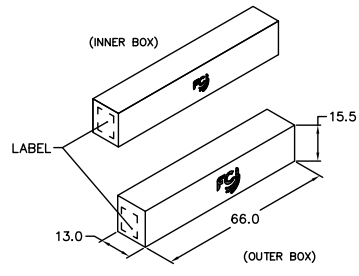
UNIT: CM

< PACKING FOR 28P,32P & 52P >



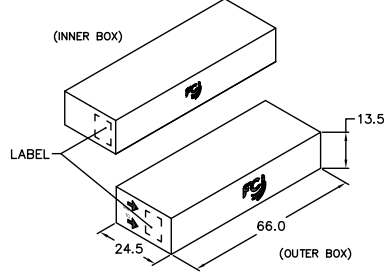
UNIT: CM

< PACKING FOR 20P >



UNIT: CM

< PACKING FOR 68P & 84P >



UNIT: CM

DIP PLCC PACKING LIST FOR TUBE=612mm								
CONTACTS	PCS/TUBE	TUBE/INNER BOX	PCS/INNER BOX	INNER BOX / OUTER BOX	PCS/ OUTER BOX	N.W.(KGS)	G.W.(KGS)	
20P	37	49	1813	1	1813	3.6	5.1	
28P	32	42	1344	2	2688	7.0	10.5	
32P	28	42	1176	2	2352	6.5	9.9	
44P	25	35	875	4	3500	13.4	20.9	
52P	21	32	672	2	1344	6.8	10.8	
68P	18	42	756	1	756	4.4	7.8	
84P	16	39	624	1	624	4.6	8.0	

REV F - 886-01-07

www.fciconnect.com			surface	tolerance std	projection	MM
			TOLERANCES UNLESS OTHERWISE SPECIFIED			
Dr	Jason Hsu	1/11/11	ANGULAR	0.X ± 0.25	size	A4
Eng	Jason Hsu	1/11/11	LINEAR	0.XX ± 0.15	Scale	N/A
Chr	Gary Hsieh	1/11/11	0° ± 5°	0.XXX ± 0.10	ECN	T11-0018
Appr	Joseph Hsia	1/11/11	Product family		Spec ref	
FCI title PLCC DIP Socket			Part no 54020		Rev.	J
catalog no			CUSTOMER		sheet 2 of 2	