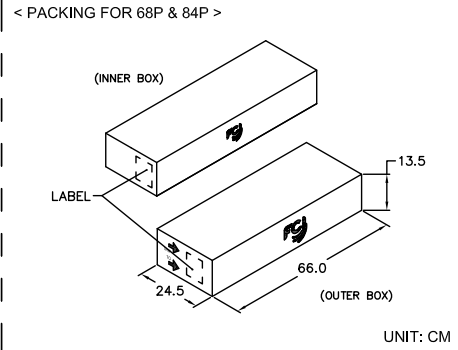
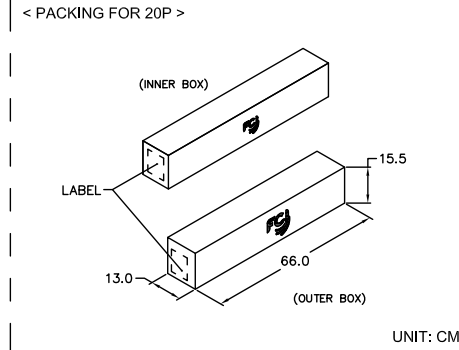
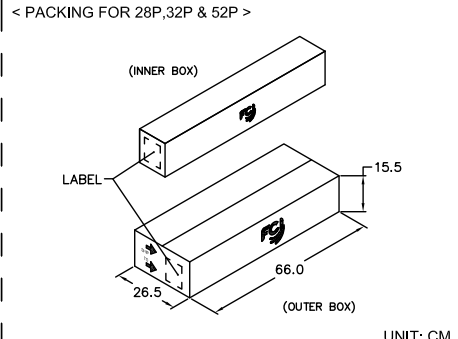
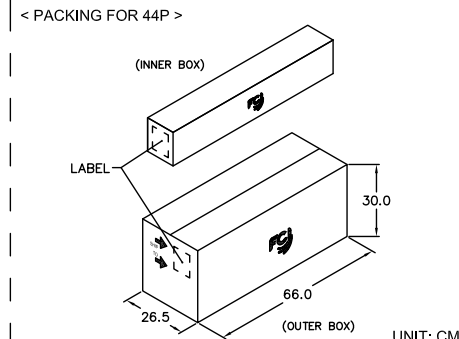




Copyright FCI



DIP PLCC PACKING LIST FOR TUBE=612mm

| CONTACTS | PCS/TUBE | TUBE/INNER BOX | PCS/INNER BOX | INNER BOX / OUTER BOX | PCS/ OUTER BOX | N.W.(KGS) | G.W.(KGS) |
|----------|----------|----------------|---------------|-----------------------|----------------|-----------|-----------|
| 20P | 37 | 49 | 1813 | 1 | 1813 | 3.6 | 5.1 |
| 28P | 32 | 42 | 1344 | 2 | 2688 | 7.0 | 10.5 |
| 32P | 28 | 42 | 1176 | 2 | 2352 | 6.5 | 9.9 |
| 44P | 25 | 35 | 875 | 4 | 3500 | 13.4 | 20.9 |
| 52P | 21 | 32 | 672 | 2 | 1344 | 6.8 | 10.8 |
| 68P | 18 | 42 | 756 | 1 | 756 | 4.4 | 7.8 |
| 84P | 16 | 39 | 624 | 1 | 624 | 4.6 | 8.0 |

| | | | | | | |
|--------------------|-------------|---------|---------------------------------------|---------------|------------|--------------|
| www.fciconnect.com | | | surface | tolerance std | projection | MM |
| | | | TOLERANCES UNLESS OTHERWISE SPECIFIED | | | |
| Dr | Jason Hsu | 1/11/11 | ANGULAR | 0.X ± 0.25 | size | A4 |
| Eng | Jason Hsu | 1/11/11 | LINEAR | 0.XX ± 0.15 | Scale | N/A |
| Chr | Gary Hsieh | 1/11/11 | 0° ± 5° | 0.XXX ± 0.10 | ECN | T11-0018 |
| Appr | Joseph Hsia | 1/11/11 | Product family | | Spec ref | |
| | | | title PLCC DIP Socket | | part no | 54020 |
| | | | catalog no | | CUSTOMER | sheet 2 of 2 |

REV F - 886-01-07