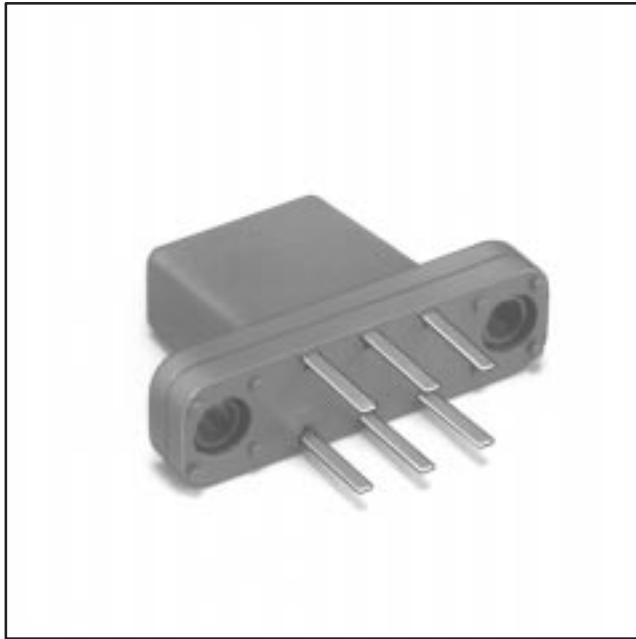


# Discrete Power In-Line Sockets



- Accepts a wide variety of in-line devices up to 3 leads including TO-3 and TO-66
- Kelvin contacts
- Repairable - body and contacts replaceable
- Slotted out 2 entry ports accept devices with .075" (1.90 mm) to .200" (5.1 mm) between leads
- Must be mounted to board with screws

Date Issued: February 19, 2001

TS-0458-07  
Sheet 1 of 2

40

---

## Physical

### Insulation

Material: Glass Filled Polyphenylene-Sulfide  
Flammability: UL 94V-0  
Color: Black

**Marking:** 3M Logo & Part Number Identifier

### Contact

Material: Beryllium Copper  
Plating: 30  $\mu$ " (0.76  $\mu$ m) Gold over 50  $\mu$ " (1.3  $\mu$ m) Nickel

---

## Electrical

**Current Rating:** 1 Amp  
**Insulation Resistance:**  $>1 \times 10^{12} \Omega$  at 500 Vdc  
**Withstanding Voltage:** 1000 Vrms at Sea Level

---

## Environmental

**Operating Temperature Rating:** - 55° C to + 150° C

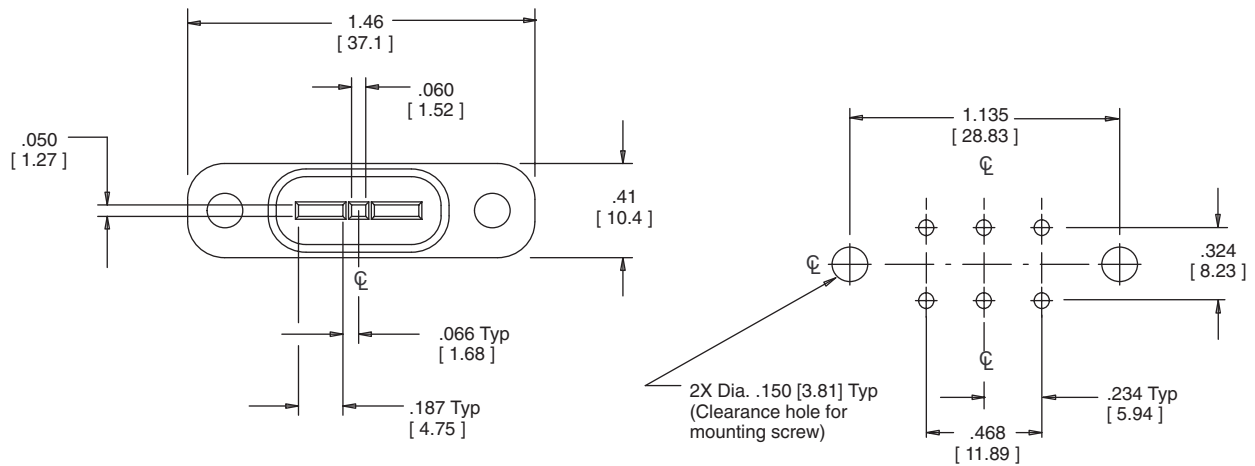
---

### 3M Electronic Handling and Protection Division

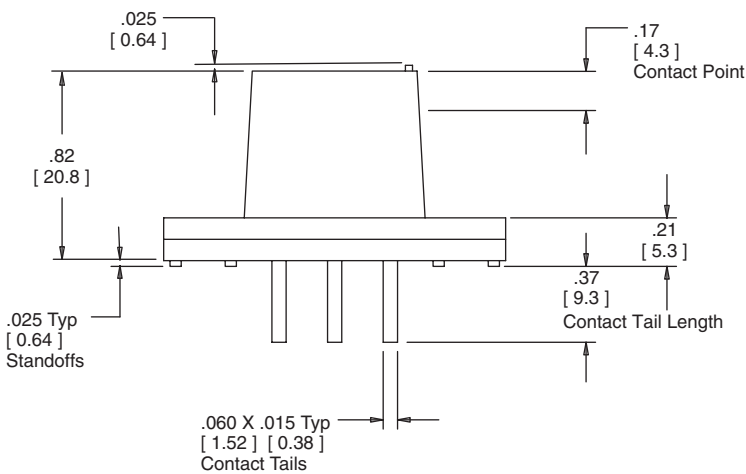
6801 River Place Blvd.  
Austin, TX 78726-9000

For technical, sales or ordering information call **800-328-0411**  
or visit our website: <http://www.3M.com/ehpd>

# Discrete Power In-Line Sockets



**P.C. BOARD PATTERN**



	Tolerance $\frac{\text{inch}}{\text{(mm)}}$	
<b>Dimension</b>	$\frac{.00}{(.0)}$	$\frac{.000}{(.00)}$
<b>Tolerance</b>	$\pm .010$ ( $\pm .25$ )	$\pm .005$ ( $\pm .13$ )

## Ordering Information

**203-2737-55-1102**

TS-0458-07  
Sheet 2 of 2

## 3M Electronic Handling and Protection Division

6801 River Place Blvd.  
Austin, TX 78726-9000

For technical, sales or ordering information call **800-328-0411**  
or visit our website: <http://www.3M.com/ehpd>