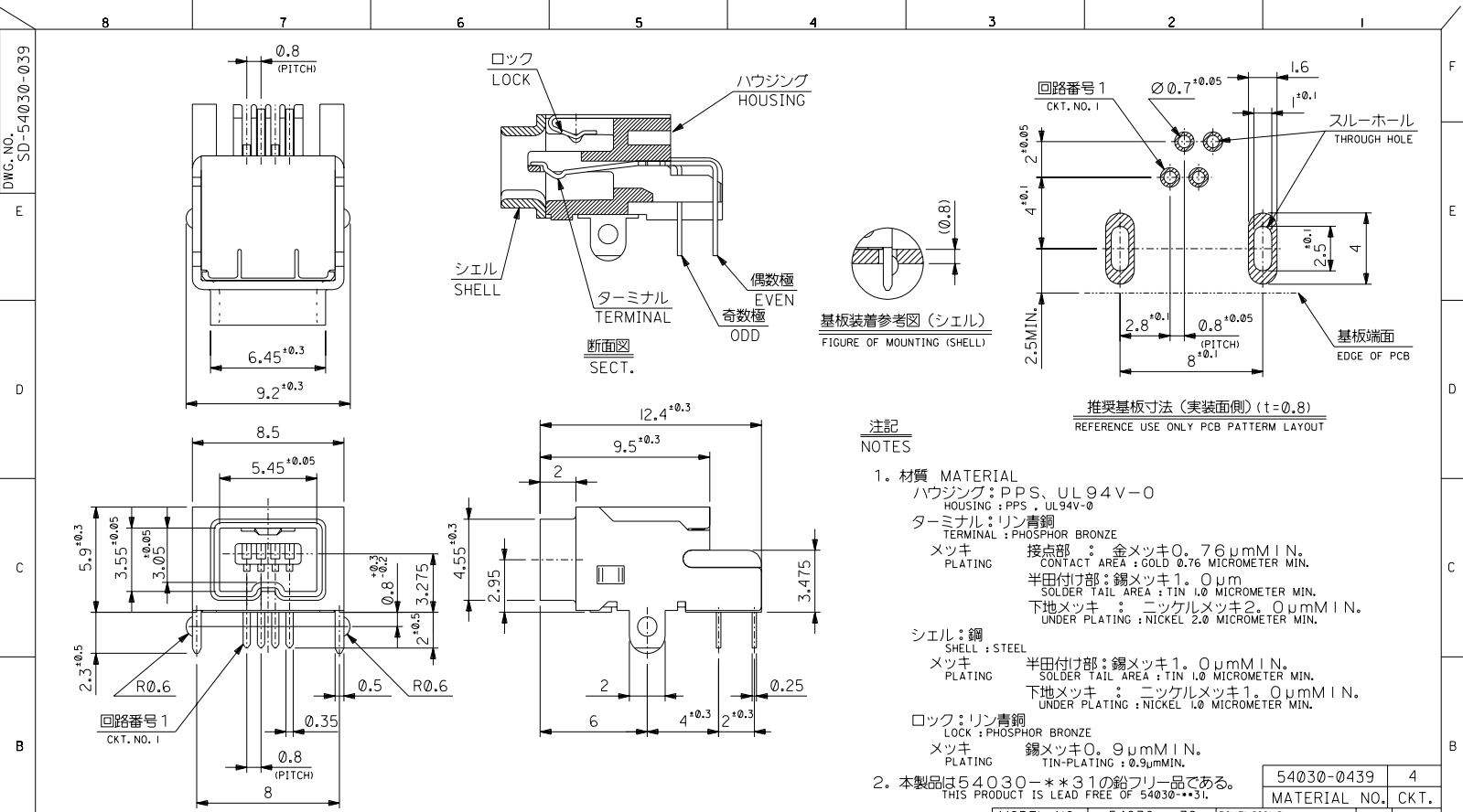


DWG. NO. SD-54030-039



注記 NOTES

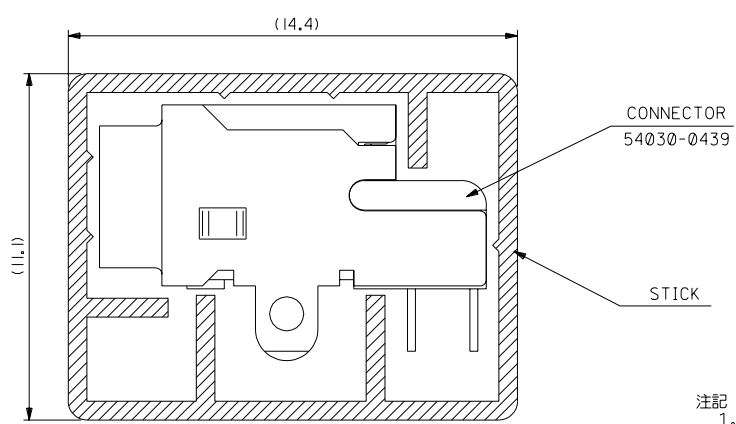
- 材質 MATERIAL
 ハウジング: PPS, UL94V-0
 HOUSING: PPS, UL94V-0
 ターミナル: リン青銅
 TERMINAL: PHOSPHOR BRONZE
 メッキ PLATING
 接点部: 金メッキ0.76μmMIN.
 CONTACT AREA: GOLD 0.76 MICROMETER MIN.
 半田付け部: 錫メッキ1.0μm
 SOLDER TAIL AREA: TIN 1.0 MICROMETER MIN.
 下地メッキ: ニッケルメッキ2.0μmMIN.
 UNDER PLATING: NICKEL 2.0 MICROMETER MIN.
 シェル: 鋼
 SHELL: STEEL
 メッキ PLATING
 半田付け部: 錫メッキ1.0μmMIN.
 SOLDER TAIL AREA: TIN 1.0 MICROMETER MIN.
 下地メッキ: ニッケルメッキ1.0μmMIN.
 UNDER PLATING: NICKEL 1.0 MICROMETER MIN.
 ロック: リン青銅
 LOCK: PHOSPHOR BRONZE
 メッキ PLATING
 錫メッキ0.9μmMIN.
 TIN-PLATING: 0.9μmMIN.

2. 本製品は54030-**-31の鉛フリー品である。
 THIS PRODUCT IS LEAD FREE OF 54030-**-31.

54030-0439	4
MATERIAL NO.	CKT.

DO NOT SCALE DRAWING		EC NO. DRWN: CH'K: APPR:		EC NO. DRWN: CH'K: APPR:		EC NO. DRWN: CH'K: APPR:		EC NO. DRWN: CH'K: APPR:		EC NO. DRWN: CH'K: APPR:		REV		MATERIAL		GENERAL TOLERANCES:		SCALE		MODEL NO.		DIMENSIONS:		SHT		REV	
												0		SEE NOTES		UNLESS SPECIFIED:		5 : 1		54030-**-39		mm INCH		1 OF 1		1	
												FINISH		SEE NOTES		10 UNDER		DRAWN BY & DATE		TITLE:		mm ONLY		REVISE ON		CAD ONLY	
												WIRE RANGE				10 OVER		Y.WADA '04/05/14		0.8mm PITCH I/O CONN.		mm ONLY		REVISE ON		CAD ONLY	
												INS. RANGE				30 UNDER		M.SASAO '04/05/14		SOCKET HOUSING ASSY		mm ONLY		REVISE ON		CAD ONLY	
												WIRE RANGE				30 OVER		M.SASAO '04/05/14		-LEAD FREE-		mm ONLY		REVISE ON		CAD ONLY	
												INS. RANGE				ANGLE				MOLEX INCORPORATED		mm ONLY		REVISE ON		CAD ONLY	
												WIRE RANGE				3*				SEE CHART		mm ONLY		REVISE ON		CAD ONLY	
												INS. RANGE								MATERIAL NO.		mm ONLY		REVISE ON		CAD ONLY	
												WIRE RANGE								DRAWING NO.		mm ONLY		REVISE ON		CAD ONLY	
												INS. RANGE								SD-54030-039		mm ONLY		REVISE ON		CAD ONLY	
												WIRE RANGE								1 OF 1		mm ONLY		REVISE ON		CAD ONLY	
												INS. RANGE								SIZE		mm ONLY		REVISE ON		CAD ONLY	
												WIRE RANGE								B		mm ONLY		REVISE ON		CAD ONLY	
												INS. RANGE								EN-02J(097) MXJ-54		mm ONLY		REVISE ON		CAD ONLY	

DWG. NO.
SD-54030-040



- 注記 (NOTES)
- スティックの両端はキャップ止め。
BOTH ENDS WITH CAPS.
 - スティック肉厚: 0.6
THICKNESS : 0.6
 - スティック全長: 600⁺²
TOTAL LENGTH : 600⁺²
 - 本製品は54030-**-91の鉛フリー品である。
THIS PRODUCT IS LEAD FREE OF 54030-**-91.

DO NOT SCALE DRAWING

EC NO. DRWN: CHK: APPR:		EC NO. DRWN: CHK: APPR:		EC NO. DRWN: CHK: APPR:		EC NO. DRWN: CHK: APPR:		EC NO. DRWN: CHK: APPR:		RELEASED EC NO. J2004-4239 DRWN: Y.WADA '04/05/14 CHK: M.SASAO '04/05/14 APPR: M.SASAO '04/05/14		MATERIAL 材料 SEE NOTES		GENERAL TOLERANCES: (UNLESS SPECIFIED) 一般公差		SCALE 5 : 1		MODEL NO. DESIGN UNITS 54030-**-71 <input checked="" type="checkbox"/> mm <input type="checkbox"/> INCH		PACKAGING QUANTITY 60		MATERIAL NO. 54030-0471		CKT. NO. 4			
										FINISH 仕上げ SEE NOTES		WIRE RANGE 適用電線範囲 //		INS. RANGE 被覆外径 //		DRAWN BY & DATE Y.WADA '04/05/14		CHECKED BY & DATE M.SASAO '04/05/14		APPROVED BY & DATE M.SASAO '04/05/14		THIRD ANGLE PROJECTION <input type="checkbox"/> mm <input type="checkbox"/> INCH <input checked="" type="checkbox"/> mm ONLY		DIMENSIONS: <input type="checkbox"/> mm <input type="checkbox"/> INCH <input checked="" type="checkbox"/> mm ONLY		SHT REV	
										TITLE: 54030-0439 STICK PACKAGING -LEAD FREE-		CAD FILENAME SD-54030-040.S01		ANGLE 角度 ±3°		THIS DRAWING CONTAINS INFORMATION THAT IS PROPRIETARY TO MOLEX INCORPORATED AND SHOULD NOT BE USED WITHOUT WRITTEN PERMISSION.		MATERIAL NO. SEE CHART		DRAWING NO. SD-54030-040		SHEET NO. 1 OF 1					
																		MOLEX INCORPORATED		SIZE B							
																				EN-02J(097) MXJ-54							