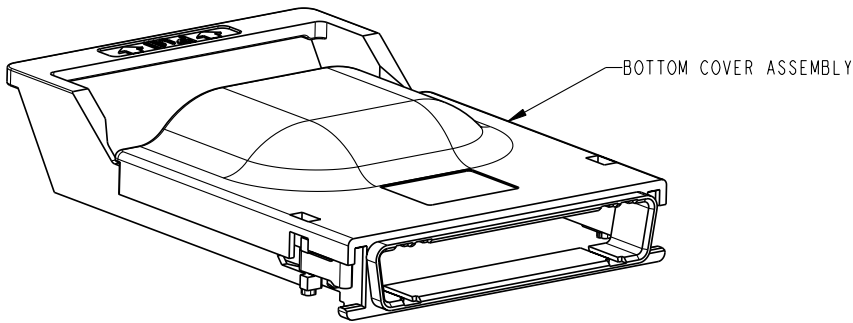


Tous droits strictement réservés. Reproduction ou communication à des tiers interdite sous quelque forme que ce soit sans la permission écrite de la Propriété de FCI. Droits de reproduction FCI.

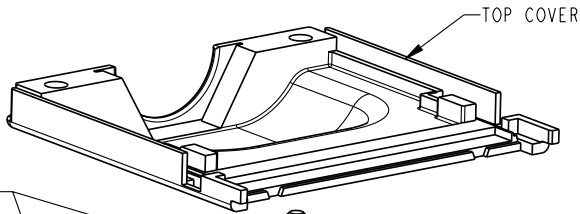


All rights strictly reserved. Reproduction or issue to third parties in any form whatever is not permitted without written permission of FCI. Copyright FCI.

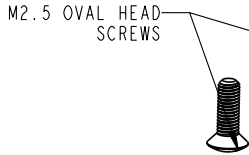
PRODUCT NUMBER
58477-002



BOTTOM COVER ASSEMBLY



TOP COVER



M2.5 OVAL HEAD
SCREWS

NOTES:

- MATERIAL:
DIE CAST SHELL: ZINC WITH Ni PLATING OVER
COPPER UNDERPLATING.
PULL TAB: THERMOPLASTIC
LATCH: STAINLESS STEEL
SCREWS: STAINLESS STEEL(M2.5)
- USED WITH EYEMAX® PLUG 58443 (WITHOUT PCB),
58638 (WITH UNEQUALIZED PCB) OR 10026694 (WITH
EQUALIZED PCB). COVER ASSEMBLY AND CONNECTOR
CAN ALSO BE PURCHASED TOGETHER IN KIT 58442.

TOLERANCES UNLESS OTHERWISE SPECIFIED				rev	ecn no	dr	date
LINEAR	0.X	±.3	-	A	V03-0406	GIP	04/09/03
	0.XX	±.10	-	-	-	-	-
	0.XXX	±.050	-	-	-	-	-
ANGULAR	0°	±2°	-	B	V04-0484	DAI	06/09/04

FCI		www.fciconnect.com	surface 3.2 ASME Y14.5	tolerance ASME Y14.5	projection	MM
Dr	G.PETERS	04/09/03	Product family	EyeMax (TM)	size	A4
Eng	G.PETERS	04/09/03	Spec ref	-	Scale	1:1
Chr	G.PETERS	04/09/03	Material	SEE NOTES	ECN	V04-0484
Appr	D.BRANN	04/09/03				
title					part no	Rev.
I2X COVER ASSY KIT					58477	B
EYEMAX (TM)					CUSTOMER	sheet 1 of 1
catalog no						

PDM: Rev:B

STATUS: Released 4 Printed: Jul 22, 2010