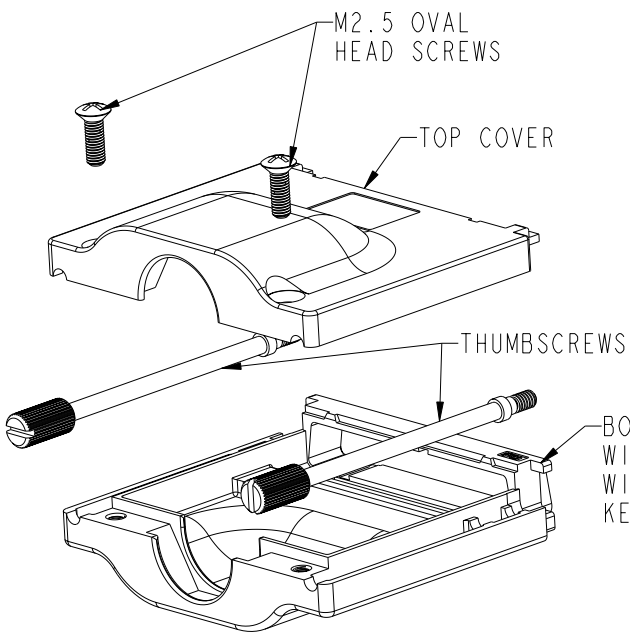


FCI CONFIDENTIAL



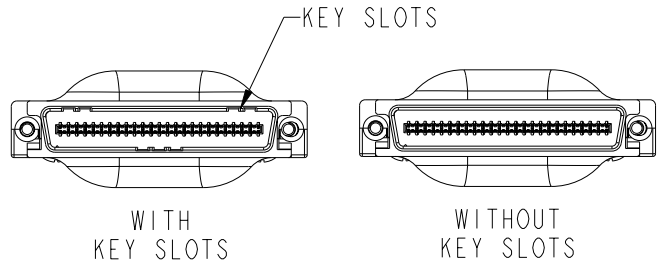
This document is the property of and embodies CONFIDENTIAL and PROPRIETARY information of FCI. No part of the information shown on this document may be used in any way or disclosed to others without the written consent of FCI. Copyright FCI.

PRODUCT NUMBER	DESCRIPTION
10021737-002	COVER ASSEMBLY KIT WITH KEY SLOTS
10021737-012	COVER ASSEMBLY KIT WITHOUT KEY SLOTS



NOTES:

- MATERIAL:  
DIE CAST SHELLS: ZINC WITH Ni PLATING OVER COPPER UNDER PLATING.  
THUMBSCREWS: STAINLESS STEEL  
SCREWS: STAINLESS STEEL
- USED WITH EYEMAX® PLUG 58443 (WITHOUT PCB), 58638 (WITH UNEQUALIZED PCB) OR 10026694 (WITH EQUALIZED PCB). COVER ASSEMBLY AND CONNECTOR CAN ALSO BE PURCHASED TOGETHER IN KIT 10014004.



REV	ECN NO	DR	DATE
A	V03-0936	GIP	08/21/03
B	V03-1084	DAI	11/14/03
C	V04-0484	DAI	06/09/04
D	V05-0505	LP	6/27/05
E	M07-0065	MHT	2007-01-25

TOLERANCES UNLESS OTHERWISE SPECIFIED		
LINEAR	0.X	±0.3
	0.XX	±0.10
	0.XXX	±0.050
ANGULAR	0°	±2°

Material	-	Spec ref	-
Mat code	-	surface	tolerance
Heatreat	-	ASME Y14.5	ASME Y14.5
Plating/Finish	-	projection	MM
Dr	G. PETERS	08/21/03	size A4
Eng	D. BRANN	08/21/03	Scale 13:10
Chr	D. BRANN	08/21/03	Product family EyeMax (TM)
Appr	D. BRANN	08/21/03	Model Name 10021737-EXP
			Model Revision E
			REL Level Released
FCI	12X COVER ASSEMBLY KIT	no	10021737
	f/ THUMBSCREW STYLE EYEMAX(TM)	Eng	
Pro/E file	catalog no		CUSTOMER
			sheet 1 of 1