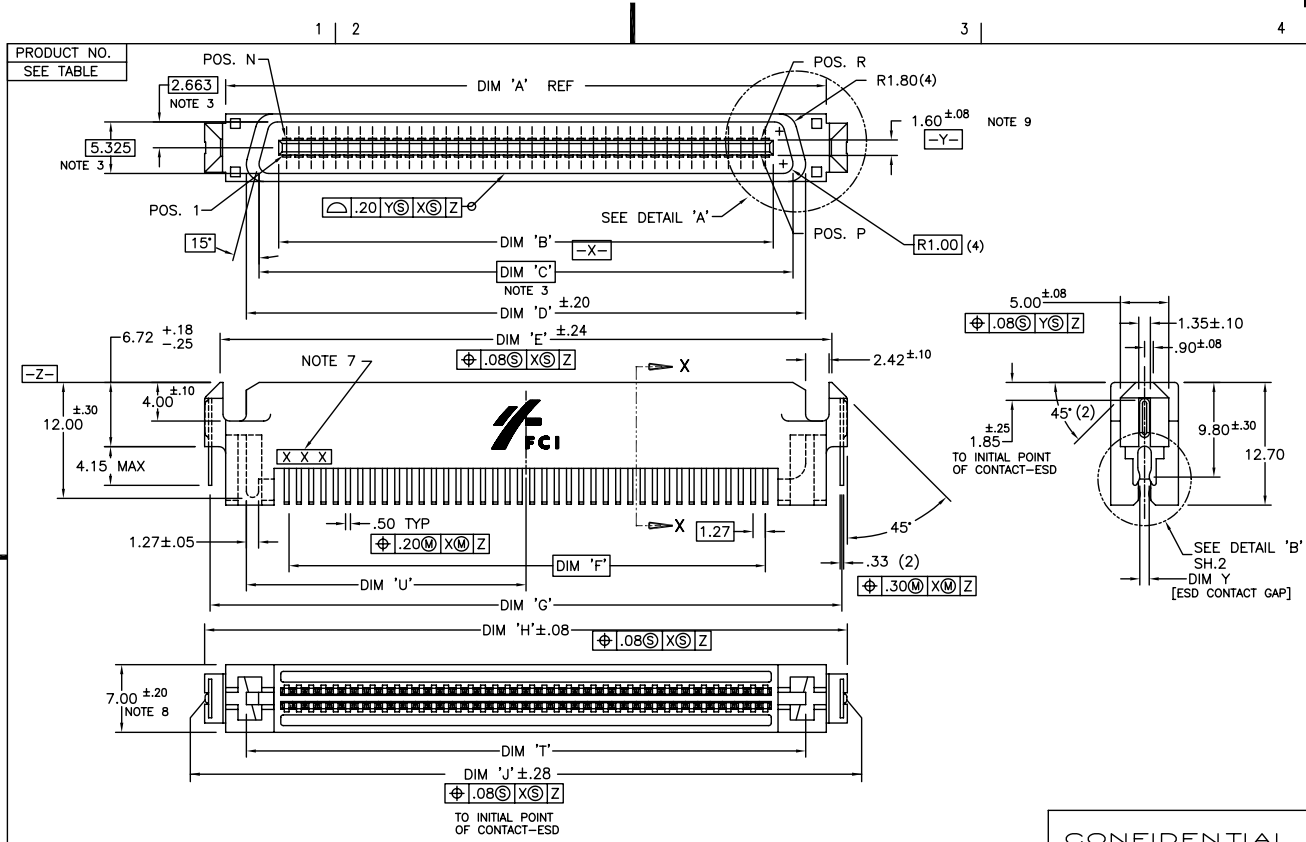


Tous droits strictement réservés. Reproduction ou communication à des tiers interdite sous quelque forme que ce soit sans autorisation écrite du propriétaire. Property of FCI. Copyright FCI.

All rights strictly reserved. Reproduction or issue to third parties in any form whatsoever is not permitted without written authority from the proprietor. Property of FCI. Copyright FCI.



CONFIDENTIAL

mat'l. code				tolerances unless otherwise specified				CUSTOMER COPY		FCI	
ltr	ecn no	dr	date	linear	.X ±.3	projection	MM	title		www.fciconnect.com	
L	S10131	GLL	11/12/01		.XX ±.13		MM	SCA2 PLUG CONNECTOR		code	
M	S20041	GLL	4/22/02		.XXX ±.051			STRADDLE MOUNT		product family	
N	S03-0049	GLL	4/03/03	angles	0° ±2°	scale		size		dwg no	
P	S04-0058	GLL	3/30/04	dr	FUSSELMAN 9/22/95	1:1		A		71292	
R	S04-0246	GLL	11/18/04	engr	J.DAVID 9/22/95					sheet	
S	S05-0051	GLL	2/23/05	chr	GL LOO 2/20/01					1 of 4	
				appd	JOEY NG 2/20/01					cage code	
sheet index	revision sheet	S	S	S	S					22526	

ACAD

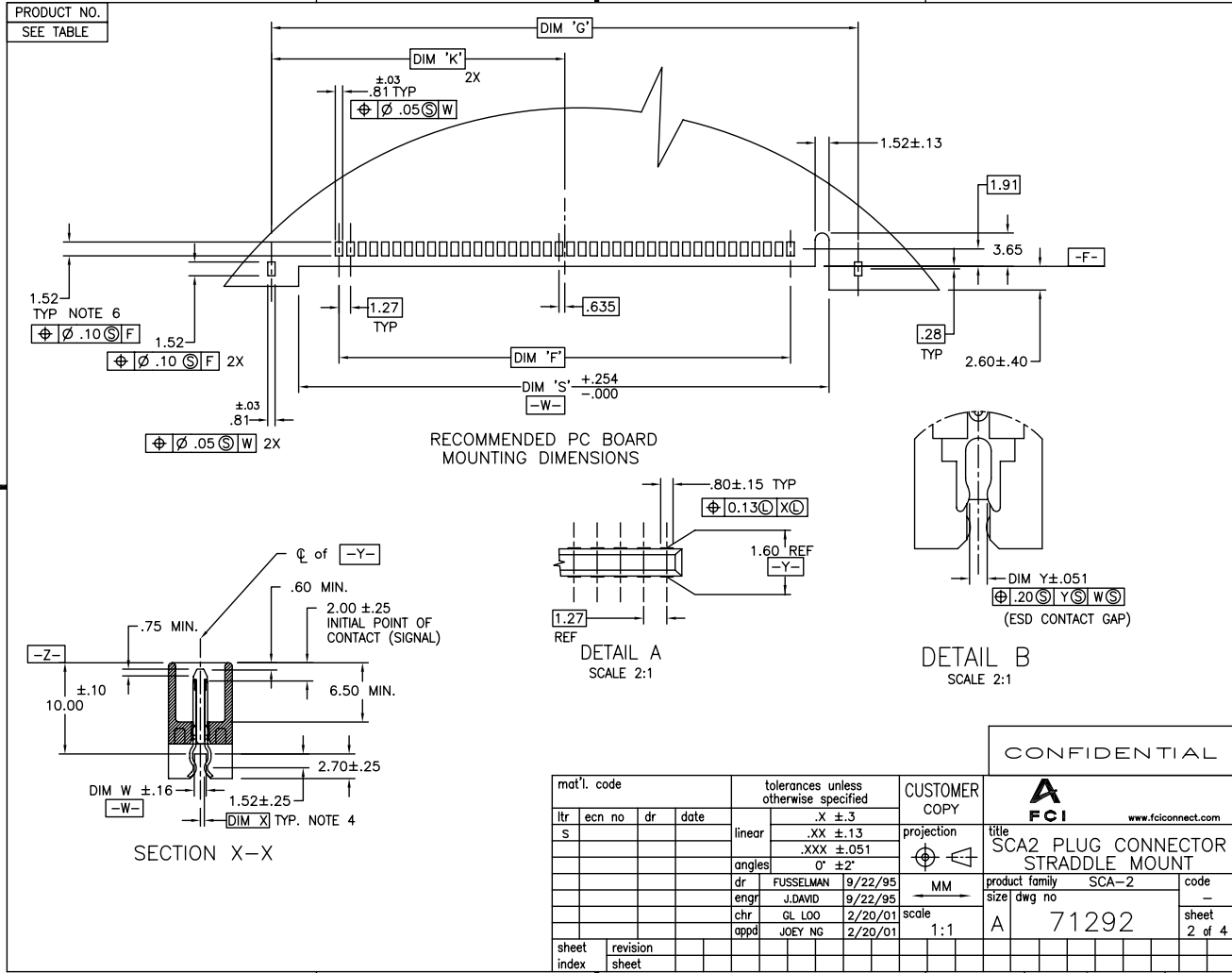
PDM: Rev:S

STATUS: Released

Printed Sep 14, 2009

Tous droits strictement réservés. Reproduction ou communication à des tiers interdite sous quelque forme que ce soit sans autorisation écrite du propriétaire. Property of FCI. All rights reserved. FCI.

All rights strictly reserved. Reproduction or issue to third parties in any form whatsoever is not permitted without written authority from the proprietor. Property of FCI. Copyright FCI.



CONFIDENTIAL

mat'l. code		tolerances unless otherwise specified		CUSTOMER COPY		FCI www.fciconnect.com	
ltr	ecn no	dr	date	linear	.X $\pm .3$	projection	title
S					.XX $\pm .13$	ϕ	SCA2 PLUG CONNECTOR STRADDLE MOUNT
				angles	.XXX $\pm .051$		product family
				dr	0' $\pm 2'$		SCA-2
				engr	FUSSELMAN 9/22/95	MM	size
				chr	J.DAVID 9/22/95	1:1	dwg no
				appd	GL LOO 2/20/01		71292
					JOEY NG 2/20/01		code
sheet index	revision sheet						22526
							STATUS: Released

ACAD

PDM: Rev:S

cage code 22526

STATUS: Released

Printed Sep 14, 2009

Tous droits strictement réservés. Reproduction ou communication à des tiers interdite sous quelque forme que ce soit sans autorisation écrite du propriétaire. Property of FCI. All rights reserved. Reproduction or communication to third parties in any form whatsoever is not permitted without written authority from the proprietor. Property of FCI. Copyright FCI.

PRODUCT NO.	NO. POS.	DIM A REF	DIM B	DIM C	DIM D	DIM E	DIM F	DIM G	DIM H	DIM J	DIM K	POS. N	POS. P	POS. R	DIM S	DIM T	DIM U	DIM V	DIM W	DIM X	DIM Y	PLATING
71292-001																						
-001S	80	62.15	51.17	55.27	57.87	63.30	49.53	65.36	66.50	66.40	32.68	41	40	80	57.91	57.82	28.88	1.32	1.30	0.44	0.97	NOTE 2
-101S																						NOTE 10
71292-002																						
-002S	40	36.75	25.77	29.87	32.47	37.90	24.13	39.95	41.10	41.00	19.98	21	20	40	32.52	32.41	16.20	1.32	1.30	0.44	0.97	NOTE 2
-102S																						NOTE 10
71292-003S	80	62.15	51.17	55.27	57.87	63.30	49.53	65.36	66.50	66.40	32.68	41	40	80	57.91	57.82	28.88	1.83	1.83	0.72	1.52	NOTE 2
-103S																						NOTE 10
71292-004S	40	36.75	25.77	29.87	32.47	37.90	24.13	39.95	41.10	41.00	19.98	21	20	40	32.52	32.41	16.20	1.83	1.83	0.72	1.52	NOTE 2
-104S																						NOTE 10

NOTES:

- HOUSING: LCP, UL94V-0 RATED, COLOR: BLACK
CONTACTS: PHOSPHOR-BRONZE
ESD CONTACT: PHOSPHOR-BRONZE
- PLATING:
CONTACTS: 0.76µm (30µ") MIN GXT IN CONTACT AREA,
2.54µm (100µ") MIN TIN-LEAD ON P.C. BOARD LEG,
1.27µm (50µ") MIN NICKEL UNDERPLATE OVER ENTIRE TERMINAL.
ESD CONTACT: 2.54µm (100µ") MIN TIN-LEAD
PLATING W/ 1.27µm (50µ") NICKEL UNDERPLATE
- MEASURED AT THE FLOOR OF THE CAVITY MEASURED 6mm FROM DATUM \bar{Z}
- APPLIES TO ALL SURFACES OF CONTACT TAILS.
- MAXIMUM BOARD THICKNESS THAT CONNECTOR CAN ACCOMODATE IS DEFINED BY DIM 'V'.
- THESE DIMENSIONS RESULT IN THE CONTACT RESTING IN CENTER OF PAD WIDTH. THESE DIMENSIONS ARE SUBJECT TO CHANGE DEPENDING ON CUSTOMER'S MANUFACTURING PREFERENCES IN PROCESS SOLDER PLACEMENT AND REFLOW.
- DATE CODE IN THIS AREA
- MEASUREMENT MADE AT CENTER OF PART, MAY BE AS LOW AS 6.55. DESIGN TO BE MADE TO ACHIEVE THE NOMINAL DIMENSION ACROSS THE ENTIRE PART.
- DISTANCE MEASURED ACROSS CONTACT MATING SURFACES ALONG EFFECTIVE MATING AREA AND CONTACT MUST BE ABOVE PLASTIC ALONG EFFECTIVE MATING AREA.
- PLATING:
CONTACTS: 0.76µm (30µ") MIN GOLD IN CONTACT AREA,
2.54µm (100µ") MIN TIN-LEAD ON P.C. BOARD LEG,
1.27µm (50µ") MIN NICKEL UNDERPLATE OVER ENTIRE TERMINAL.
ESD CONTACT: 2.54µm (100µ") MIN TIN-LEAD
PLATING W/ 1.27µm (50µ") NICKEL UNDERPLATE
- PART NUMBERS ENDING IN -0xx or -0xxS or -1xxS ARE MANUFACTURED WITH BRIGHT FINISH TIN-LEAD PLATING IN P.C. BOARD LEG AREA.

CONFIDENTIAL

mat'l. code		tolerances unless otherwise specified		CUSTOMER COPY		FCI www.fciconnect.com		
ltr	ecn no	dr	date	linear	.X ±.3	projection	title	
S					.XX ±.13		SCA2 PLUG CONNECTOR STRADDLE MOUNT	
					.XXX ±.051		product family	SCA-2
				angles	0° ±2'		size	dwg no
				dr	FUSSELMAN 9/22/95	MM	code	
				engr	J.DAVID 9/22/95	scale	1:1	
				chr	GL LOO 2/20/01	A	71292	
				appd	JOEY NG 2/20/01		sheet	
sheet index	revision sheet						3 of 4	

All rights strictly reserved. Reproduction or issue to third parties in any form whatsoever is not permitted without written authority from the proprietor. Property of FCI. Copyright FCI.

1 | 2

3 |

4

ACAD

PDM: Rev:S

cage code 22526

STATUS: Released

Printed Sep 14, 2009

Tous droits strictement réservés. Reproduction ou communication à des tiers interdite sans autorisation écrite du propriétaire. Property of FCI. All rights reserved. Reproduction or communication to third parties in any form whatsoever is not permitted without written authority from the proprietor. Property of FCI. Copyright FCI.



All rights strictly reserved. Reproduction or issue to third parties in any form whatsoever is not permitted without written authority from the proprietor. Property of FCI. Copyright FCI.

PRODUCT NO.	NO. POS.	DIM A REF	DIM B	DIM C	DIM D	DIM E	DIM F	DIM G	DIM H	DIM J	DIM K	POS. N	POS. P	POS. R	DIM S	DIM T	DIM U	DIM V	DIM W	DIM X	DIM Y	PLATING
71292-001LF	80	62.15	51.17	55.27	57.87	63.30	49.53	65.36	66.50	66.40	32.68	41	40	80	57.91	57.82	28.88	1.32	1.30	0.44	0.97	NOTE 16
-201LF																						NOTE 12
71292-002LF	40	36.75	25.77	29.87	32.47	37.90	24.13	39.95	41.10	41.00	19.98	21	20	40	32.52	32.41	16.20	1.32	1.30	0.44	0.97	NOTE 16
-202LF																						NOTE 12
71292-003LF	80	62.15	51.17	55.27	57.87	63.30	49.53	65.36	66.50	66.40	32.68	41	40	80	57.91	57.82	28.88	1.83	1.83	0.72	1.52	NOTE 16
-203LF																						NOTE 12
71292-004LF	40	36.75	25.77	29.87	32.47	37.90	24.13	39.95	41.10	41.00	19.98	21	20	40	32.52	32.41	16.20	1.83	1.83	0.72	1.52	NOTE 16
-204LF																						NOTE 12

NOTES:

- 12. PLATING: CONTACT: 0,76µm (30µ") MIN GOLD IN CONTACT AREA, 2.54µm (100µ") - 5.08µm (200µ") TIN (LEAD-FREE) ON P.C. BOARD LEG, 1.27µm (50µ") MIN. NICKEL UNDERPLATE OVER ENTIRE TERMINAL
ESD CONTACT: 2.54 µm (100µ") -5.08µm (200µ") TIN PLATING (LEAD-FREE) WITH 1.27µm (50µ") NICKEL UNDERPLATE
- 13. THE HOUSING WILL WITHSTAND EXPOSURE TO 260°C PEAK TEMPERATURE FOR 10 SECONDS IN A CONVECTION, INFRA-RED OR VAPOR PHASE REFLOW OVEN.
- 14. THIS PRODUCT MEETS EUROPEAN UNION DIRECTIVES AND OTHER COUNTRY REGULATIONS AS DESCRIBED IN GS-22-008.
- 15. PART NUMBERS ENDING IN "LF" MEANS FOR NOTE 14 LEAD FREE IDENTIFICATION. P/N XXXXX-2XXLF IS EQUIVALENT TO PREVIOUS P/N XXXXX-2XX .
- 16. PLATING: CONTACT: 0,76µm (30µ") MIN GXT IN CONTACT AREA, 2.54µm (100µ") - 5.08µm (200µ") TIN (LEAD-FREE) ON P.C. BOARD LEG, 1.27µm (50µ") MIN. NICKEL UNDERPLATE OVER ENTIRE TERMINAL
ESD CONTACT: 2.54 µm (100µ") -5.08µm (200µ") TIN PLATING (LEAD-FREE) WITH 1.27µm (50µ") NICKEL UNDERPLATE

CONFIDENTIAL

mat'l. code				tolerances unless otherwise specified				CUSTOMER COPY		FCI www.fciconnect.com	
ltr	ecn no	dr	date	linear	.X ±.3	projection			title SCA2 PLUG CONNECTOR STRADDLE MOUNT		
S					.XX ±.13	MM					
				angles	.XXX ±.051	scale					
				dr	FUSSELMAN 9/22/95	1:1	product family	SCA-2	code	-	
				engr	J.DAVID 9/22/95		size	dwg no		sheet	
				chr	GL LOO 2/20/01		A	71292		4 of 4	
				appd	JOEY NG 2/20/01						
sheet index	revision sheet										

ACAD

PDM: Rev:S

cage code 22526

STATUS: Released

Printed Sep 14, 2009