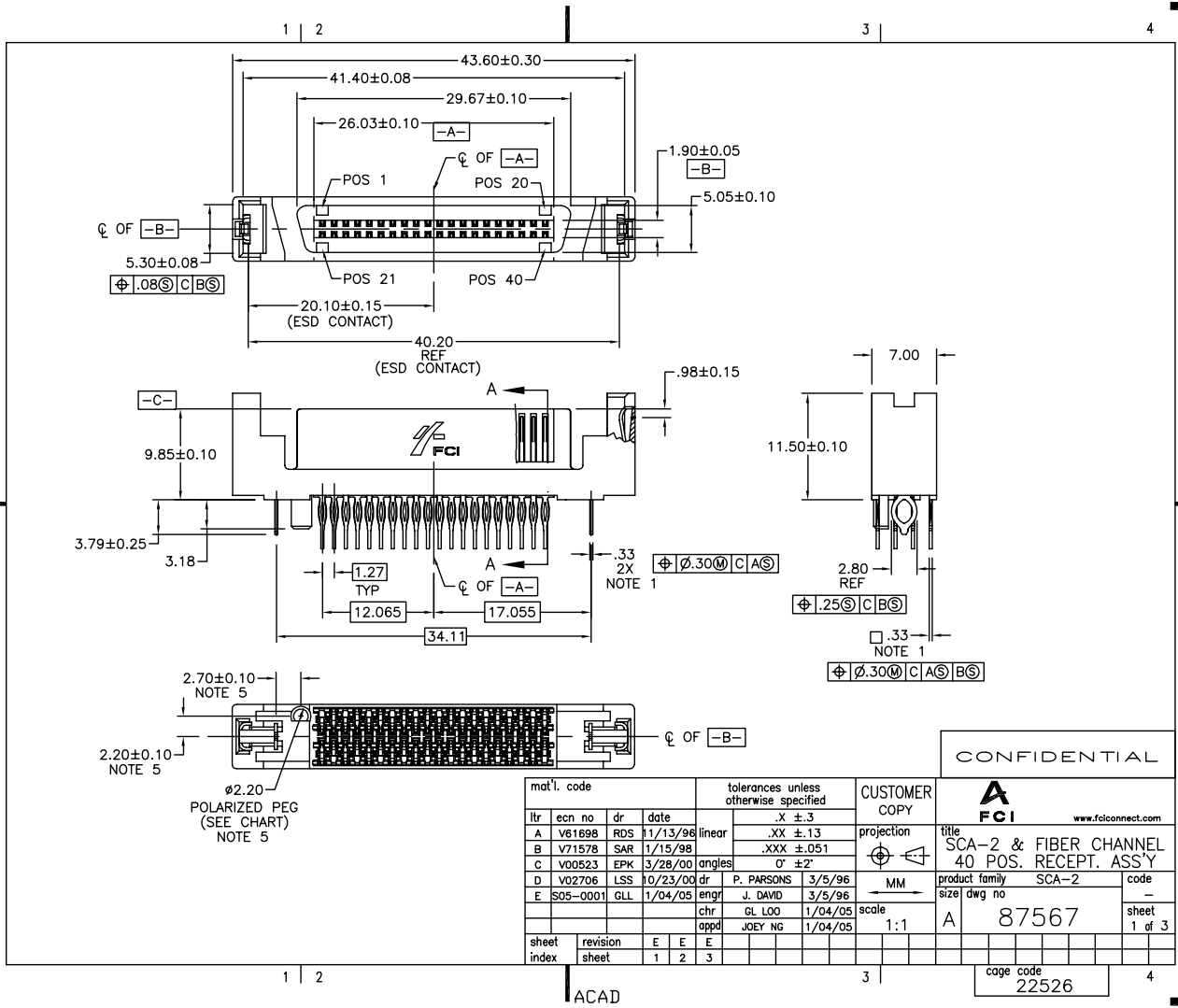


Tous droits strictement réservés. Reproduction ou communication à des tiers interdite sous quelque forme que ce soit sans autorisation écrite du propriétaire. Propriété de FCI. Droits de reproduction FCI.



All rights strictly reserved. Reproduction or issue to third parties in any form whatever is not permitted without written authority from the proprietor. Property of FCI. Copyright FCI.



CONFIDENTIAL

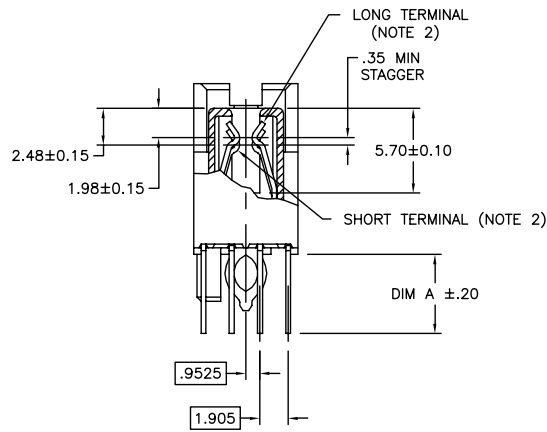
mat'l. code		tolerances unless otherwise specified		CUSTOMER COPY	www.fciconnect.com		
ltr	ecn no	dr	date	linear	projection	title	
A	V61698	RDS	11/13/96	.X ±.3		SCA-2 & FIBER CHANNEL 40 POS. RECEPT. ASS'Y	
B	V71578	SAR	1/15/96	.XX ±.13			
C	V00523	EPK	3/28/00	angles	0' ±2'	product family	
D	V02706	LSS	10/23/00	dr	P. PARSONS	3/5/96	code
E	S05-0001	GLL	1/04/05	enrg	J. DAVID	3/5/96	size
				chr	GL LOO	1/04/05	dwg no
				appd	JOEY NG	1/04/05	A
sheet index	revision sheet	E	E	E			scale
		1	2	3			1:1
							cage code
							22526

ACAD

Tous droits strictement réservés. Reproduction ou communication e des tiers Interète sous quelque forme que ce soit sans autorisation écrite du propriétaire. Propriete de c FCI. Droits de reproduction FCI.



All rights strictly reserved. Reproduction or issue to third parties in any form whatever is not permitted without written authority from the proprietor. Property of FCI. Copyright FCI.



SECTION A-A

CONFIDENTIAL

mat'l. code		tolerances unless otherwise specified		CUSTOMER COPY		www.fciconnect.com	
ltr	ecn no	dr	date	linear	projection	title	
E				.X ±.3		SCA-2 & FIBER CHANNEL	
				.XX ±.13		40 POS. RECEPT. ASS'Y	
				.XXX ±.051		product family SCA-2	
				angles	MM	size	code
				dr	scale	87567	sheet
				engr	2:1	2 of	
				chr			
				appd			
sheet index	revision sheet						

cage code 22526

ACAD

PDM: Rev:E

STATUS:Released

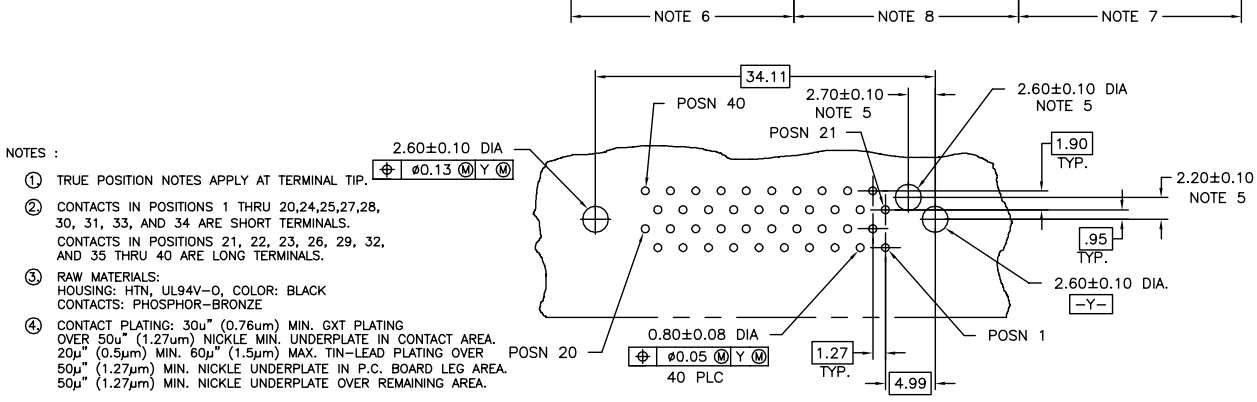
Printed: Mar 11, 2011

Tous droits strictement réservés. Reproduction ou communication à des tiers
Interdite sous quelque forme que ce soit sans autorisation écrite du propriétaire.
Property of FCI. Prohibits reproduction FCI.

FCI

All rights strictly reserved. Reproduction or issue to third parties in any
form whatsoever is not permitted without written authority from the proprietor.
Property of FCI. Copyright FCI.

PRODUCT NO.	"A" DIM	POLARIZATION PEG	PLATING	RECOMMENDED P.C. BOARD THICKNESS	PRODUCT NO.	PLATING	PRODUCT NO.	PLATING	PRODUCT NO.	PLATING
87567-001	3.79	YES	NOTE ④	2.36mm (0.093") AND 3.18mm (0.125")	87567-101	NOTE ⑥	87567-001LF	NOTE ⑧	87567-101LF	NOTE ⑦
-002	3.79	NO			-102		-002LF		-102LF	
-003	4.60	YES			-103		-003LF		-103LF	
87567-004	4.60	NO			87567-104		87567-004LF		87567-104LF	



- NOTES :
- TRUE POSITION NOTES APPLY AT TERMINAL TIP.
 - CONTACTS IN POSITIONS 1 THRU 20,24,25,27,28, 30, 31, 33, AND 34 ARE SHORT TERMINALS. CONTACTS IN POSITIONS 21, 22, 23, 26, 29, 32, AND 35 THRU 40 ARE LONG TERMINALS.
 - RAW MATERIALS:
HOUSING: HTN, UL94V-0, COLOR: BLACK
CONTACTS: PHOSPHOR-BRONZE
 - CONTACT PLATING: 30μ" (0.76μm) MIN. GXT PLATING OVER 50μ" (1.27μm) NICKLE UNDERPLATE IN CONTACT AREA. 20μ" (0.5μm) MIN. 60μ" (1.5μm) MAX. TIN-LEAD PLATING OVER 50μ" (1.27μm) MIN. NICKLE UNDERPLATE IN P.C. BOARD LEG AREA. 50μ" (1.27μm) MIN. NICKLE UNDERPLATE OVER REMAINING AREA.
 - DIMENSIONS DO NOT APPLY TO CONNECTOR STYLES WITHOUT POLARIZATION PEG. (SEE CHART)
 - CONTACT PLATING: 30μ" (0.76μm) MIN GOLD PLATING OVER 50μ" (1.27μm) NICKLE UNDERPLATE IN CONTACT AREA. 20μ" (0.5μm) MIN-60μ" (1.5μm) MAX TIN-LEAD PLATING OVER 50μ" (1.27μm) MIN. NICKLE UNDERPLATE IN P.C. BOARD LEG AREA. 50μ" (1.27μm) MIN. NICKLE UNDERPLATE OVER REMAINING AREA.
 - CONTACT PLATING: 30μ" (0.76μm) GOLD PLATING OVER 50μ" (1.27μm) NICKLE UNDERPLATE IN CONTACT AREA. 20μ" (0.5μm) - 60μ" (1.5μm) TIN PLATING OVER 50μ" (1.27μm) - 100μ" (2.54μm) NICKEL UNDERPLATE IN P.C. BOARD LEG AREA. 50μ" (1.27μm) NICKEL UNDERPLATE OVER REMAINING AREA.
 - CONTACT PLATING: 30μ" (0.76μm) GXT PLATING OVER 50μ" (1.27μm) NICKLE UNDERPLATE IN CONTACT AREA. 20μ" (0.5μm) - 60μ" (1.5μm) TIN PLATING OVER 50μ" (1.27μm) - 100μ" (2.54μm) NICKEL UNDERPLATE IN P.C. BOARD LEG AREA. 50μ" (1.27μm) NICKEL UNDERPLATE OVER REMAINING AREA.
 - THE HOUSING WILL WITHSTAND EXPOSURE TO 260°C PEAK TEMPERATURE FOR 10 SECONDS IN A CONVECTION, INFRA RED VAPOR PHASE REFLOW OVEN.
 - THIS PRODUCT MEETS EUROPEAN UNION DIRECTIVES AND OTHER COUNTRY REGULATIONS AS DESCRIBED IN GS-22-008.

CONFIDENTIAL

mat'l. code		tolerances unless otherwise specified		CUSTOMER COPY		www.fciconnect.com	
ltr	ecn no	dr	date	linear	.XX ±.13	projection	title SCA-2 & FIBER CHANNEL 40 POS. RECEPT. ASSY product family SCA-2 size 87567 code - sheet 3 of 3
E				angles	.XXX ±.051		
				dr	0° ±2°		
				enrg	P. PARSONS 3/5/96	scale	
				chr	J. DAVID 3/5/96	2:1	
				appd	GL LOO 1/04/05		
					JOEY NC 1/04/05		
sheet index	revision sheet						cage code 22526

ACAT