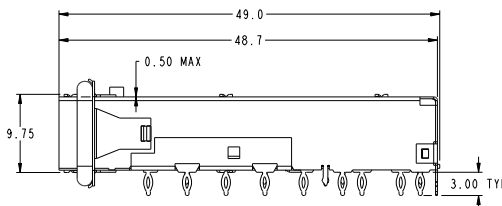
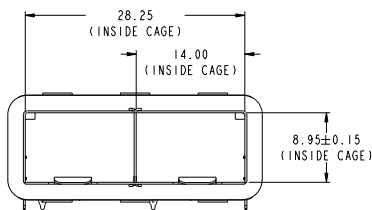
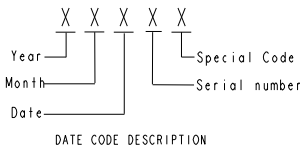
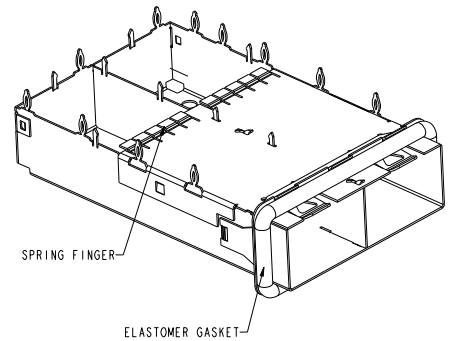
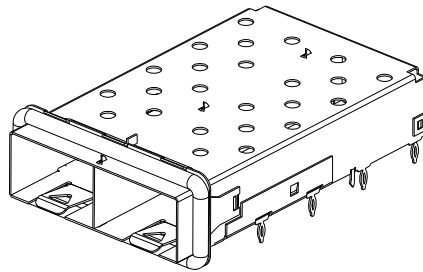
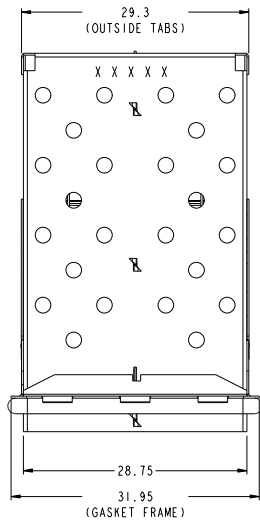


PRODUCT NUMBER	PACKAGING
10099101-011LF	TRAY



NOTES:

- MATERIAL:
CAGE BODY: COPPER ALLOY; PLATING : 1.27µm MIN NICKEL.
EMI GASKET: CONDUCTIVE ELASTOMER.
- PORTS ARE DESIGNED FOR SFP+ TRANSCEIVERS AND ARE COMPATIBLE WITH SFP TRANSCEIVERS.
- CONNECTOR PAD LAYOUT PER SFP+ MSA.
- PRODUCT SPECIFICATION: GS-12-616
- APPLICATION SPECIFICATION: GS-20-125
- PRODUCT MEETS EUROPEAN UNION DIRECTIVES AND OTHER COUNTRY REGULATIONS AS DESCRIBED IN GS-22-008.
- PADS AND VIAS GO TO CHASSIS GROUND.
- SPACING BETWEEN PORTS TO BE 14.25.
- HATCHED AREA DENOTES COMPONENT AND TRACE KEEP-OUT (EXCEPT CHASSIS GROUND).
- THIS AREA DENOTES COMPONENT KEEP-OUT (TRACES ALLOWED).
- PCB THICKNESS VARIATION MUST BE CONSIDERED WHEN DETERMINING BEZEL OPENING, SIZE AND LOCATION
- DATE CODE BE PRINTED ON PROPER SURFACE.

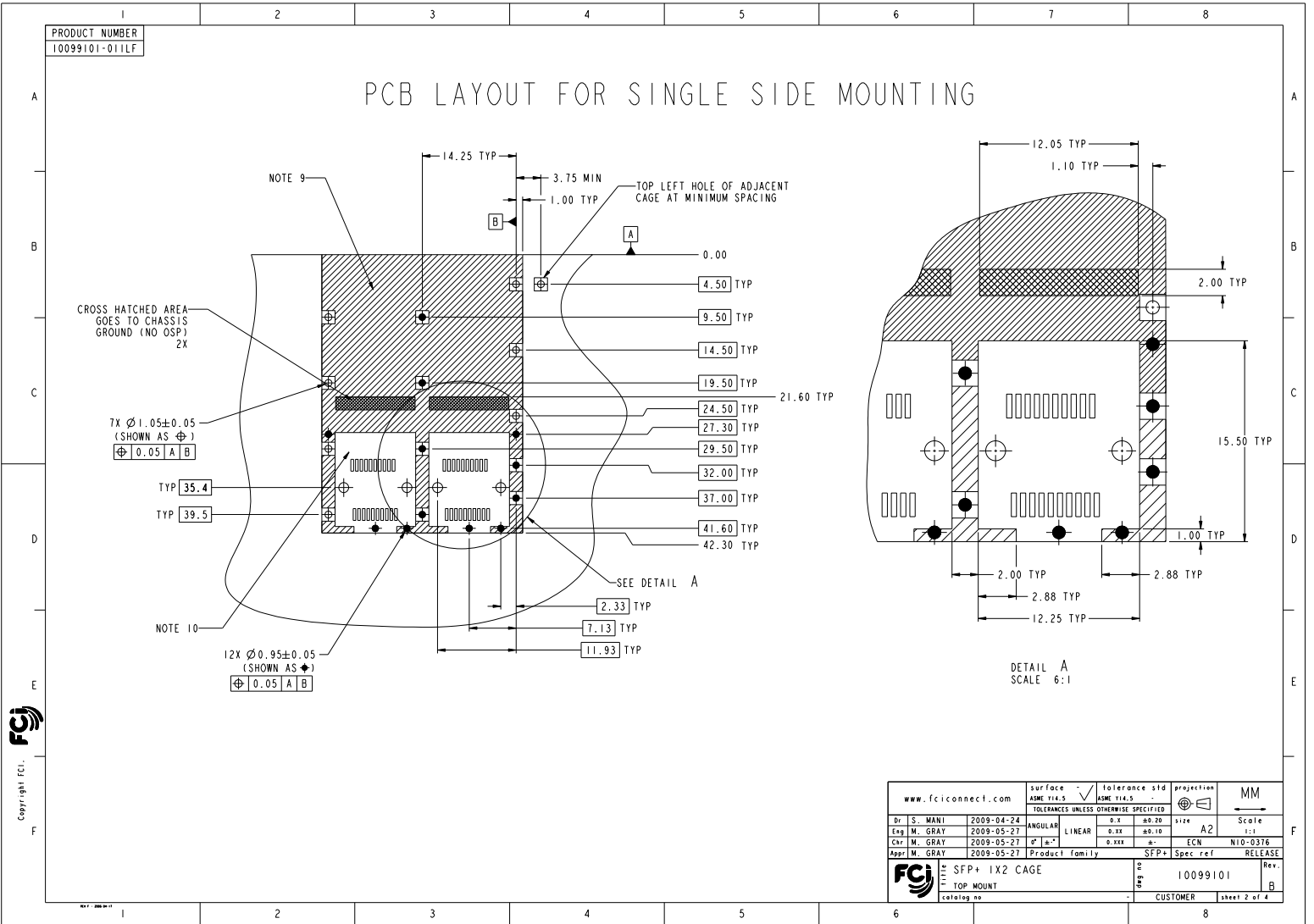
Copyright FCI

www.fciconnect.com		surface	tolerance	std	projection	MM					
		ASME Y14.5	ASME Y14.5								
		TOLERANCES UNLESS OTHERWISE SPECIFIED									
rev	rev no	dt	date	Dr. S. MANI	2009-04-24	ANGULAR	0.X	80.20	112°	A2	Scale
A	Y09-2442	SM	2009-11-03	Eng. M. GRAY	2009-05-27	LINEAR	0.1X	80.10			3:1
B	N10-0376	ANDY	2010-11-24	Chr. M. GRAY	2009-05-27	0" @ .1"	0.1XX	80"		ECN	N10-0376
				Appr. M. GRAY	2009-05-27	Product family	SFP+		Spec ref	RELEASE	Rev.
						SFP+ 1X2 CAGE		10099101		Rev.	
						TOP MOUNT		CUSTOMER		sheet 1 of 4	

PDM: Rev:B

STATUS:Released

Printed: Mar 22, 2011



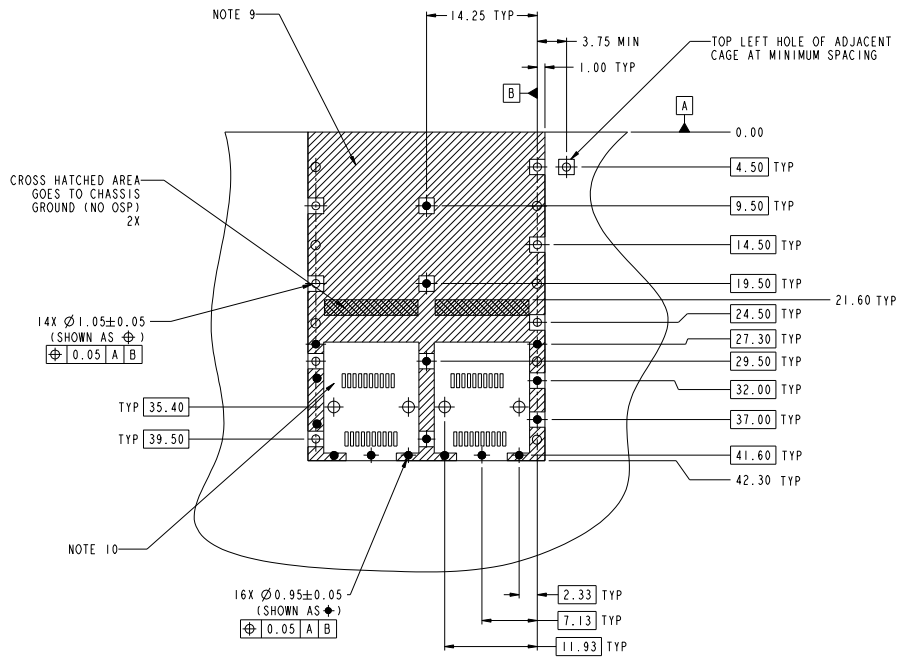
Copyright FCI

www.fciconnect.com		Surface	ASME Y14.5	tolerance std	ASME Y14.5	projection	MM
		TOLERANCES UNLESS OTHERWISE SPECIFIED					
Dr. S. MANI	2009-04-24	ANGULAR	0.X	0.20	112°	A2	Scale 1:1
Eng. M. GRAY	2009-05-27	LINEAR	0.1X	0.10			ECN N10-0376
Chr. M. GRAY	2009-05-27	2" > L"	0.1X	0"			RELEASE
Appr. M. GRAY	2009-05-27	Product family	SFP+		Spec ref		
FCI SFP+ 1X2 CAGE		REV	10099101		Rev.	B	
TOP MOUNT		CUSTOMER			sheet 2 of 4		

PDM: Rev:B **STATUS:Released** Printed: Mar 22, 2011

PRODUCT NUMBER
10099101-011LF

PCB LAYOUT FOR BELLY TO BELLY MOUNTING



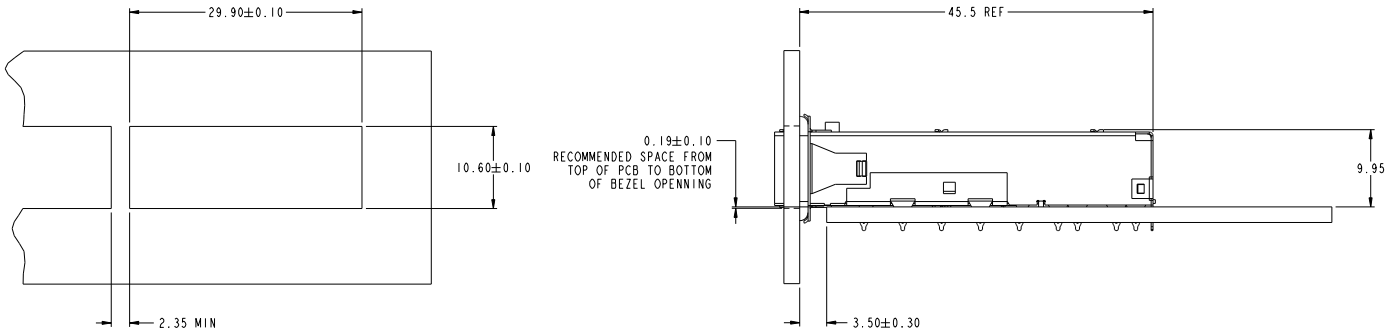
Copyright FCI

www.fciconnect.com		Surface	ASME Y14.5	✓	Tolerance	ASME Y14.5	ASME Y14.5	Projection	MM
		TOLERANCES UNLESS OTHERWISE SPECIFIED							
Dr. S. MANI	2009-04-24	ANGULAR	0.1	0.20	112°	A2	Scale	1:1	
Eng. M. GRAY	2009-05-27	LINEAR	0.1X	0.10	ECN	N10-0376			
Chr. M. GRAY	2009-05-27	2°	0.1X	0°	ECN	N10-0376			
Appr. M. GRAY	2009-05-27	Product family	SFP+	Spec ref	RELEASE				
FCI SFP+ 1X2 CAGE		Rev.	10099101						
TOP MOUNT		Rev.	B						
Customer no		CUSTOMER		sheet 3 of 4					

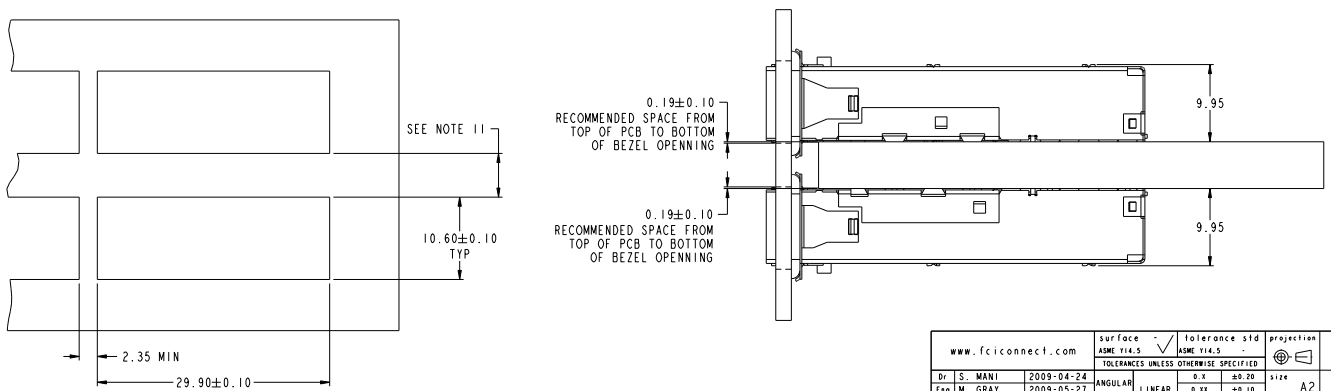
PDM: Rev:B STATUS:Released Printed: Mar 22, 2011

PRODUCT NUMBER
10099101-011LF

BEZEL AND BOARD POSITION DIMENSIONS FOR SINGLE SIDE MOUNTING



BEZEL AND BOARD POSITION DIMENSIONS FOR BELLY TO BELLY MOUNTING



Copyright FCI

www.fciconnect.com		Surface	Tolerance std		Projection	MM
		ASME Y14.5	ASME Y14.5			Scale
		TOLERANCES UNLESS OTHERWISE SPECIFIED				
Dr. S. MANI	2009-04-24	ANGULAR	0.X	00.20	1:1x	A2
Eng. M. GRAY	2009-05-27	LINEAR	0.1X	00.10		1:1
Chr. M. GRAY	2009-05-27	0" ±"	0.1XX	0"	FCN	N10-0376
Appr. M. GRAY	2009-05-27	Product family	SFP+	Spec ref	RELEASE	
	SFP+ 1X2 CAGE			10099101	Rev.	
	TOP MOUNT					
	Customer no			CUSTOMER	sheet 4 of 4	