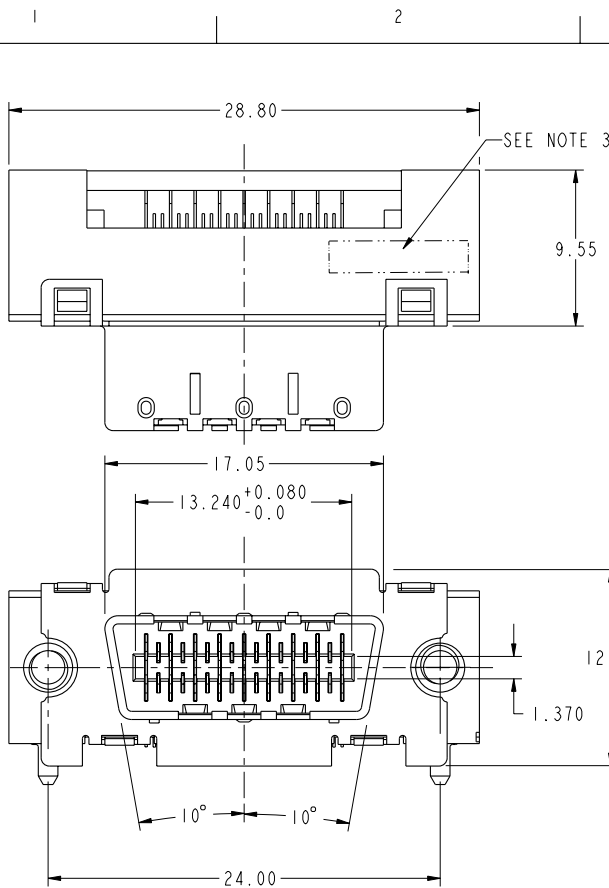
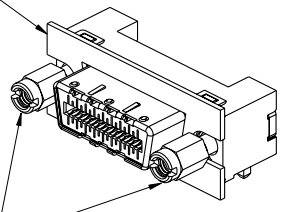




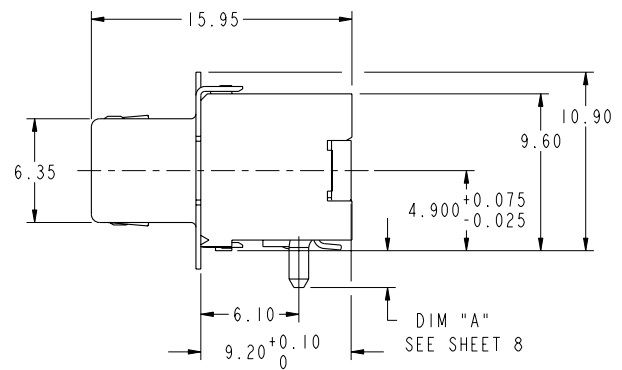
Copyright FCI.



AVAILABLE WITH OR WITHOUT EMI GASKET.
 FOAM GASKET P/N 10019396-001 CAN BE PURCHASED SEPARATELY.
 METAL GASKET P/N 10043517 MUST BE PURCHASED ALREADY ASSEMBLED.



P/N 10009634-001, 2X THREADED STANDOFFS SOLD SEPARATELY



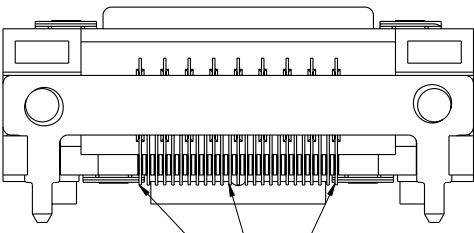
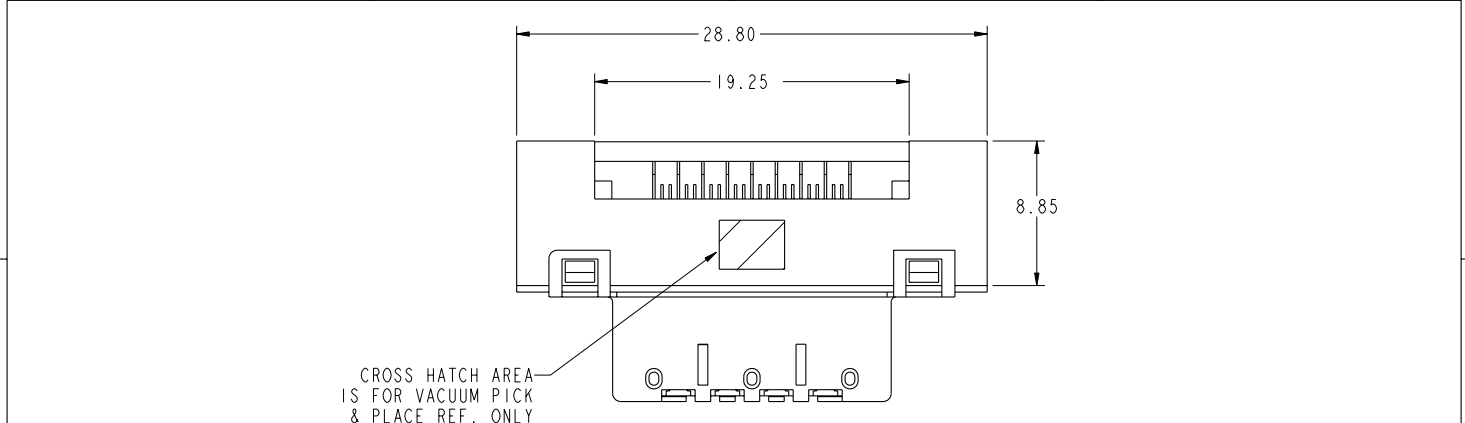
| rev | ecn no | dr | date |
|-----|----------|-----|------------|
| D | V04-0460 | DAI | 2004/06/08 |
| E | V04-0830 | TAB | 2004/08/18 |
| F | V04-1005 | DAI | 2004/10/06 |
| G | V05-0063 | TAB | 2005/02/14 |
| H | 105-0141 | HVN | 2005/08/12 |
| J | 06-0123 | HVN | 2006/07/26 |
| K | 08-0048 | RPK | 2008/03/28 |

| | | | | | |
|----------------------------|--|--|--------------------------|------------------|-----------|
| www.fciconnect.com | | surface 3.2 / ASME Y14.5 | tolerance std ASME Y14.5 | projection | MM |
| Dr G. PETERS 2003/08/13 | | ANGULAR | 0.X ±.30 | size A4 | Scale 3:1 |
| Eng D. BRANN 2003/08/13 | | LINEAR | 0.XX ±.10 | ECN 108-0048 | |
| Chr RAMESH P K 2008/03/27 | | 0° ±2° | 0.XXX ±.050 | Spec ref | |
| Appr RAMESH P K 2008/03/27 | | Product family EyeMax (Im) | | | |
| FCI | | 4X R/A THUMBSCREW RECPT ASSEMBLY, w/ 7 KEY SLOTS | | diag no 10009629 | Rev. K |
| catalog no | | CUSTOMER | | sheet 1 of 9 | |

REV F - 2004-04-17

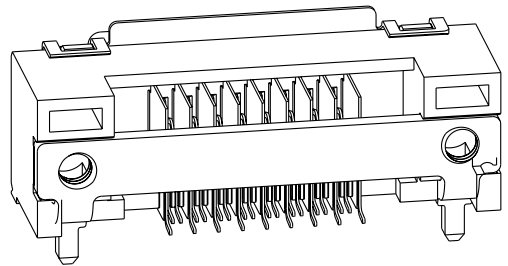


Copyright FCI.



0.13 D

COPLANARITY MEASUREMENT TO BE TAKEN AT THE BOTTOM MOST POINT ON CONTACT TAILS
COPLANARITY ZONE IS BELOW DATUM D.

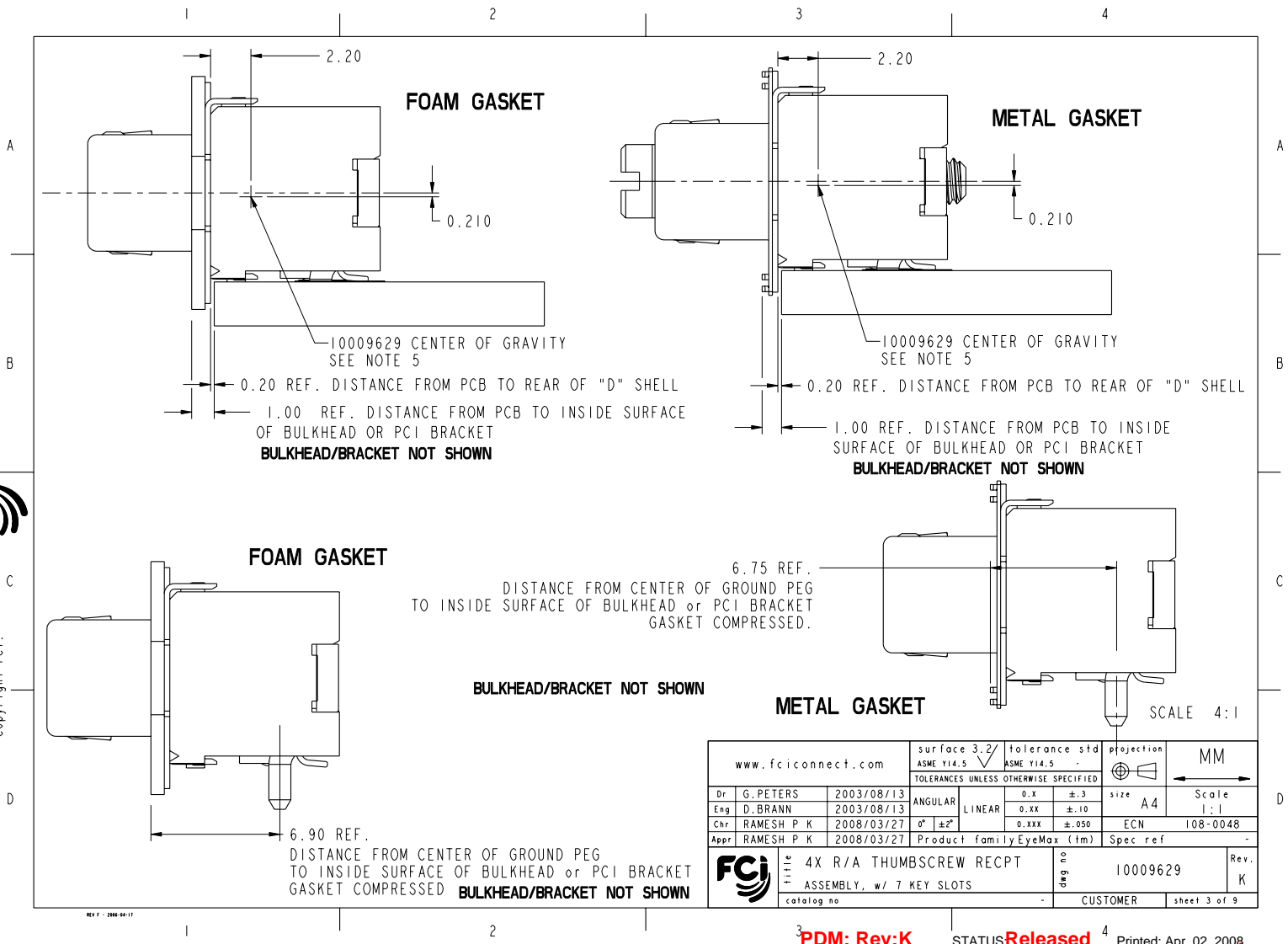


| | | | | |
|---------------------------------------|--|----------------------------|-----------------------------|------------------|
| www.fciconnect.com | | surface 3.2 ASME Y14.5 | tolerance std ASME Y14.5 | projection MM |
| TOLERANCES UNLESS OTHERWISE SPECIFIED | | ANGULAR | LINEAR | size A4 |
| Dr G. PETERS | 2003/08/13 | 0.X | ±.30 | Scale 3:1 |
| Eng D. BRANN | 2003/08/13 | 0.XX | ±.10 | ECN 108-0048 |
| Chr RAMESH P K | 2008/03/27 | 0° ±2° | 0.XXX ±.050 | Spec ref - |
| Appr RAMESH P K | 2008/03/27 | Product family EyeMax (Im) | | |
| | Title 4X R/A THUMBSCREW RECPT ASSEMBLY, w/ 7 KEY SLOTS | | dwg no 10009629 | Rev. K |
| catalog no | | CUSTOMER | | sheet 2 of 9 |

REV F - 2006-04-17



Copyright FCI.



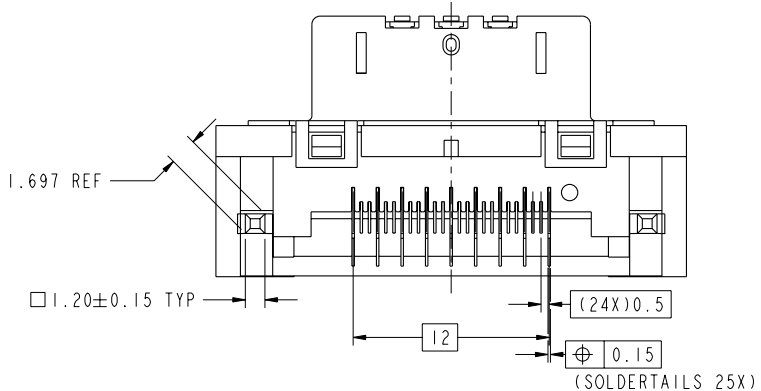
| | | | | | |
|--------------------|------------|--|--------------------------|-----------------|-------------------|
| www.fciconnect.com | | surface 3.2/ ASME Y14.5 | tolerance std ASME Y14.5 | projection | MM |
| | | TOLERANCES UNLESS OTHERWISE SPECIFIED | | | |
| Dr | G. PETERS | 2003/08/13 | ANGULAR | 0.X ±.3 | size A4 Scale 1:1 |
| Eng | D. BRANN | 2003/08/13 | LINEAR | 0.XX ±.10 | |
| Chr | RAMESH P K | 2008/03/27 | 0° ±2° | 0.XXX ±.050 | ECN 108-0048 |
| Appr | RAMESH P K | 2008/03/27 | Product family | EyeMax (Im) | Spec ref - |
| | | title 4X R/A THUMBSCREW RECPT ASSEMBLY, w/ 7 KEY SLOTS | | dwg no 10009629 | Rev. K |
| catalog no | | CUSTOMER | | sheet 3 of 9 | |

3 **PDM: Rev:K** STATUS **Released** 4 Printed: Apr 02, 2008

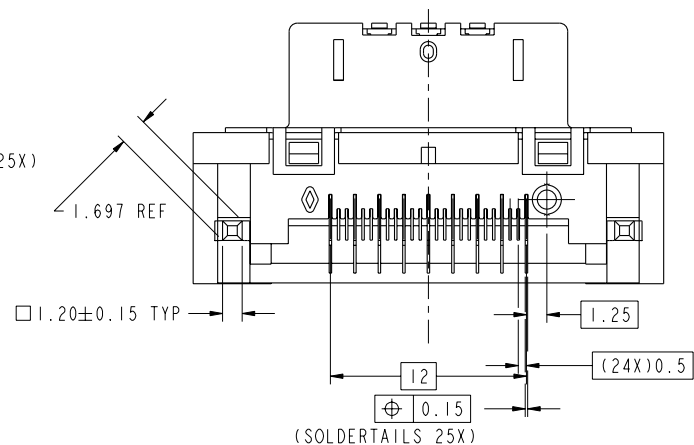


Copyright FCI.

REV 1 - 2006-03-17



10009629-1XX0XX PRODUCT WITHOUT PEGS

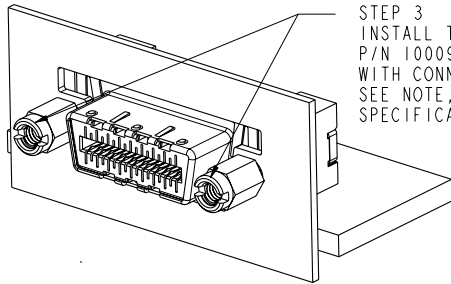


10009629-1XX1XX PRODUCT WITH PEGS

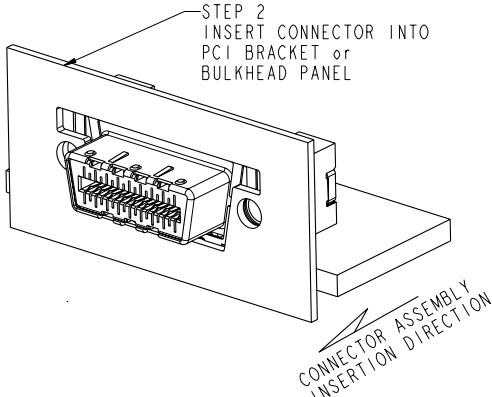
| | | | | |
|---------------------------------------|--|----------------------------|--|------------------|
| www.fciconnect.com | | surface 3.2 ASME Y14.5 | tolerance std ASME Y14.5 | projection MM |
| TOLERANCES UNLESS OTHERWISE SPECIFIED | | ANGULAR | LINEAR | size A4 |
| Dr G. PETERS | 2003/08/13 | 0° ± 2° | 0.X ± .3 0.XX ± .10 0.XXX ± .050 | Scale 3:1 |
| Eng D. BRANN | 2003/08/13 | | | ECN 108-0048 |
| Chr RAMESH P K | 2008/03/27 | | | Spec ref - |
| Appr RAMESH P K | 2008/03/27 | Product family EyeMax (Im) | | |
| | Title 4X R/A THUMBSCREW RECPT ASSEMBLY, w/ 7 KEY SLOTS | | dwg no 10009629 | Rev. K |
| catalog no | | CUSTOMER | | sheet 4 of 9 |



Copyright FCI.

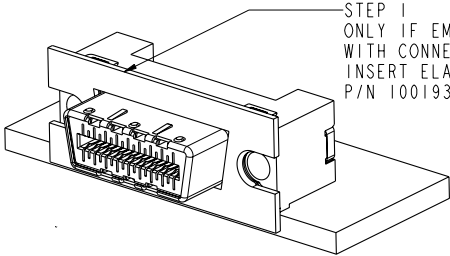


STEP 3
INSTALL THREADED STANDOFFS
P/N 10009634-001, NOT SUPPLIED
WITH CONNECTOR ASSEMBLY
SEE NOTE, SHEET 8, FOR TORQUE
SPECIFICATION.



STEP 2
INSERT CONNECTOR INTO
PCI BRACKET or
BULKHEAD PANEL

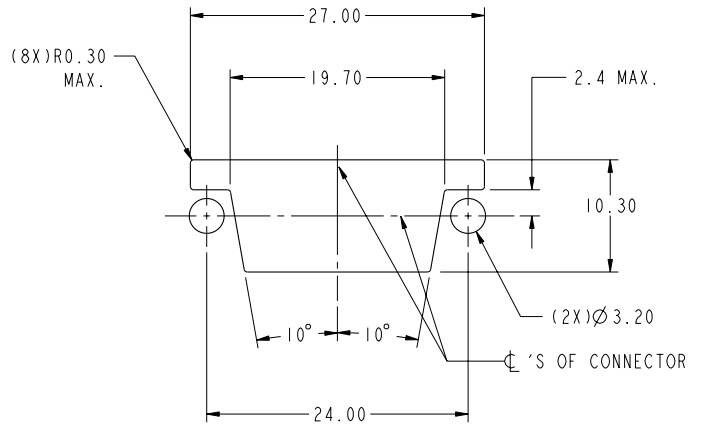
CONNECTOR ASSEMBLY
INSERTION DIRECTION



STEP 1
ONLY IF EMI GASKET NOT SUPPLIED
WITH CONNECTOR ASSEMBLY,
INSERT ELASTOMERIC EMI GASKET,
P/N 10019396-001.

CONNECTOR APPLICATION TO PCI BRACKET/PANEL

REV F - 2006-03-17



RECOMMENDED PANEL CUTOUT

| | | | | | |
|--------------------|------------|------------|---|-----------------------------|-------------------|
| www.fciconnect.com | | | surface 3.2/ ASME Y14.5 | tolerance std ASME Y14.5 | projection MM |
| | | | TOLERANCES UNLESS OTHERWISE SPECIFIED | | ← → |
| Dr | G. PETERS | 2003/08/13 | ANGULAR | 0.X ±.30 | size A4 Scale 1:1 |
| Eng | D. BRANN | 2003/08/13 | LINEAR | 0.XX ±.10 | ECN 108-0048 |
| Chr | RAMESH P K | 2008/03/27 | 0° ±2° | 0.XXX ±.050 | Spec ref - |
| Appr | RAMESH P K | 2008/03/27 | Product family EyeMax (Im) | | |
| FCI | | | 4X R/A THUMBSCREW RECPT ASSEMBLY, w/ 7 KEY SLOTS | | Rev. K |
| catalog no | | | - | | 10009629 |
| | | | CUSTOMER | | sheet 5 of 9 |

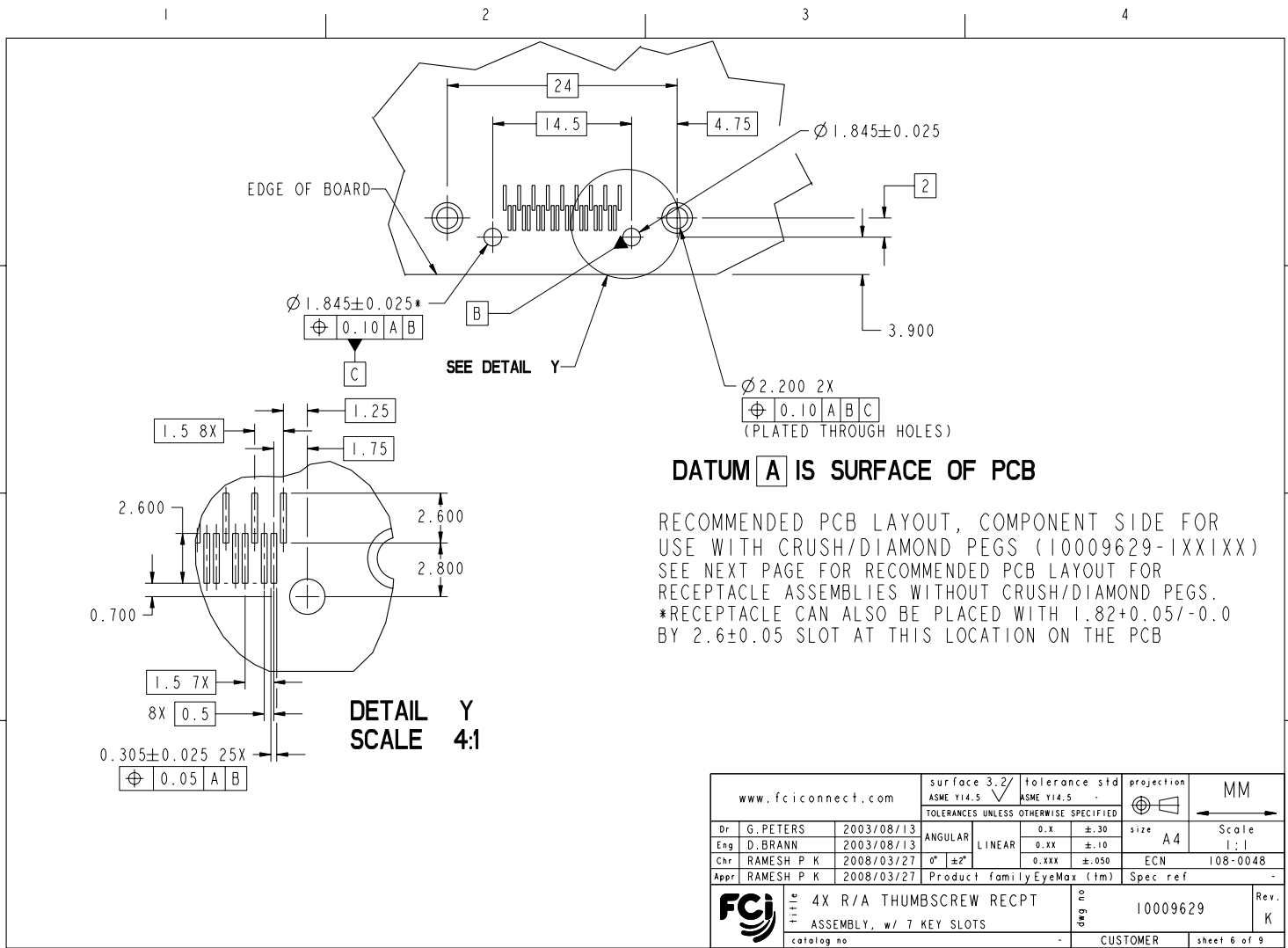
3 PDM: Rev:K

STATUS Released

4 Printed: Apr 02, 2008



Copyright FCI.

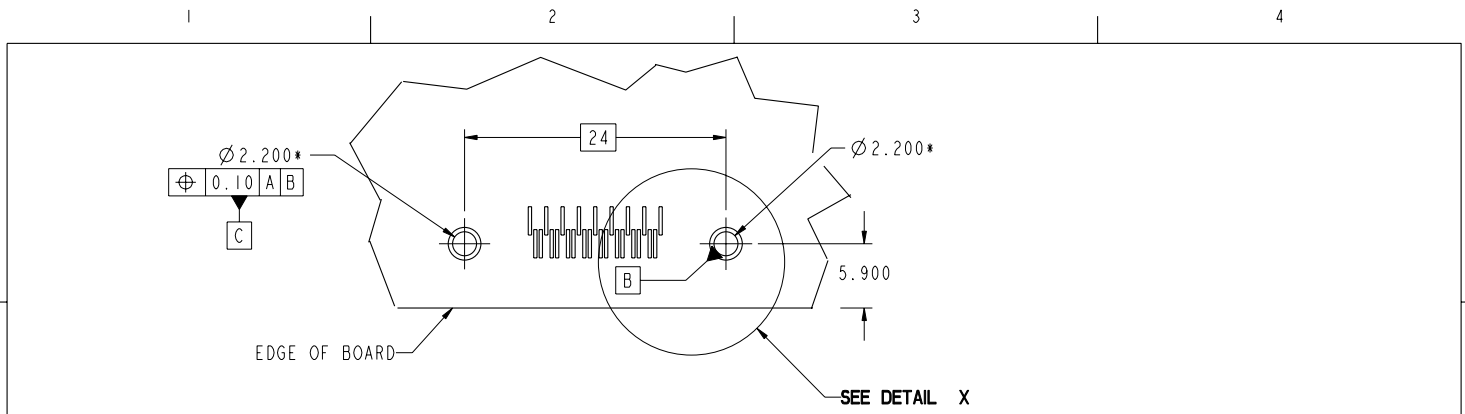


| | | | | |
|----------------------------|--|--|--------------------------------------|------------------|
| www.fciconnect.com | | surface 3.2/ ASME Y14.5 | tolerance std ASME Y14.5 | projection MM |
| Dr G. PETERS 2003/08/13 | | TOLERANCES UNLESS OTHERWISE SPECIFIED | | size A4 |
| Eng D. BRANN 2003/08/13 | | ANGULAR | LINEAR | Scale 1:1 |
| Chr RAMESH P K 2008/03/27 | | 0° ±2° | 0.X ±.30 0.XX ±.10 0.XXX ±.050 | ECN 108-0048 |
| Appr RAMESH P K 2008/03/27 | | Product family EyeMax (Im) | | Spec ref - |
| FCI | | Title 4X R/A THUMBSCREW RECPT ASSEMBLY, w/ 7 KEY SLOTS | | Rev. K |
| catalog no | | - | | 10009629 |
| | | CUSTOMER | | sheet 6 of 9 |

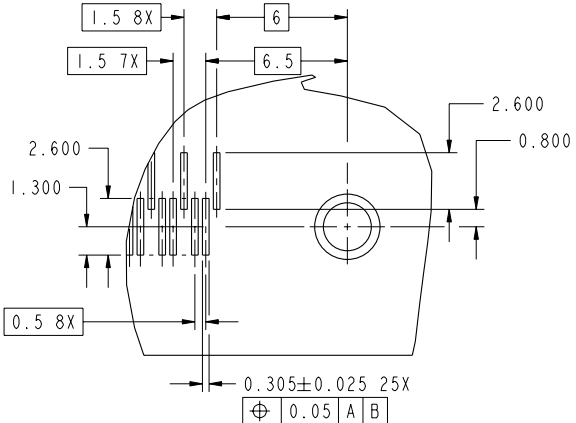
REV F - 2006-04-17



Copyright FCI.



DATUM **A** IS SURFACE OF PCB



DETAIL X
SCALE 4:1

RECOMMENDED PCB LAYOUT, COMPONENT SIDE FOR USE WITHOUT CRUSH/DIAMOND PEGS (10009629-1XX0XX)
SEE PREVIOUS PAGE FOR RECOMMENDED PCB LAYOUT FOR RECEPTACLE ASSEMBLIES WITH CRUSH/DIAMOND PEGS.
*PLATED THROUGH HOLES

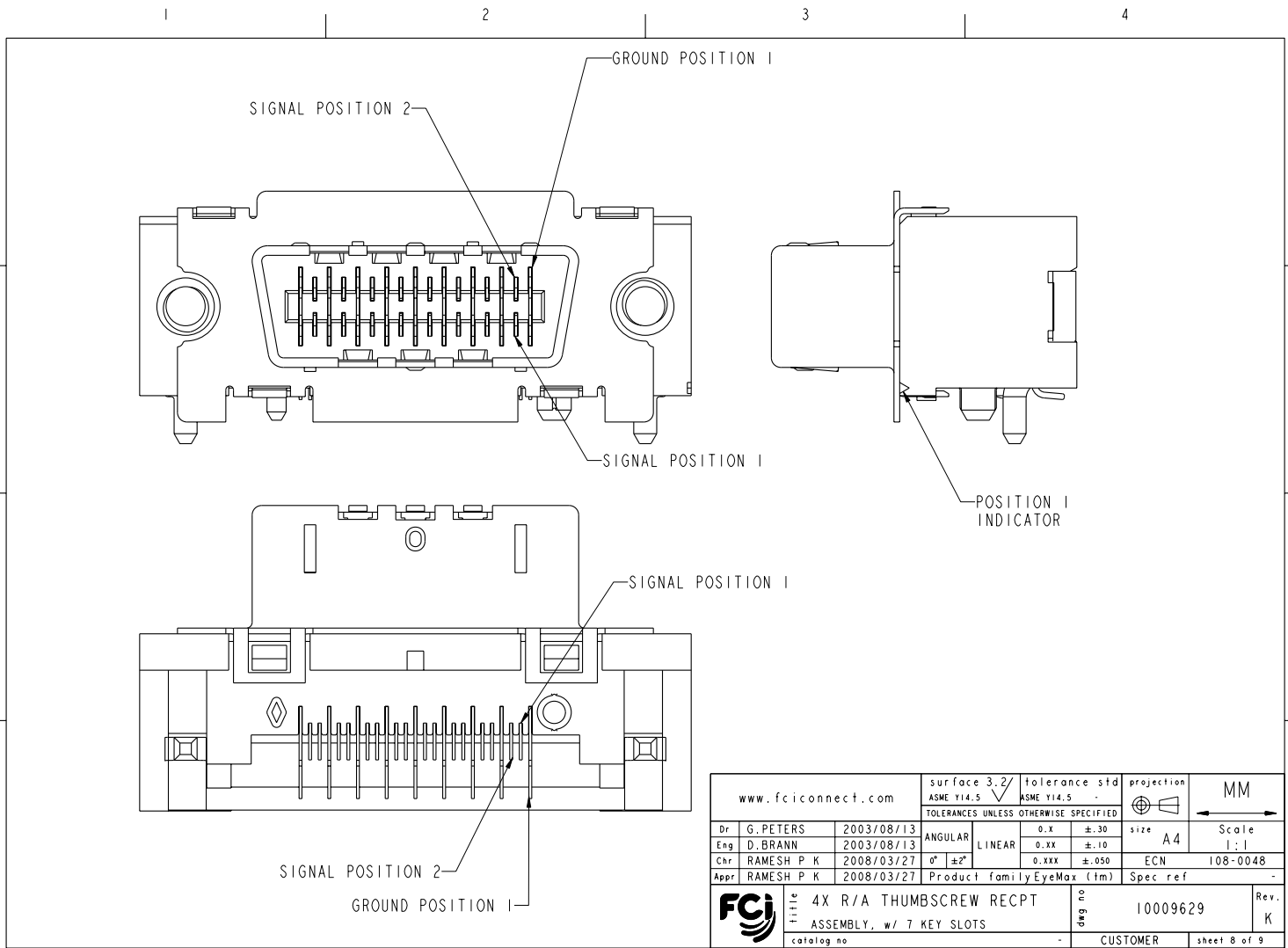
| | | | | |
|---------------------------------------|------------|--|-----------------------------|----------------------------|
| www.fciconnect.com | | surface 3.2 ASME Y14.5 | tolerance std ASME Y14.5 | projection MM |
| TOLERANCES UNLESS OTHERWISE SPECIFIED | | ANGULAR | LINEAR | size A4 |
| Dr | G. PETERS | 2003/08/13 | 0.X ±.30 | Scale 1:1 |
| Eng | D. BRANN | 2003/08/13 | 0.XX ±.10 | ECN 108-0048 |
| Chr | RAMESH P K | 2008/03/27 | 0° ±2° | Product family EyeMax (Im) |
| Appr | RAMESH P K | 2008/03/27 | 0.XXX ±.050 | Spec ref - |
| FCI | | Title 4X R/A THUMBSCREW RECPT ASSEMBLY, w/ 7 KEY SLOTS | | Rev. K |
| catalog no | | - | | sheet 7 of 9 |
| - | | - | | customer |

REV 1 - 2006-04-17



Copyright FCI.

REV 1 - 2006-03-17



| | | | | |
|---------------------------------------|------------|--|-----------------------------|------------------|
| www.fciconnect.com | | surface 3.2 ASME Y14.5 | tolerance std ASME Y14.5 | projection MM |
| TOLERANCES UNLESS OTHERWISE SPECIFIED | | ANGULAR | LINEAR | size A4 |
| Dr | G. PETERS | 2003/08/13 | 0.X ±.30 | Scale 1:1 |
| Eng | D. BRANN | 2003/08/13 | 0.XX ±.10 | ECN 108-0048 |
| Chr | RAMESH P K | 2008/03/27 | 0°. ±2° | 0.XXX ±.050 |
| Appr | RAMESH P K | 2008/03/27 | Product family EyeMax (Im) | Spec ref - |
| FCI | | 4X R/A THUMBSCREW RECPT ASSEMBLY, w/ 7 KEY SLOTS | | Rev. K |
| catalog no | | - | | 10009629 |
| | | CUSTOMER | | sheet 8 of 9 |

3 PDM: Rev:K STATUS Released 4 Printed: Apr 02, 2008

PRODUCT NUMBER
10009629-1XXXXX

10009629-1XXXXXXYY

- SOLDERTAIL PLATING
BLANK-TIN-LEAD
LF-LEAD FREE (SEE NOTE 2)
- KEYING OPTIONS
0-NONE
- PACKAGING
1-TAPE & REEL
2-TRAY
3-TAPE & REEL WITH THREADED STAND-OFFS INCLUDED
(PACKAGED SEPERATELY). 2 PER CONNECTOR.
4-TRAY WITH THREADED STAND-OFFS INCLUDED
(PACKAGED SEPERATELY). 2 PER CONNECTOR.
- PEGS
0-NONE
1-CRUSH/DIAMOND PEGS
- PCB THICKNESS
1-1.6mm
2-2.4mm
3-4.0mm
- EMI GASKET
0-WITH FOAM GASKET
1-WITHOUT GASKET
2-WITH METAL GASKET (NOT TOOLED)
- PLATING
GOLD OVER NICKEL IN CONTACT AREA

CONNECTOR NOTES:

- ① HOUSING MATERIAL: UL94 V-0 LCP RESIN.
SIGNAL PIN MATERIAL: COPPER ALLOY.
GROUND CONTACT MATERIAL: COPPER ALLOY.
- ② PLATING: LEAD FREE SOLDER TAILS 2 μ m (80 μ in) MIN MATTE TIN
OVER 1.27 μ m (50 μ in) MIN NICKEL UNDERPLATE.
- ③ P/N AND DATE CODE TO APPEAR
ON THIS SURFACE.
4. PRODUCT SPECIFICATION GS-12-209.
APPLICATION SPECIFICATION GS-20-025.
5. CONNECTOR WEIGHT = 5.465 grams
6. PACKAGING SPECIFICATION GS-14-794. PACKAGING OF LEAD FREE
PRODUCTS MEETS LABELING AND PACKAGING SPECIFICATION GS-14-920.
7. MAXIMUM PANEL THICKNESS 1.70mm
- ⑧ MAXIMUM TORQUE 0.45 N-m (4.0 lbf-in)

PCB NOTES:

9. ALL DIMENSIONS ARE BASIC UNLESS OTHERWISE
SPECIFIED.
10. ALL HOLE DIAMETERS ARE FINISHED HOLE SIZE
11. MATES WITH EYEMAX[®] PLUG 58443 (WITHOUT PCB), 58638
(WITH UNEQUALIZED PCB) OR 10026692 (WITH EQUALIZED PCB).
12. LEAD FREE PRODUCTS MEET EUROPEAN UNION DIRECTIVES AND
OTHER COUNTRY REGULATIONS AS DESCRIBED IN GS-22-008.
13. THE HOUSING WILL WITHSTAND EXPOSURE TO 260°C PEAK TEMPERATURE
FOR 15 SECONDS IN A CONVECTION, INFRARED OR VAPOR PHASE REFLOW
OVEN.

| PRODUCT NUMBER | BOARD THICKNESS | DIM A |
|-----------------|-----------------|-------|
| 10009629-1X1XXX | 1.6mm | 2.3mm |
| 10009629-1X2XXX | 2.4mm | 3.1mm |
| 10009629-1X3XXX | 4.0mm | 4.7mm |

| | | | | |
|--------------------|------------|---|-----------------------------|------------------|
| www.fciconnect.com | | surface 3.2/ ASME Y14.5 | tolerance std ASME Y14.5 | projection MM |
| | | TOLERANCES UNLESS OTHERWISE SPECIFIED | | |
| Dr | G. PETERS | 2003/08/13 | ANGULAR | 0.X ±.30 |
| Eng | D. BRANN | 2003/08/13 | LINEAR | 0.XX ±.10 |
| Chr | RAMESH P K | 2008/03/27 | 0° ±2° | 0.XXX ±.050 |
| Appr | RAMESH P K | 2008/03/27 | Product family | EyeMax (Im) |
| | | Spec ref | | 108-0048 |
| FCI | | 4X R/A THUMBSCREW RECPT ASSEMBLY, w/ 7 KEY SLOTS | | Rev. K |
| catalog no | | - | | sheet 9 of 9 |



Copyright FCI.

REV F - 2006-04-17

3 PDM: Rev:K

4 STATUS Released

Printed: Apr 02, 2008