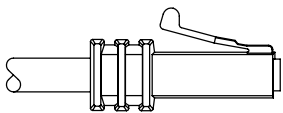
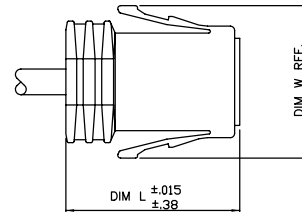
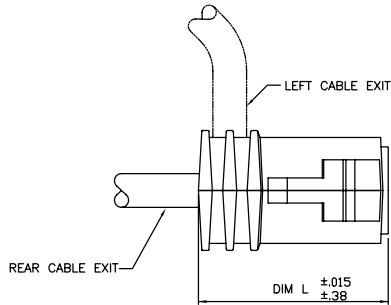
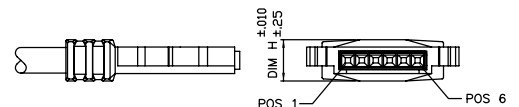
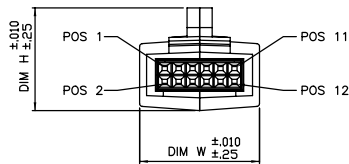


PRODUCT NO.  
SEE SHT. 2

SIZE	DIM H	DIM L	DIM W
1 X 4	.300/7.62	1.291/32.79	_____
1 X 6	.300/7.62	1.291/32.79	_____
1 X 8	.300/7.62	1.291/32.79	_____
1 X 10	.300/7.62	1.291/32.79	_____
2 X 3	.705/17.91	1.267/32.18	.560/14.22
2 X 4	.705/17.91	1.267/32.18	.660/16.76
2 X 6	.735/18.67	1.365/34.67	.860/21.84
2 X 8	.735/18.67	1.365/34.67	1.060/26.92
2 X 10	.735/18.67	1.365/34.67	1.260/32.00



DOUBLE ROW PLUG ASSEMBLY



SINGLE ROW PLUG ASSEMBLY

rev	ecn no	dr	date
S	N10-0425	KW	12/14/10
H	V03-0798	HTB	7/16/03
N	M05-0062	ERE	4/01/05
P	M06-0151	MHT	4/10/06
R	M06-0365	AGS	9/21/06

www.fciconnect.com		surface ISO 1302	tolerance std ISO 406/ISO 1101	projection A4	INCH/MM
Dr D.INGRAM 5/13/96		ANGULAR	0.XX/0.X	±0.01/0.3	Scale 1:1
Eng M.SMYK 5/13/96		LINEAR	0.XXX/0.XXX	±0.005/0.13	ECN N10-0425
Chr M.SMYK 5/13/96		0° ±2°	0.XXXXX/0.XXXX	±0.0020/0.005	Spec ref
Appr M.SMYK 5/13/96		Product family LATCH-N-LOK			
		<b>title</b> LATCH-N-LOK CONNECTOR KIT		<b>part no</b> 91481	
<b>catalog no</b>		<b>customer copy</b>		<b>sheet 1 of 5</b>	

REV 7 - 2004-07

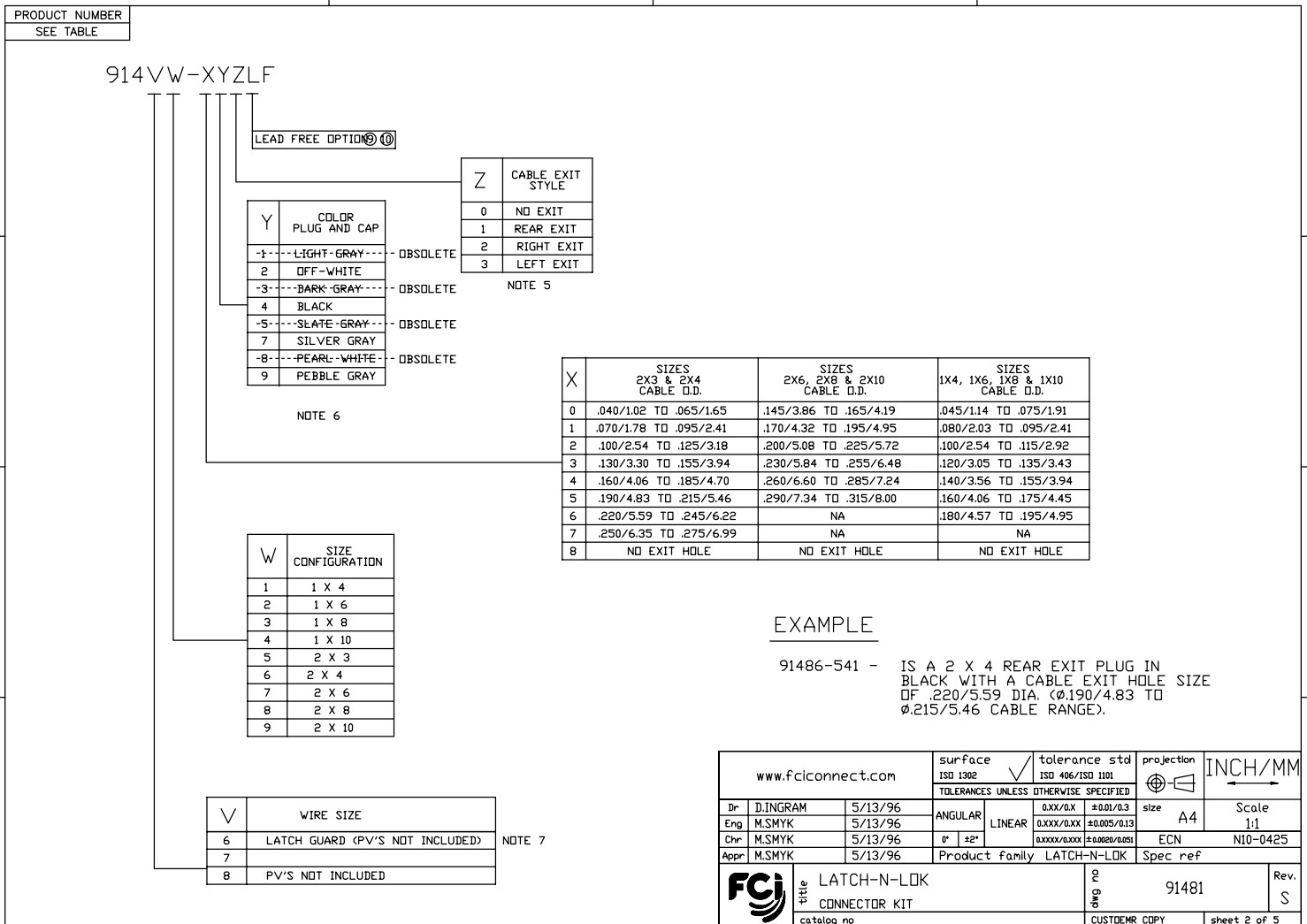
PDM: Rev:S

STATUS:Released

Printed: Dec 16, 2010

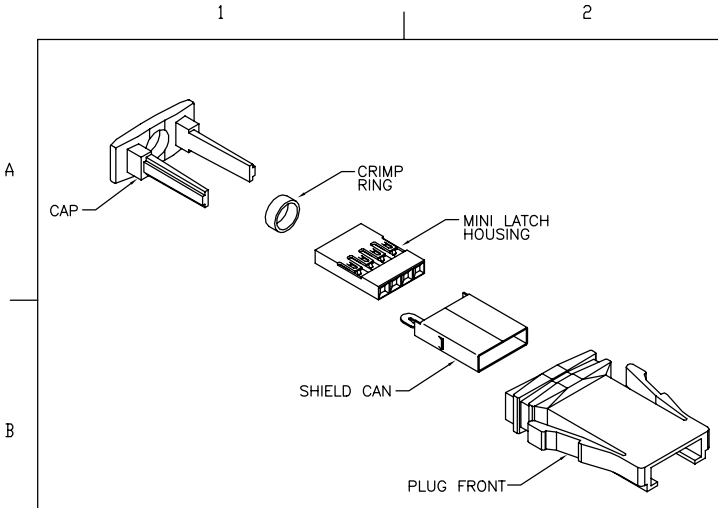


Copyright FCI.

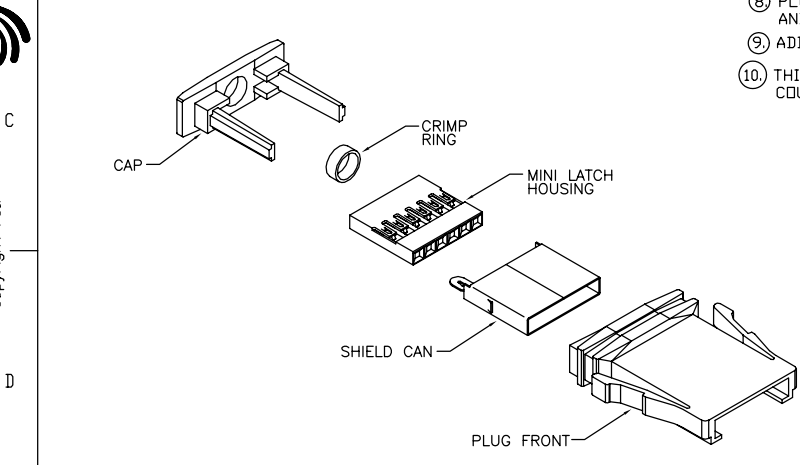


www.fciconnect.com		surface ISO 1302	tolerance std ISO 406/ISO 1101	projection INCH/MM
TOLERANCES UNLESS OTHERWISE SPECIFIED		ANGULAR	LINEAR	size A4
Dr	D.INGRAM	5/13/96	0.XX/0.X	±0.01/0.3
Eng	M.SMYK	5/13/96	0.XXX/0.XXX	±0.005/0.13
Chr	M.SMYK	5/13/96	0.XXXX/0.XXXX	±0.0020/0.05
Appr	M.SMYK	5/13/96	Product family LATCH-N-LOK Spec ref	
FCI title LATCH-N-LOK		91481		Rev. S
catalog no		CUSTOMER COPY		sheet 2 of 5

REV 7 - 2004-07




THE DIAGRAM FOR 91481




THE DIAGRAM FOR 91482

NOTES:

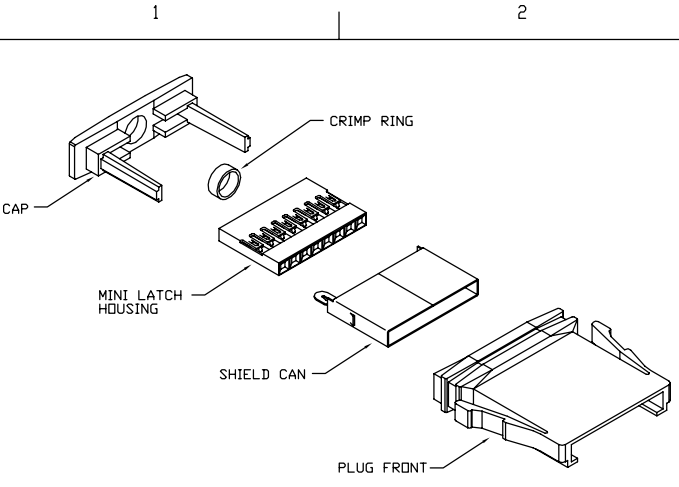
1. EACH KIT CONTAINS ONE EACH OF THE FOLLOWING COMPONENTS:  
 PLUG FRONT NOTE 8  
 CAP  
 MINI-LATCH HOUSING  
 SHIELD CAN  
 CRIMP RING
2. COMPONENTS ARE BULK PACKAGE WITH 100 PC OF A COMPONENT PER BAG. PV'S MUST BE ORDERED SEPARATELY.
3. MATERIALS USED: PLUGS AND CAPS ARE MOLDED IN POLYCARBONATE. THE MINI-LATCH HOUSING IS MOLDED IN NYLON, COLOR IS BLACK. THE CRIMP RING IS 304 STAINLESS STEEL, 1/2 HARD. THE SHIELD CAN IS 1/2 HARD BRASS, PLATED WITH 100-150 $\mu$ "/2.54-4.06 $\mu$  OF TIN.
4. PLUGS, CAPS, MINI-LATCH HOUSING AND SHIELD CANS ARE ALL U.L. RECOGNIZED AND CSA APPROVED COMPONENTS.
- ⑤ SINGLE ROW CONNECTORS WITH REAR CABLE EXITS ARE CONSIDERED STANDARD PRODUCTS. SINGLE ROW CONNECTORS WITH SIDE CABLE EXITS ARE 'CUSTOMER SPECIALS' AND INCLUDE A NYLON TIE WRAP REPLACING THE CRIMP RING (NORMAL CORD RETENTION WILL BE REDUCED AS A RESULT).
- ⑥ PLUG AND CAP COLORS LISTED ARE LOW GLOSS FINISH.
- ⑦ LATCH GUARD TOOLED IN 2 X 4 SIZE ONLY. THESE KITS DO NOT INCLUDE PV TERMINALS.
- ⑧ PLUG TOOLING WITH NO EXIT HOLE AVAILABLE IN 2 X 3, 2 X 4, AND 2 X 6 SIZES ONLY.
- ⑨ ADD LF SUFFIX AT THE END OF PART NUMBER FOR LEAD FREE OPTION.
- ⑩ THIS PRODUCT MEETS EUROPEAN UNION DIRECTIVES AND OTHER COUNTRY REGULATION AS DESCRIBED IN GS-22-008.

Copyright FCI.  


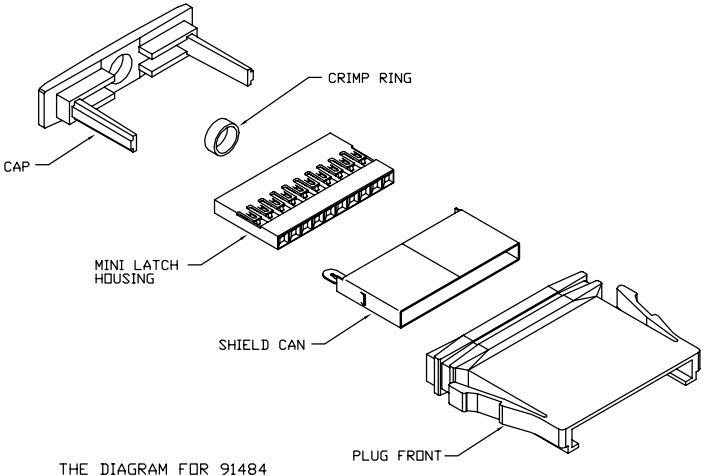
www.fciconnect.com		surface ISD 1302	tolerance std ISD 406/ISD 1101	projection INCH/MM
		TOLERANCES UNLESS OTHERWISE SPECIFIED		
Dr	D.INGRAM	5/13/96	ANGULAR	LINEAR
Eng	M.SMYK	5/13/96	0°	±2°
Chr	M.SMYK	5/13/96	0.0XX/0.0XX	±0.01/0.3
Appr	M.SMYK	5/13/96	0.0000/0.0000	±0.005/0.13
		Product family	LATCH-N-LOK	Spec ref
		title LATCH-N-LOK CONNECTOR KIT		size A4 scale 1:1
catalog no		CUSTOMER COPY		91481 sheet 3 of 5



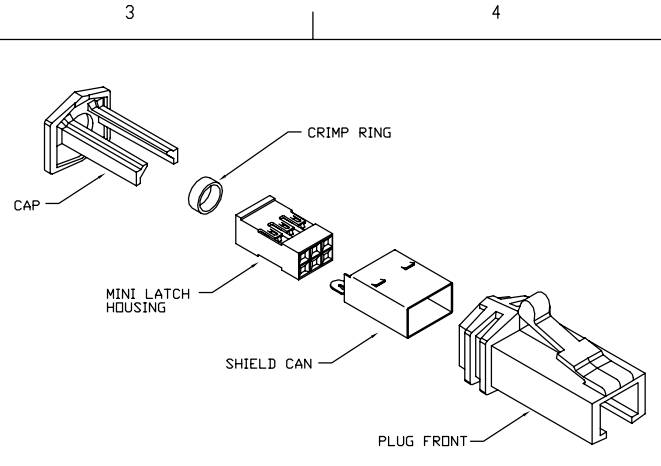
Copyright FCI.



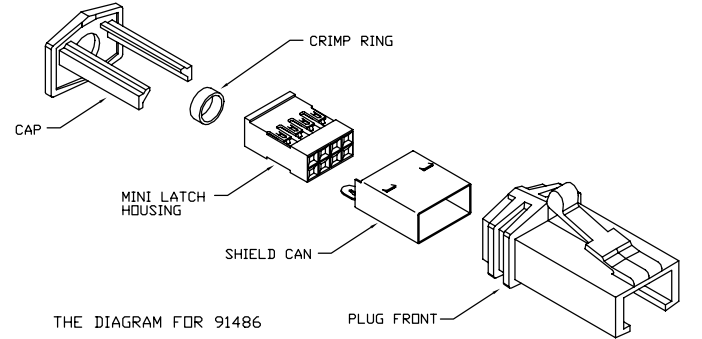
THE DIAGRAM FOR 91483



THE DIAGRAM FOR 91484



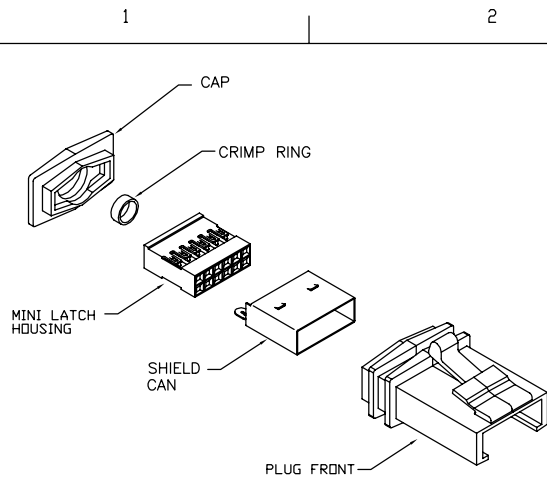
THE DIAGRAM FOR 91485



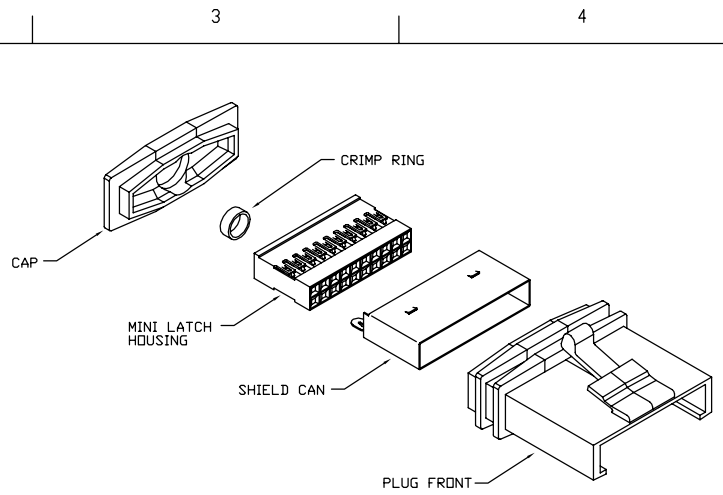
THE DIAGRAM FOR 91486

www.fciconnect.com		surface	tolerance std	projection	INCH/MM	
		ISO 1302	ISO 406/ISO 1101			
		TOLERANCES UNLESS OTHERWISE SPECIFIED				
Dr	D.INGRAM	5/13/96	ANGULAR	LINEAR	0.0XX/0.X	±0.01/0.3
Eng	M.SMYK	5/13/96			0.0XXX/0.0XX	±0.005/0.13
Chr	M.SMYK	5/13/96	0° ±2°		0.0000/0.0000	±0.0020/0.05
Appr	M.SMYK	5/13/96	Product family		LATCH-N-LOK	Spec ref
		title		91481		Rev. S
		LATCH-N-LOK		CUSTOMR COPY		sheet 4 of 5
		CONNECTOR KIT				
		catalog no				

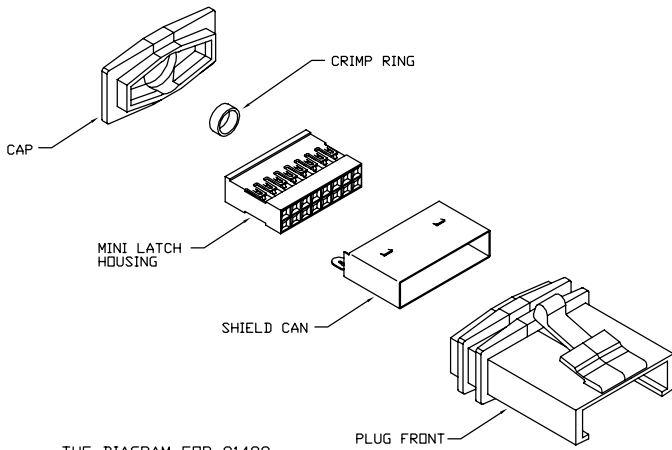
3 PDM: Rev:S STATUS:Released 4 Printed: Dec 16, 2010



THE DIAGRAM FOR 91487



THE DIAGRAM FOR 91489



THE DIAGRAM FOR 91488

www.fciconnect.com		surface ISO 1302	tolerance std ISO 406/ISO 1101	projection INCH/MM
		TOLERANCES UNLESS OTHERWISE SPECIFIED		
Dr	D.INGRAM	5/13/96	ANGULAR	LINEAR
Eng	M.SMYK	5/13/96	0.0XX/0.X	±0.01/0.3
Chr	M.SMYK	5/13/96	0.XXX/0.XXX	±0.005/0.13
Appr	M.SMYK	5/13/96	0.XXXX/0.XXXX	±0.0020/0.05
		0°	±2°	
		Product family		LATCH-N-LOK
		Spec ref		
FCJ		title		LATCH-N-LOK
		connector kit		91481
		catalog no		Rev. S
		CUSTOMER COPY		sheet 5 of 5

3 PDM: Rev:S

STATUS: Released

4 Printed: Dec 16, 2010



Copyright FCJ

REV 7 - 2004-07