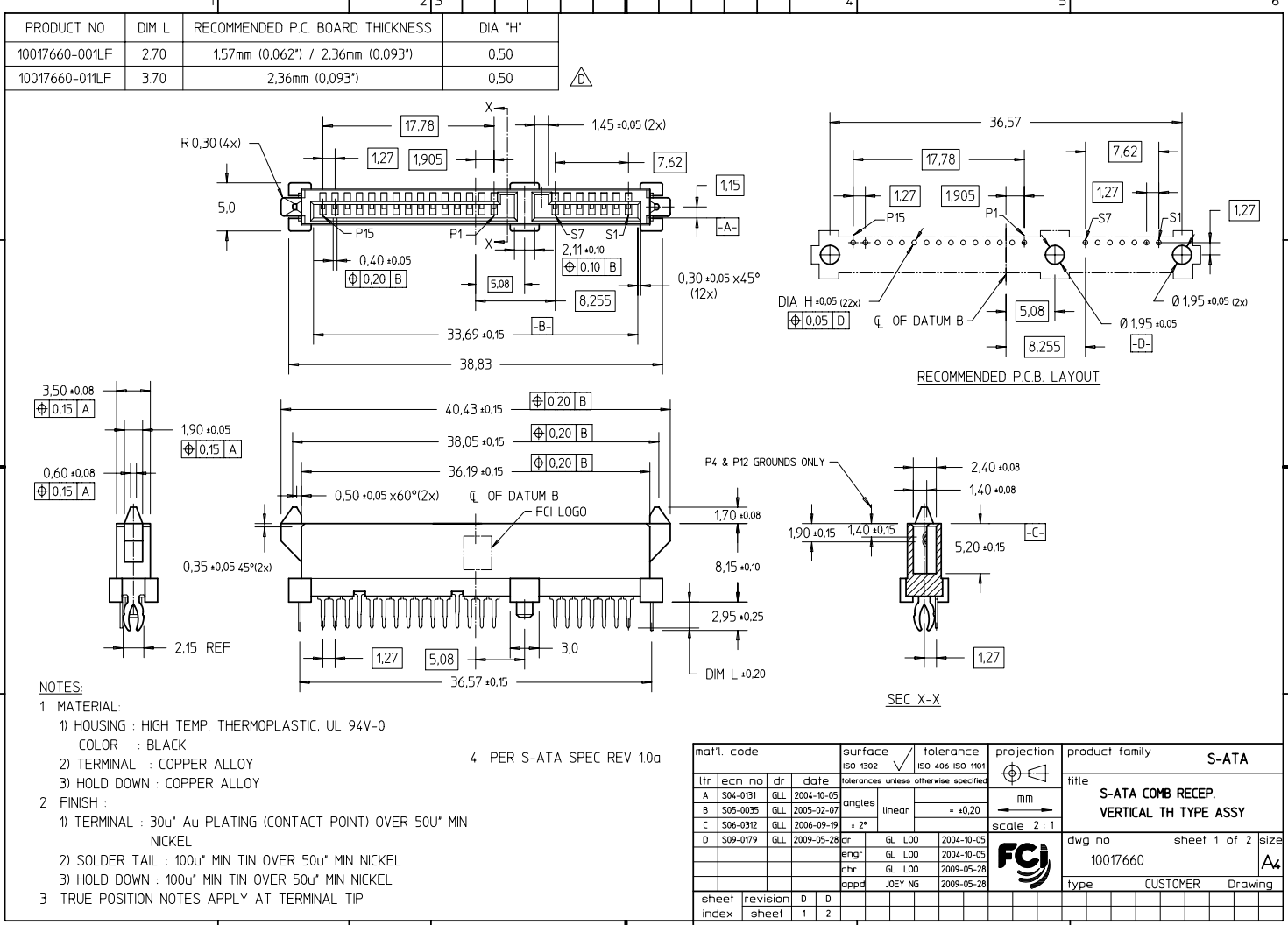


FCI CONFIDENTIAL



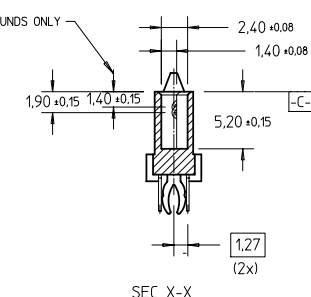
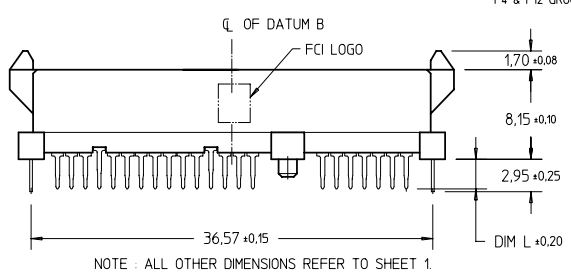
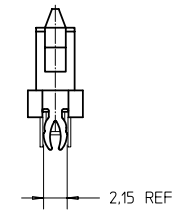
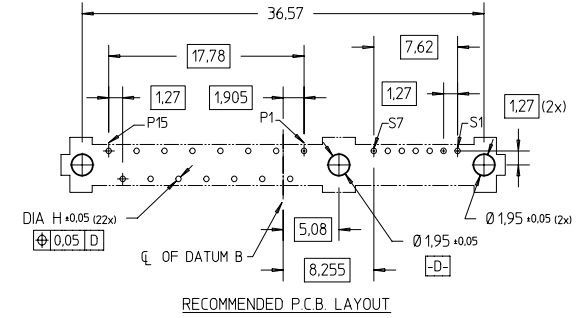
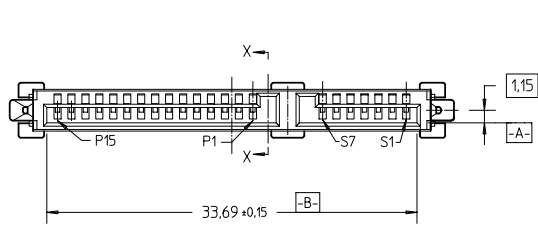
This document is the property of and embodies CONFIDENTIAL and PROPRIETARY information of FCI. No part of the information shown on this drawing is to be disclosed, copied, or otherwise used without the written consent of FCI. Copyright FCI.



PDM: Rev:D STATUS: Released 10017660C1 RevD Printed: Jul 31, 2009

FCI CONFIDENTIAL  
 FCI  
 FCIconnect.com  
 This document is the property of and embodies CONFIDENTIAL and PROPRIETARY information of FCI. No part of the information herein may be reproduced, stored in a retrieval system, or transmitted in any form or by any means, electronic, mechanical, photocopying, recording, or by any information storage and retrieval system, without the written consent of FCI. Copyright © FCI.

PRODUCT NO	DIM L	RECOMMENDED P.C. BOARD THICKNESS	DIA "H"
10017660-002LF	2.70	1,57mm (0,062") / 2,36mm (0,093")	0,50
10017660-012LF	3.70	2,36mm (0,093")	0,50



- NOTES:**
- THE STD PACKAGING IS IN TRAY
  - THE HOUSING WILL WITHSTAND EXPOSURE TO 260°C PEAK TEMPERATURE FOR 10 SECONDS IN A WAVE SOLDER APPLICATION WITH A 1,57MM MINIMUM THICK CIRCUIT BOARD.
  - THIS PRODUCT MEETS EUROPEAN UNION DIRECTIVES AND OTHER COUNTRY REGULATIONS AS DESCRIBED IN GS-22-008.
  - PART NUMBERS ENDING IN "LF" MEANS FOR NOTE 7 LEAD FREE IDENTIFICATION. P/N XXXXXXXX-XXXLF IS EQUIVALENT TO PREVIOUS P/N XXXXXXXX-XXX.
  - A  $\Delta$  SYMBOL WILL BE NEXT TO ANY DIMENSION, VIEW, OR NOTE WHICH HAS BEEN MODIFIED WITH THE CURRENT DRAWING REVISION.

mat'l. code		surface	tolerance	projection	product family
ISO 1302		ISO 406	ISO 1101		S-ATA
tr	ecn no	dr	date	title	
tolerances unless otherwise specified				S-ATA COMB RECEP.	
D				VERTICAL TH TYPE ASSY	
			angles	dwg no	
			linear	10017660	
			± 2°	sheet 2 of 2 size	
			dr	A4	
			engr	type	
			chr	CUSTOMER Drawing	
			appd		
			JOEY NG		
sheet	revision				
index	sheet	1			

**PDM: Rev:D**      STATUS: **Released**      Printed: Jul 31, 2009