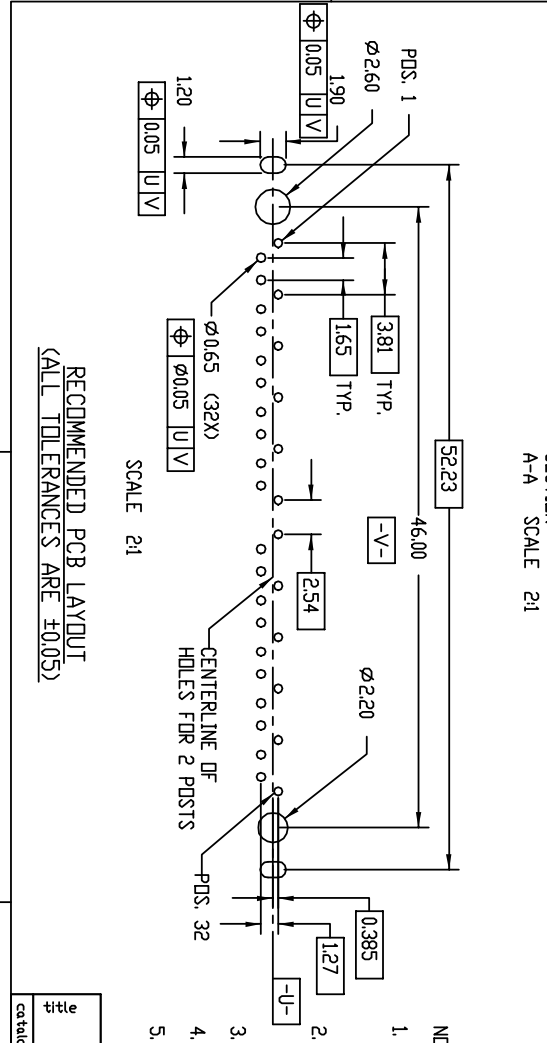
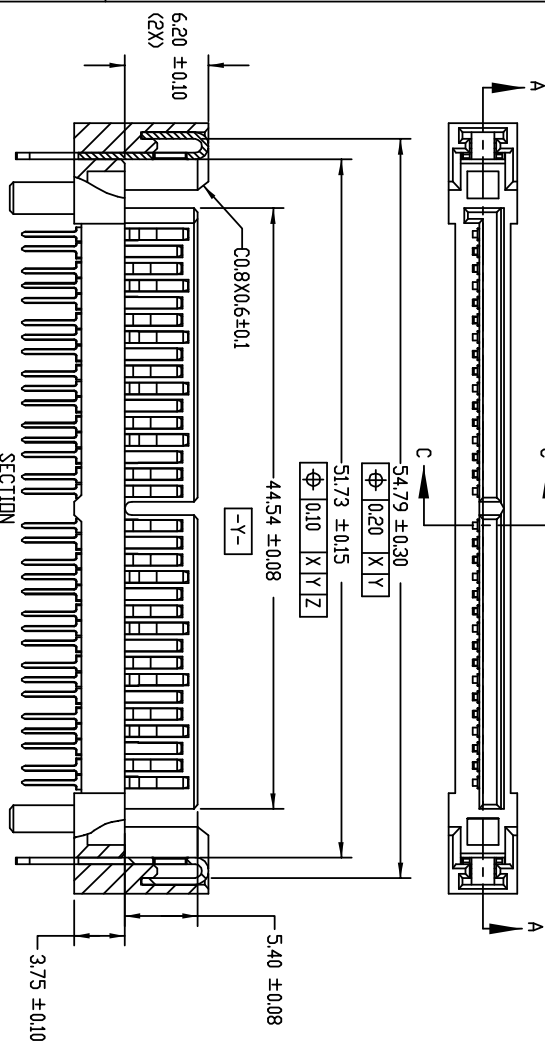


All rights strictly reserved. Reproduction or issue to third parties in any form whatever is not permitted without written authority from the proprietor. Property of FCI. Copyright FCI.



Tous droits strictement reserves. Reproduction ou communication a des tiers interdite sous quelque forme que ce soit sans autorisation ecrite du proprietaire. Propriete de c FCI. Droits de reproduction FCI.

PRODUCT NDL	PCB THICKNESS	DIMENSION 'A'	DIMENSION 'B'	DIMENSION 'C'	COLOR
10044625-001LF	1.57±0.10	2.75±0.20	3.20±0.10	2.54±0.20	BLACK
10044625-002LF	3.18±0.10	4.35 +0.10/-0.20	4.80±0.10	4.06±0.20	BLACK
10044625-003LF	1.57±0.10	2.75±0.20	1.55±0.10	2.54±0.20	BLACK
10044625-004LF	2.67±0.10	4.35±0.10/-0.20	4.20±0.10	3.65±0.20	BLACK
10044625-102LF	3.18±0.10	4.35±0.10/-0.20	4.80±0.10	4.06±0.20	NATURAL
10044625-104LF	2.67±0.10	4.35±0.10/-0.20	4.20±0.10	3.65±0.20	NATURAL



- NOTES
- MATERIAL: HOUSING: HIGH TEMPERATURE PLASTIC, UL94V-0 CONTACT: COPPER ALLOY HOLD DOWN: COPPER ALLOY
 - FINISH: 1.27µm MIN NICKEL UNDERPLATE OVERALL, 2.34µm MIN TIN (LEAD-FREE) ON SOLDER TAIL, 0.76µm MIN GOLD IN CONTACT AREA
 - THIS PRODUCT MEETS EUROPEAN UNION DIRECTIVES AND OTHER COUNTRY REGULATIONS AS DESCRIBED IN GS-22-008
 - THE HOUSING WILL WITHSTAND EXPOSURE TO 260°C PEAK TEMPERATURE FOR 10 SECONDS IN A CONVECTION INFRARED OR VAPOR PHASE REFLOW OVEN
 - CONTACT WIPE: 207 MIN FOR SIGNAL AND 252 MIN FOR GROUND
- 4 LANE VERTICAL TH HEADER
- Rev. B
- 10044625
- CUSTOMER
- Sheet 2 of 2