

REF. NO.	COMPONENT	QUANTITY	MADE FROM	REMARKS
1	HOUSING	1	ULTRAMID B3M66(382)	COLOUR:BLACK
2	LEVEL A&B CONTACT	16	Bd Ø.5 DIN 1791 CuZn37 F54 DIN 17670	3-5 µM SnPd OVER 1.27 µM MIN. UNDERCOAT OVERALL
3	LEVEL C CONTACT	**		
4	FUSE CONTACT	2	CuSn8 Ø.7 FB40 DIN 1780	
5	DIRECT GROUNDING	1	Bd Ø.8 DIN 1791 CuZn30 F35 DIN 17670	
6	UPPER BD-BD CONTACT	10	Bd Ø.5 DIN 1791 CuZn37 F54 DIN 17670	
7	LOWER BD-BD CONTACT	9		
8	CLINCH	2	Bd Ø.5 DIN 1544 ST2LBR DIN 824 F52 E 1.27/1.2 DIN1616	3-5µM SnPd OVERALL
9	CABLE HOLDER	**	PA 66 18.5KV-Ø	COLOUR:NATURAL
10	PCB	1	FR4 1.6mm	UAW-0033, SEE NOTE 4
11	GATEWAY PIN	2	CuZn30 F43 DIN17672	1.27 µM NiAu UNDERCOAT OVERALL 3.0 µM MIN. UNDERCOAT OVERALL
12	FUSE	1	FORM C	DIN 72 581-C10
13	JUMPER HARNESS	**	RIBBON CABLE HARNESS	1.27MM PITCH AWG28 TIN TOP COATED WIRE
14	ID LABEL	1		LABEL TO SHOW DATE OF MANUFACTURE AND LAST 4 DIGITS OF CUSTOMER PART NO.

** OPTION DEPENDENT

- NOTES
1. TRAY PACKAGED: Hdcs IN TRAY 99025-0027
 2. NUMBER OF TURNS IN TAPE TO BE 1.5
 3. NUMBER OF TURNS IN TAPE TO BE 2.5
 4. SEE SHEET 2 FOR PCB COLOUR-CODING.

REVISION		REVISION		REVISION	
NO.	DATE	NO.	DATE	NO.	DATE
1		2		3	

NOT TO SCALE!

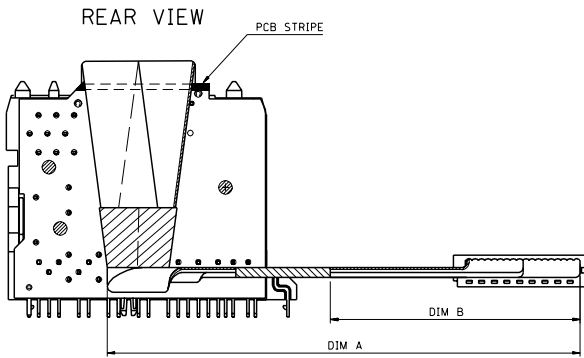
REVISE ONLY ON CAD SYSTEM

JUNCTION BOX
VERSION 3

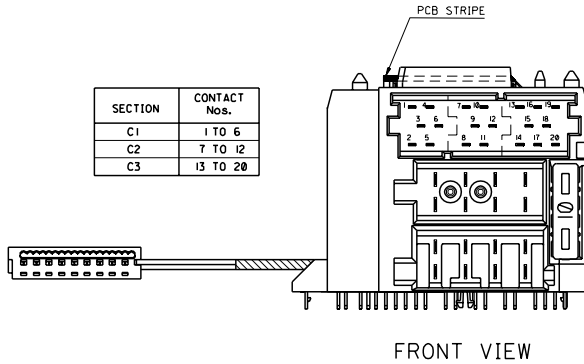
MOLEX EUROPE

SEE CHART

PART NO. SEE CHART
 DWG. NO. SDA-91009



PART NO.	CUST. REF. No.	NUMBER OF "C" LEVEL CONTACTS	SECTIONS PRESENT	DIM "A" ±2.0	DIM "B"	CABLE HLD. CKT. SIZE	CABLE HARNS. CKT. SIZE	CUSTOMER PCB REF NUMBER	STRIPE COLOUR
91009-0001	3111-117-1174	20	C1, C2, C3	95	50 ±5	18	18		
91009-0004	3111-117-1175	0							
91009-0005		6	C1	82	50 ±5	18	18		
91009-0006		6	C2	82	50 ±5	18	18		
91009-0007		8	C3	82	50 ±5	18	18		
91009-0008		12	C1, C2	82	50 ±5	18	18		
91009-0009		14	C1, C3	82	50 ±5	18	18		
91009-0010		14	C2, C3	82	50 ±5	18	18		
91009-0011	3111-117-1182	20	C1, C2, C3	82	50 ±5	18	18		
91009-0012	3111-117-1187	0						3111-113-3711	NONE
91009-0013	3111-117-1188	20	C1, C2, C3	79	45 ±5	18	18	3111-113-3711	NONE
91009-0014	3111-117-1189	0						3111-113-3712	WHITE
91009-0015	3111-117-1190	20	C1, C2, C3	79	45 ±5	18	18	3111-113-3713	BLACK
91009-0020	3111-117-1328	20	C1, C2, C3	79	45 ±5	18	18	3111-113-3717	NONE



SEE SHEET	REVISIONS	DIMENSIONS SHOWN (METRIC) INCH	DWG	REVISE ONLY ON CAD SYSTEM	SHC	REV.
	DATE	MILS (DIMENSIONS SPECIFIED TOLERANCES UNLESS OTHERWISE SPECIFIED)	BY	CAD FILE NAME	THIS DRAWING CONTAINS INFORMATION THAT IS PROPRIETARY TO MOLEX INC. & SHOULD NOT BE USED WITHOUT WRITTEN PERMISSION	
	BY	INCH	DATE	TITLE	JUNCTION BOX VERSION 3	
	DATE	INCH	DATE	SCALE	MOLEX EUROPE SHEET NO. DATE 20F2 95/10/26	
EQUIVALENT DIMENSION		INCH	SCALE	PART NO.	DWG. NO.	REV.
		INCH	2:1	SEE CHART	SDA-91009	C