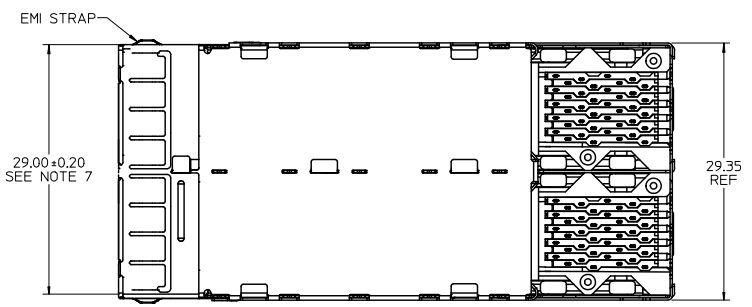
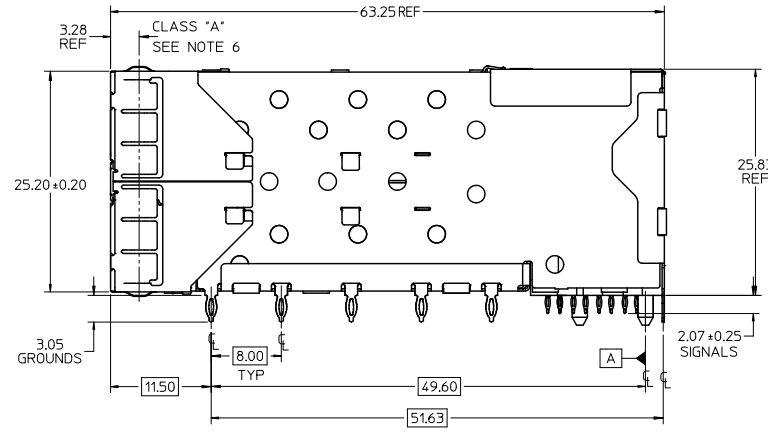
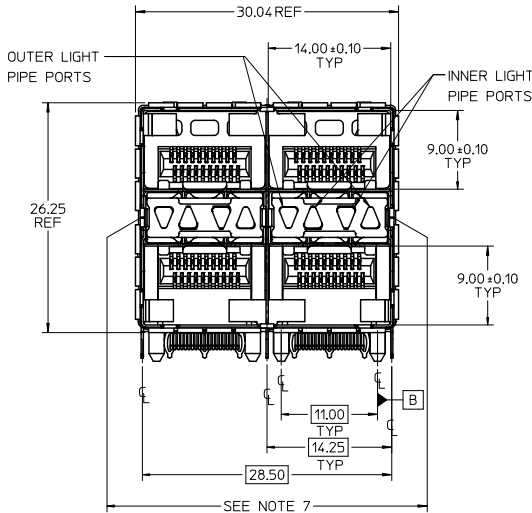


13 12 11 10 9 8 7 6 5 4 3 2 1

PART NUMBER	DESCRIPTION	VIEW	COMPLIANT TAIL PLATING
760450001	4 LIGHT PORTS	SEE PG 2	TIN / LEAD
760450002	INNER 2 PORTS	SEE PG 2	TIN / LEAD
760450003	OUTER 2 PORTS	SEE PG 2	TIN / LEAD
760455001	4 LIGHT PORTS	SEE PG 2	TIN
760455002	INNER 2 PORTS	SEE PG 2	TIN
760455003	OUTER 2 PORTS	SEE PG 2	TIN

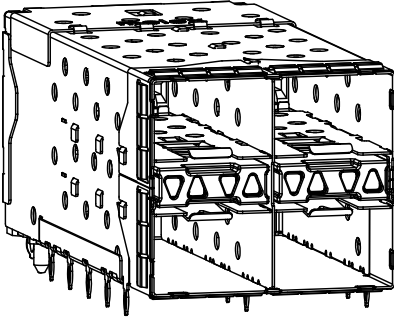


- NOTES
- MATERIAL:
CAGE: NICKEL SILVER, THICKNESS: 0.25mm
CONNECTOR HOUSING: GLASS FILLED LIQUID CRYSTAL POLYMER (LCP), UL 94V-0, COLOR: BLACK
OVERMOLD TERMINAL HOUSING: GLASS FILLED LIQUID CRYSTAL POLYMER (LCP), UL 94V-0, COLOR: BLACK
TERMINALS: TIN BRASS
EMI GASKET: PHOS-BRONZE
LIGHT PIPE HOUSING: ZINC
LIGHT PIPES: POLYCARBONATE, COLOR: CLEAR
 - FINISHES:
TERMINALS: CONTACT AREA: 0.76 MICROMETERS MINIMUM HARD GOLD OVER 1.27 MICROMETERS MINIMUM NICKEL.
COMPLIANT TAIL - TIN/LEAD OPTION: 0.76 TO 1.52 MICROMETERS 90/10 TIN-LEAD OVER 0.76 MICROMETERS MINIMUM NICKEL.
COMPLIANT TAIL - TIN OPTION: 0.76 TO 1.52 MICROMETERS TIN OVER 0.76 MICROMETERS MINIMUM NICKEL.
LIGHT PIPE HOUSING: 80 MICROMETERS MINIMUM NICKEL OVER COPPER
EMI GASKET: 2.54 MICROMETERS MINIMUM NICKEL OVERALL
 - REFER TO PS-75310-001 PRODUCT SPEC FOR ALL ELECTRICAL, MECHANICAL, AND ENVIRONMENTAL SPECIFICATIONS.
 - LIGHT PIPE PAD LAYOUT IS FOR 0805 LOW-PROFILE LED PACKAGE, FOR OTHER RECOMMENDED LAYOUTS REFER TO MOLEX'S REPORT TS-75310-001.
 - REFER TO PK-75714-001 FOR ALL PACKAGING SPECIFICATIONS.
 - THE SURFACES CONFORM TO THE MOLEX COSMETIC SPEC PS-45499-002. ALL EXTERIOR SURFACES TO BE CLASS "B" SURFACE EXCEPT THE UNDERSIDE (CLASS "C") OF THE CAGE (SIDE TOWARD THE PCB) AND AS OTHERWISE NOTED.
 - THE OVERALL CAGE WIDTH AT THE VERTICAL CENTER OF THE FRONT EDGE WILL FALL WITHIN THIS DIMENSION: 29.30 ± 0.30 MM. THIS PORTION OF THE CAGE WILL FLEX INWARD AS THE CAGE IS BEING INSERTED INTO THE BEZEL OPENING.

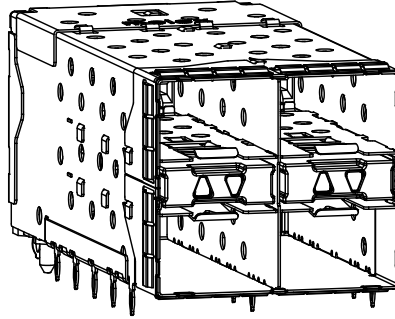
ADD CRIMP WRAP ENGINERS EC NO: UCF2011-1769 DRAWN BY: DRWNS/BARKER 20/01/21/15 CHKD BY: CHKCH/IBARRA 20/10/17/18 APPR: SKILLER 20/11/02/12	QUALITY SYMBOLS ▽=0 ▽=0	GENERAL TOLERANCES (UNLESS SPECIFIED)		DIMENSION STYLE MM ONLY		SCALE 3:1	DESIGN UNITS METRIC	THIRD ANGLE PROJECTION
		4 PLACES ± 0.13 ± 0.05	3 PLACES ± 0.13 ± 0.05	2 PLACES ± 0.25 ± 0.10	1 PLACE ± 0.25 ± 0.10	ANGULAR ± 5 °	DRAWN BY: MSANDBERG DATE: 10-16-06 CHECKED BY: JLONG DATE: 10-16-06 APPROVED BY: RNELSON DATE: 10-16-06	TITLE STACKED SFP+ 2X2 ASS'Y WITH METAL EMI GASKET AND LIGHTPIPES
DESCRIPTION REN	DRAFT WHERE APPLICABLE MUST REMAIN WITHIN DIMENSIONS	SEE CHART	MATERIAL NO. DOCUMENT NO. SD-76045-001		MOLEX INCORPORATED		SHEET NO. 1 OF 4	

1b_frame_C.P. AM.T Rev. D 2004/06/28 12 11 10 9 8 7 6 5 4 3 2 1

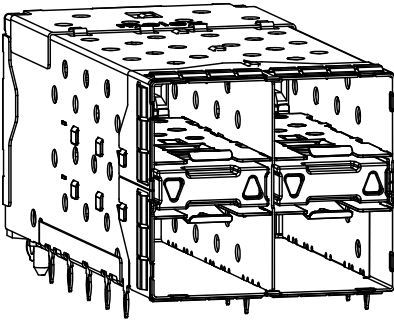
13 12 11 10 9 8 7 6 5 4 3 2 1



760450001 AND 760455001
WITH INNER AND OUTER LIGHT PIPES



760450002 AND 760455002
WITH INNER LIGHT PIPES

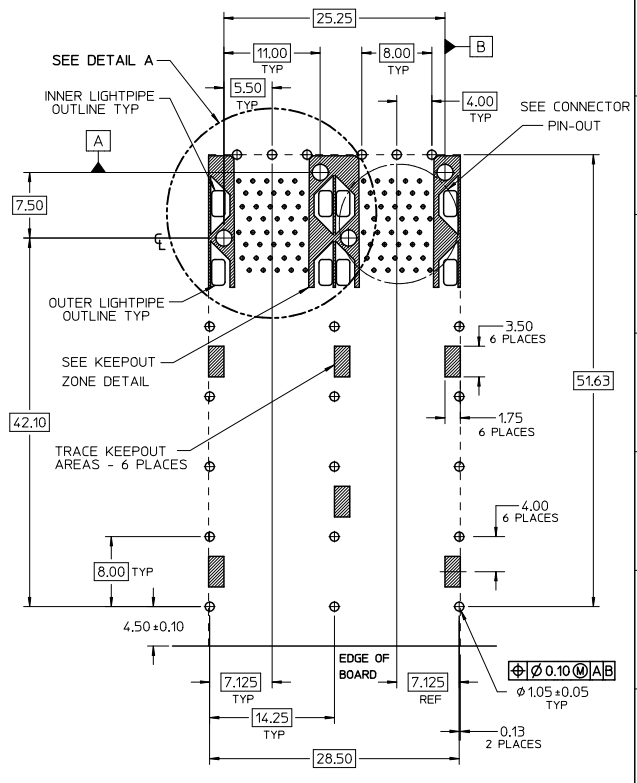
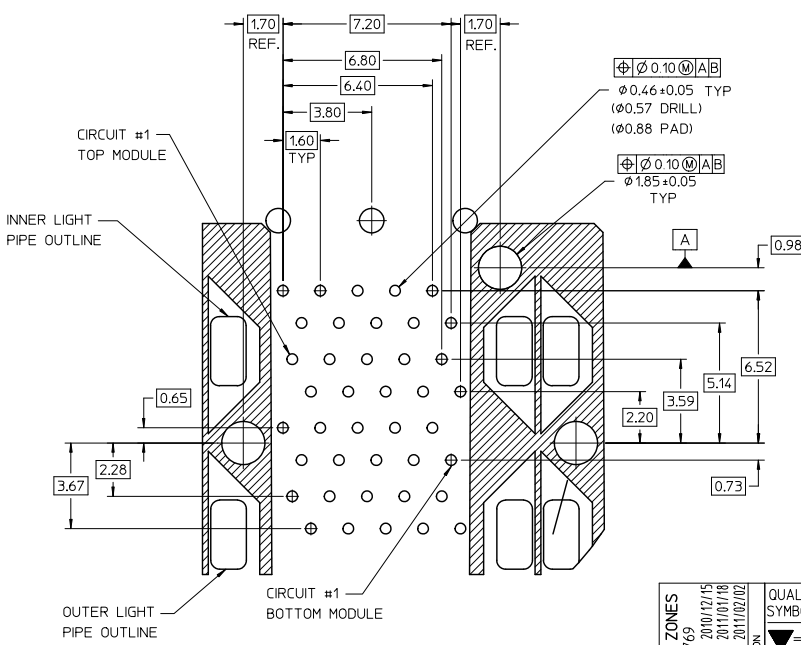
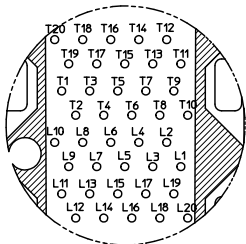


760450003 AND 760455003
WITH OUTER LIGHT PIPES

SEE SHEET 1 EC NO: UCP2011-1769 D: DRW:BBARKER 2010/12/15 CHK:MBARRA 2011/01/18 APPR:SMILLER 2011/02/02	QUALITY SYMBOLS ▽=0 ▽=0	GENERAL TOLERANCES (UNLESS SPECIFIED)		DIMENSION STYLE MM ONLY		SCALE 3:1	DESIGN UNITS METRIC	THIRD ANGLE PROJECTION	
		4 PLACES ±--- ±---	mm INCH	DRAWN BY MSANDBERG	DATE 10-16-06	TITLE STACKED SFP+ 2X2 ASS'Y WITH METAL EMI GASKET AND LIGHTPIPES			
		3 PLACES ±--- ±---		CHECKED BY JLONG	DATE 10-16-06	MOLEX INCORPORATED			
		2 PLACES ±0.13 ±--- 1 PLACE ±0.25 ±--- ANGULAR ± 5 °		APPROVED BY RNELSON	DATE 10-16-06	MATERIAL NO. DOCUMENT NO. SD-76045-001 SHEET NO. 2 OF 4			
DRAFT WHERE APPLICABLE MUST REMAIN WITHIN DIMENSIONS		SEE CHART		THIS DRAWING CONTAINS INFORMATION THAT IS PROPRIETARY TO MOLEX INCORPORATED AND SHOULD NOT BE USED WITHOUT WRITTEN PERMISSION					

12 11 10 9 8 7 6 5 4 3 2 1

13 12 11 10 9 8 7 6 5 4 3 2 1



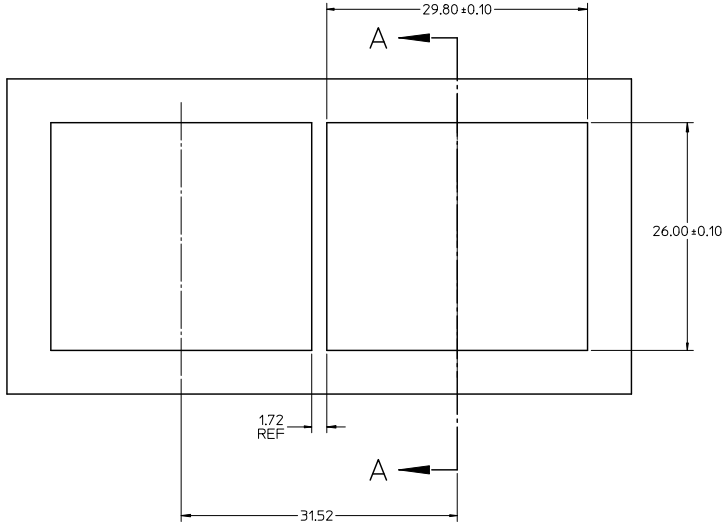
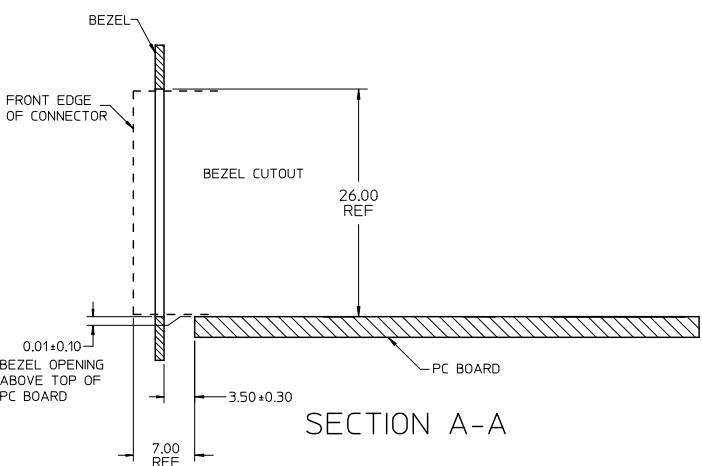
RECOMMENDED PCB LAYOUT - COMPONENT SIDE
RECOMMENDED PCB THICKNESS - 2.36 MM (.093 INCH)

THE ENTIRE AREA OF THE CONNECTOR FOOTPRINT TO BE CONSIDERED THE KEEPOUT AREA FOR COMPONENTS (OTHER THAN LIGHT PIPE LED'S). THIS AREA IS INDICATED BY THE DASHED LINE

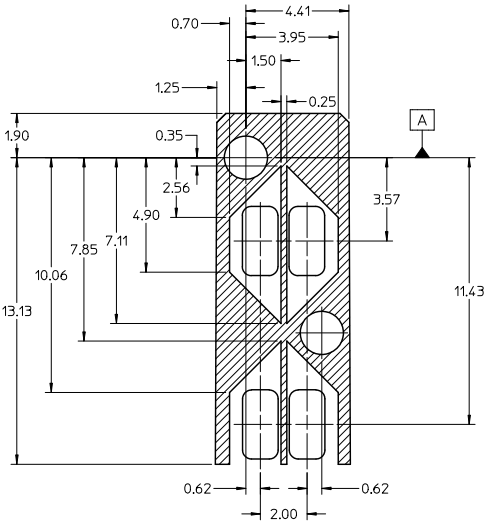
ADD KEEPOUT ZONES EC NO: UCP2011-17/69 DRAWN BY: DRWNSBARKER 2010/12/15 CHKD BY: CHKCHIBARRA 2011/01/18 APPR: SMILLER 2011/02/02	QUALITY SYMBOLS ▽=0 ▽=0	GENERAL TOLERANCES (UNLESS SPECIFIED)		DIMENSION STYLE MM ONLY		SCALE 3:1	DESIGN UNITS METRIC	THIRD ANGLE PROJECTION	
		4 PLACES ± --- ± --- 3 PLACES ± --- ± --- 2 PLACES ± 0.13 ± --- 1 PLACE ± 0.25 ± --- ANGULAR ± 5 °	mm INCH	DRAWN BY MSANDBERG	DATE 10-16-06	TITLE STACKED SFP+ 2X2 ASS'Y WITH METAL EMI GASKET AND LIGHTPIPES			
		DRAFT WHERE APPLICABLE MUST REMAIN WITHIN DIMENSIONS	SEE CHART	CHECKED BY JLONG	DATE 10-16-06	MOLEX INCORPORATED			
		MATERIAL NO. SD-76045-001	DOCUMENT NO. SD-76045-001	SHEET NO. 3 OF 4		THIS DRAWING CONTAINS INFORMATION THAT IS PROPRIETARY TO MOLEX INCORPORATED AND SHOULD NOT BE USED WITHOUT WRITTEN PERMISSION			

12 11 10 9 8 7 6 5 4 3 2 1

13 12 11 10 9 8 7 6 5 4 3 2 1



BEZEL CUT-OUT CENTER SPACING DETAIL
BEZEL THICKNESS: 0.8 - 2.6



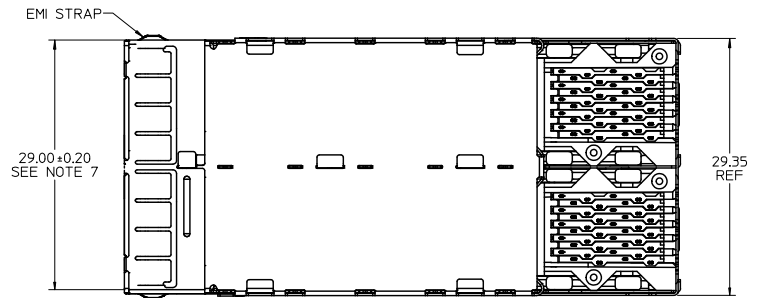
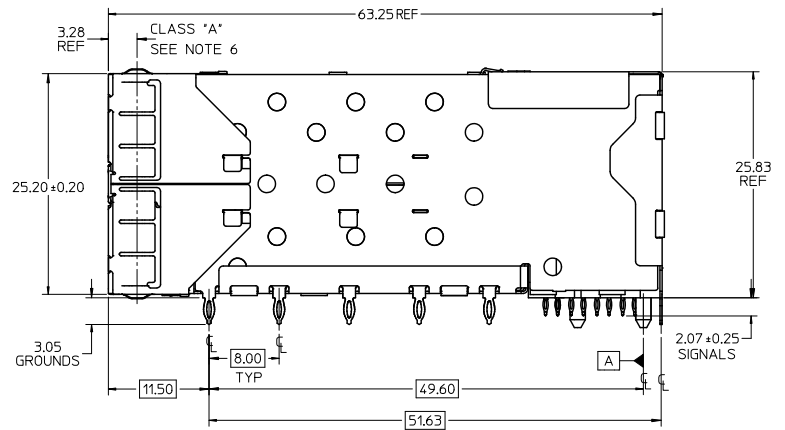
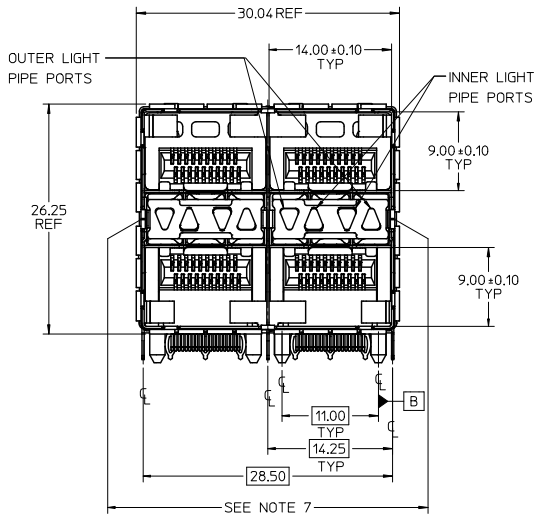
DETAIL - LIGHT PIPE AND OTHER ZONES
SCALE 8:1

THE HATCHED AREA IN THIS VIEW INDICATES ZONES THAT ARE OCCUPIED BY THE PLASTIC HOUSING THAT SEATS AGAINST THE PCB AND BY THE VERTICAL METAL CAGE WALL THAT STOPS JUST SHORT OF THE PCB

SEE SHEET 1 IEC NO. UCP2011-1769 DRAWN BY: DRW:MSANDBERG 2010/12/15 CHECKED BY: CHK:KIMBARA 2011/01/18 APPR: SMLLER 2011/02/02	QUALITY SYMBOLS	GENERAL TOLERANCES (UNLESS SPECIFIED)		DIMENSION STYLE		SCALE	DESIGN UNITS	THIRD ANGLE PROJECTION	
	▽=0 ▽=0	mm	INCH	MM ONLY		3:1	METRIC		
		4 PLACES ±--- ±---	3 PLACES ±--- ±---	DRAWN BY	DATE	TITLE			
		2 PLACES ±0.13 ±---	1 PLACE ±0.25 ±---	MSANDBERG	10-16-06	STACKED SFP+ 2X2 ASS'Y WITH METAL EMI GASKET AND LIGHTPIPES			
	ANGULAR ± 5 °	DRAFT WHERE APPLICABLE MUST REMAIN WITHIN DIMENSIONS		CHECKED BY	DATE	MOLEX INCORPORATED			
		SEE CHART		JLONG	10-16-06	SD-76045-001			
		MATERIAL NO.		APPROVED BY	DATE	SHEET NO.			
		SIZE		RNELSON	10-16-06	4 OF 4			
		THIS DRAWING CONTAINS INFORMATION THAT IS PROPRIETARY TO MOLEX INCORPORATED AND SHOULD NOT BE USED WITHOUT WRITTEN PERMISSION							

12 11 10 9 8 7 6 5 4 3 2 1

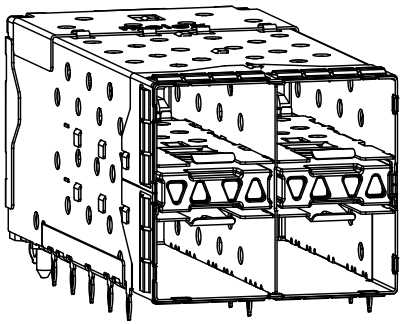
PART NUMBER	DESCRIPTION	VIEW	COMPLIANT TAIL PLATING
760458001	4 LIGHT PORTS	SEE PG 2	TIN
	INNER 2 PORTS	SEE PG 2	TIN
	OUTER 2 PORTS	SEE PG 2	TIN



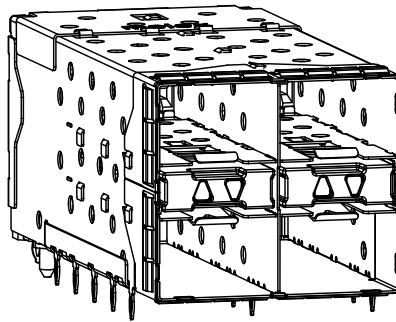
- NOTES
- MATERIAL:
 - CAGE: NICKEL SILVER, THICKNESS: 0.25mm
 - CONNECTOR HOUSING: GLASS FILLED LIQUID CRYSTAL POLYMER (LCP), UL 94V-0, COLOR: BLACK
 - OVERMOLD TERMINAL HOUSING: GLASS FILLED LIQUID CRYSTAL POLYMER (LCP), UL 94V-0, COLOR: BLACK
 - TERMINALS: TIN BRASS
 - EMI GASKET: PHOS-BRONZE
 - LIGHT PIPE HOUSING: ZINC
 - LIGHT PIPE PIPES: POLYCARBONATE, COLOR: CLEAR
 - FINISHES:
 - TERMINALS: CONTACT AREA: 0.76 MICROMETERS MINIMUM HARD GOLD OVER 1.27 MICROMETERS MINIMUM NICKEL.
 - COMPLIANT TAILS: 0.76 TO 1.52 MICROMETERS TIN OVER 0.76 MICROMETERS MINIMUM NICKEL.
 - LIGHT PIPE HOUSING: 80 MICROMETERS MINIMUM NICKEL OVER COPPER
 - EMI GASKET: 2.54 MICROMETERS MINIMUM NICKEL OVERALL
 - REFER TO PS-75310-001 PRODUCT SPEC FOR ALL ELECTRICAL, MECHANICAL, AND ENVIRONMENTAL SPECIFICATIONS.
 - LIGHT PIPE PAD LAYOUT IS FOR 0805 LOW-PROFILE LED PACKAGE, FOR OTHER RECOMMENDED LAYOUTS REFER TO MOLEX'S REPORT TS-75310-001.
 - REFER TO PK-75714-001 FOR ALL PACKAGING SPECIFICATIONS.
 - THE SURFACES CONFORM TO THE MOLEX COSMETIC SPEC PS-45499-002. ALL EXTERIOR SURFACES TO BE CLASS 'B' SURFACE EXCEPT THE UNDERSIDE (CLASS 'C') OF THE CAGE (SIDE TOWARD THE PCB) AND AS OTHERWISE NOTED.
 - THE OVERALL CAGE WIDTH AT THE VERTICAL CENTER OF THE FRONT EDGE WILL FALL WITHIN THIS DIMENSION: 29.30+/-0.30 MM. THIS PORTION OF THE CAGE WILL FLEX INWARD AS THE CAGE IS BEING INSERTED INTO THE BEZEL OPENING.

FIX SIGNAL TAIL PLATING EC NO: UCF2011-2250 DRAWN BY: BBARKER 2011/02/15 CHECKED BY: CHKCHIDARRA APPR: SMILLER 2011/03/30	QUALITY SYMBOLS 	GENERAL TOLERANCES (UNLESS SPECIFIED):		DIMENSION STYLE MM ONLY		SCALE 3:1	DESIGN UNITS METRIC	THIRD ANGLE PROJECTION
		4 PLACES ± 0.15 3 PLACES ± 0.25 2 PLACES ± 0.38 1 PLACE ± 0.50 ANGULAR ± 5°	mm INCH	DRAWN BY BBARKER	DATE 2011/02/06	TITLE STACKED SFP+ 2X2 ASS'Y WITH METAL EMI GASKET AND LIGHTPIPES		
REV DESCRIPTION	DRAFT WHERE APPLICABLE MUST REMAIN WITHIN DIMENSIONS	APPROVED BY SMILLER		DATE 2011/03/30		MOLEX INCORPORATED		
		MATERIAL NO. SEE TABLE		DOCUMENT NO. SD-76045-002		SHEET NO. 1 OF 4		

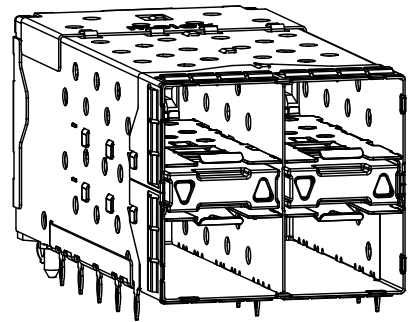
13 12 11 10 9 8 7 6 5 4 3 2 1



760458001
WITH INNER AND OUTER LIGHT PIPES



WITH INNER LIGHT PIPES

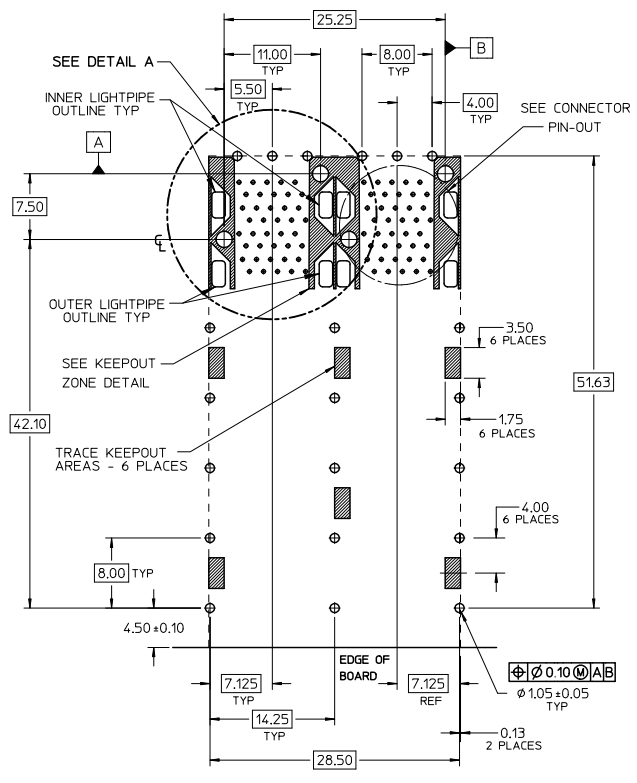
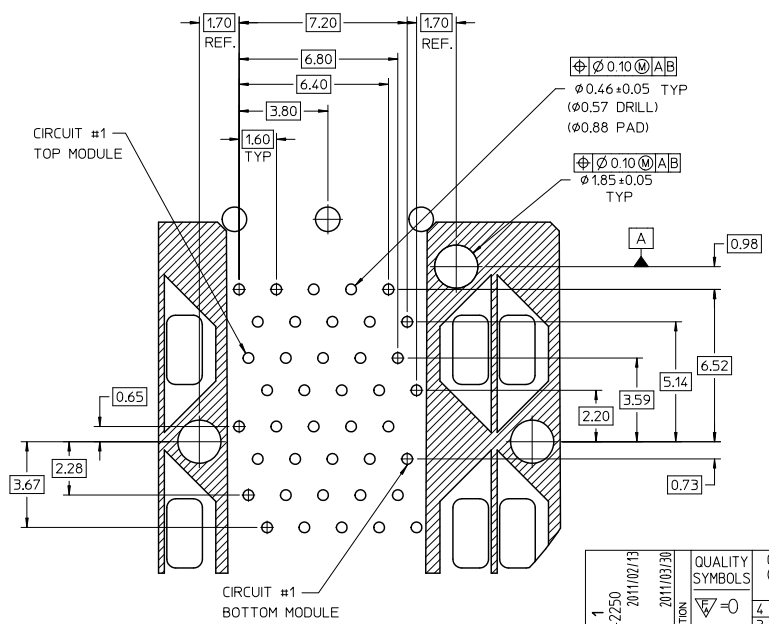
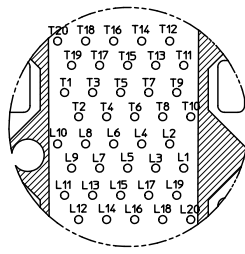


WITH OUTER LIGHT PIPES

SEE SHEET 1 EC NO. UCP2011-2250 DRAWN BY: BBARKER 2011/02/13 CHECKED BY: CHAKRIBARMA APPR: SMILLER 2011/03/30	QUALITY SYMBOLS ∇=0 ∇=0 ∇=0	GENERAL TOLERANCES (UNLESS SPECIFIED)		DIMENSION STYLE		SCALE	DESIGN UNITS	THIRD ANGLE PROJECTION
				MM ONLY		3:1	METRIC	
		4 PLACES ±--- ±---		DRAWN BY	DATE	TITLE		
		3 PLACES ±--- ±---		BBARKER	2011/02/06	STACKED SFP+ 2X2 ASS'Y WITH METAL EMI GASKET AND LIGHTPIPES		
2 PLACES ±0.13 ±---		CHECKED BY	DATE	APPROVED BY		MOLEX INCORPORATED		
1 PLACE ±0.25 ±---		SMILLER	2011/03/30	DATE		SD-76045-002		
ANGULAR ± 5 °		MATERIAL NO.		DOCUMENT NO.		SHEET NO.		
DRAFT WHERE APPLICABLE MUST REMAIN WITHIN DIMENSIONS		SEE SHEET 1		SD-76045-002		2 OF 4		
		THIS DRAWING CONTAINS INFORMATION THAT IS PROPRIETARY TO MOLEX INCORPORATED AND SHOULD NOT BE USED WITHOUT WRITTEN PERMISSION						

12 11 10 9 8 7 6 5 4 3 2 1

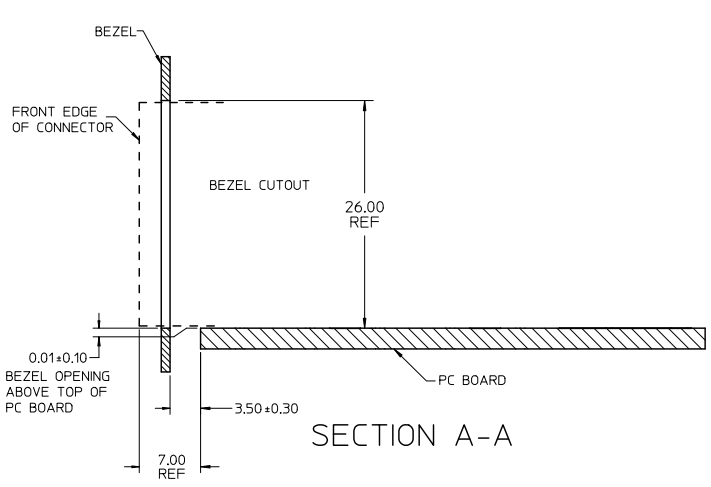
13 12 11 10 9 8 7 6 5 4 3 2 1



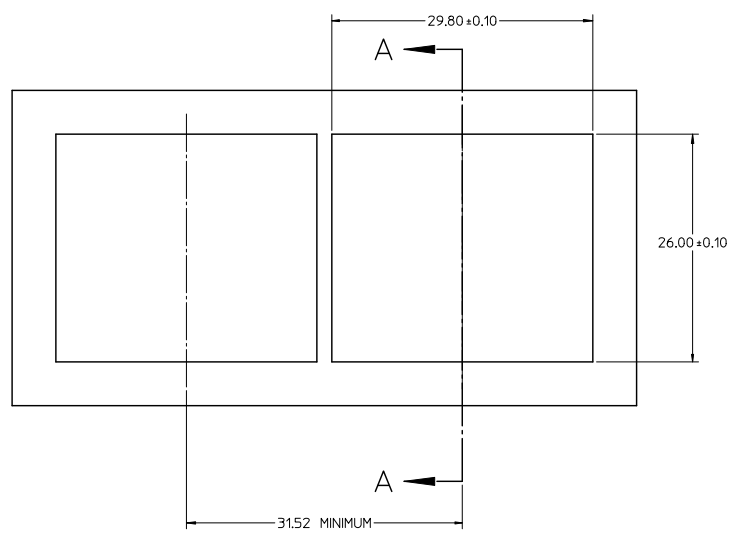
SEE SHEET 1 EC NO. UCP2011-2250 DRAWN BY BBARKER 2011/02/13 CHKD BY BARBARA 2011/03/30 APPR: SMILLER	QUALITY SYMBOLS	GENERAL TOLERANCES (UNLESS SPECIFIED)	DIMENSION STYLE	SCALE	DESIGN UNITS	THIRD ANGLE PROJECTION
	$\nabla = 0$ $\nabla = 0$ $\nabla = 0$	mm INCH 4 PLACES ± --- ± --- 3 PLACES ± --- ± --- 2 PLACES ± 0.13 ± --- 1 PLACE ± 0.25 ± --- ANGULAR ± 5°	MM ONLY	3:1	METRIC	TITLE: STACKED SFP+ 2X2 ASS'Y WITH METAL EMI GASKET AND LIGHTPIPES MOLEX INCORPORATED
	DRAFT WHERE APPLICABLE MUST REMAIN WITHIN DIMENSIONS	DRAWN BY BBARKER DATE 2011/02/06 CHECKED BY DATE APPROVED BY SMILLER DATE 2011/03/30 MATERIAL NO. SEE SHEET 1 DOCUMENT NO. SD-76045-002	SHEET NO. 3 OF 4			
	THIS DRAWING CONTAINS INFORMATION THAT IS PROPRIETARY TO MOLEX INCORPORATED AND SHOULD NOT BE USED WITHOUT WRITTEN PERMISSION					

12 11 10 9 8 7 6 5 4 3 2 1

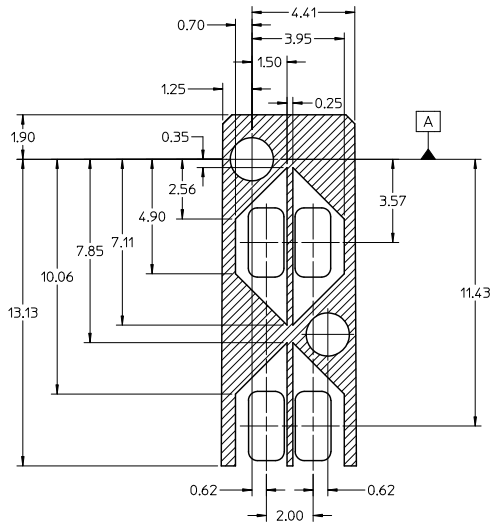
13 12 11 10 9 8 7 6 5 4 3 2 1



SECTION A-A



BEZEL CUT-OUT CENTER SPACING DETAIL
BEZEL THICKNESS: 0.8 - 2.6



DETAIL - LIGHT PIPE AND OTHER ZONES
SCALE 8:1

THE HATCHED AREA IN THIS VIEW INDICATES ZONES THAT ARE OCCUPIED BY THE PLASTIC HOUSING THAT SEATS AGAINST THE PCB AND BY THE VERTICAL METAL CAGE WALL THAT STOPS JUST SHORT OF THE PCB

SEE SHEET 1 EC NO. UCP2011-2250 DRAWN BY: BBARKER 2011/02/13 CHKD BY: BARBARA APPR: SMILLER 2011/03/30	QUALITY SYMBOLS	GENERAL TOLERANCES (UNLESS SPECIFIED)	DIMENSION STYLE	SCALE	DESIGN UNITS	THIRD ANGLE PROJECTION	
	∇=0 ∇=0 ∇=0	mm INCH 4 PLACES ±--- ±--- 3 PLACES ±--- ±--- 2 PLACES ±0.13 ±--- 1 PLACE ±0.25 ±--- ANGULAR ± 5 °	MM ONLY	3:1	METRIC	DRAWN BY: BBARKER DATE: 2011/02/06 CHECKED BY: DATE: APPROVED BY: SMILLER DATE: 2011/03/30	TITLE: STACKED SFP+ 2X2 ASS'Y WITH METAL EMI GASKET AND LIGHTPIPES MOLEX INCORPORATED
	DRAFT WHERE APPLICABLE MUST REMAIN WITHIN DIMENSIONS	SEE SHEET 1	MATERIAL NO.	DOCUMENT NO.	SHEET NO.		
			SD-76045-002		4 OF 4		

12 11 10 9 8 7 6 5 4 3 2 1