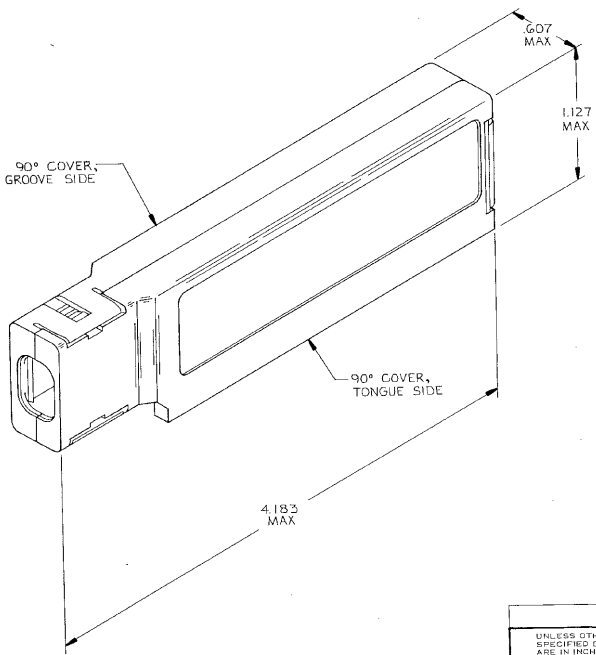


DRAWING MADE IN THIRD ANGLE PROJECTION

THIS DRAWING IS UNPUBLISHED. RELEASED FOR PUBLICATION

REVISIONS

| P | F | DATE | DESCRIPTION               | DATE APPROVED |
|---|---|------|---------------------------|---------------|
|   |   | J1   | REVISED PER ECO-11-005297 | RK HMR        |



- COVERS SHIPPED NOT ASSEMBLED.
- 100 KITS BULK PACKED.

552496

|                      |       |                      |    |                      |    |              |    |
|----------------------|-------|----------------------|----|----------------------|----|--------------|----|
| 540 - 605            | BLACK | 2-                   | -1 | 2-                   | -1 | 2-           | -1 |
| 475 - 540            |       | 1-                   |    | 1-                   |    | 1-           |    |
| 410 - 475            | BLACK |                      |    |                      |    |              |    |
| CABLE RANGE DIAMETER | COLOR | 552494               | -1 | 552495               | -1 | 552496       | -1 |
|                      |       | GROOVE SIDE PART NO. |    | TONGUE SIDE PART NO. |    | KIT PART NO. |    |

|   |                              |  |                  |
|---|------------------------------|--|------------------|
| UNLESS OTHERWISE SPECIFIED DIMENSIONS ARE IN INCHES | CONTRACT NO.                 | <b>TE</b> TE Connectivity                        |                  |
| TOLERANCES ON:<br>DECIMALS ±<br>ANGLES ±            | DR<br>S. Pozzobonchi 1-29-85 | NAME<br>COVER KIT, 90 DEG<br>64 POSITION, CHAMP® |                  |
| MATERIAL<br>POLYPHENYLENE                           | CHK<br>C8 Gentry 1-30-85     | SIZE<br>C  | FSCM NO<br>00779 |
| FINISH  | APP'D<br>1/31/85             | DRAWING NO<br>552496                             | SCALE 2:1        |
| OTHER APP'D   | DESIGN APP'D                 | SHEET 1 OF 1                                     |                  |

CUSTOMER DRAWING