

4

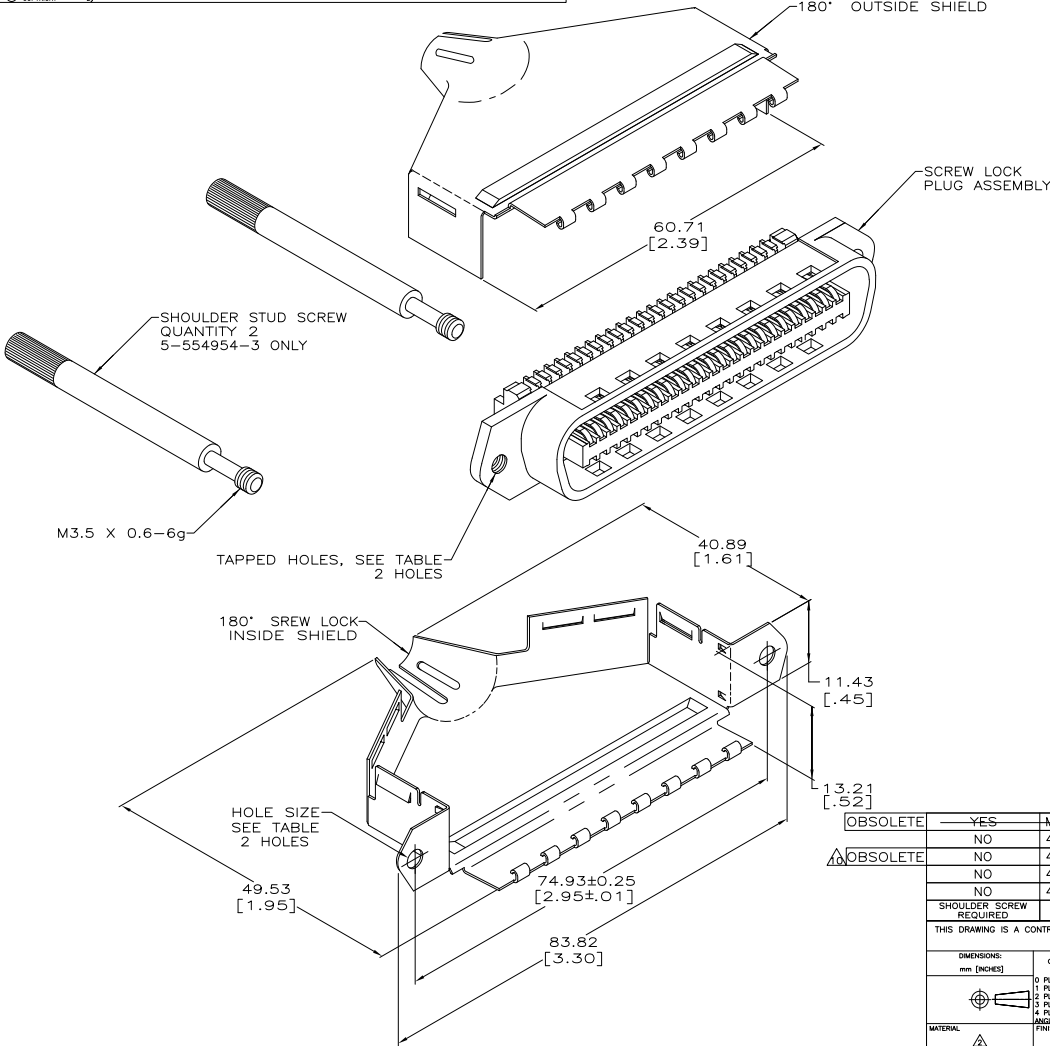
3

2

1

THIS DRAWING IS UNPUBLISHED. RELEASED FOR PUBLICATION. ALL RIGHTS RESERVED.

LOC	DIST	REVISIONS					
GP	00	F	LNK	DESCRIPTION	DATE	BY	APP'D
		J2		REVISED PER ECO-11-005140	28MAR11	RK	HMR



- THIS KIT SHIPPED NOT ASSEMBLED.
- MATERIAL: SHIELDS - BRIGHT NICKEL PLATED CARBON STEEL.
PLUG HOUSING - POLYPHENYLENE OXIDE, BLACK.
TERMINAL - HIGH STRENGTH COPPER ALLOY PLATED WITH 0.76µm [.000030] MIN GOLD OR GOLD FLASH OVER PALLADIUM NICKEL PLATE, 0.76µm [.000030] MIN TOTAL ON MATING SURFACE. 1.27µm [.000050] MIN NICKEL UNDERPLATE OVER ENTIRE TERMINAL.
- WIRE SIZE: 26-27-28 AWG 7 STRANDS OF COPPER CONDUCTORS. MAXIMUM INSULATION DIAMETER OF 1.14 [.045] IS ACCEPTABLE FOR MOST APPLICATIONS.
- CABLE RANGE: Ø8.89-15.88 [.350-.625].
- CENTER-TO-CENTER SPACING OF TERMINALS 2.16 [.085] NOMINAL.
- WIRE SIZE: 24 OR 26 AWG SOLID OR 24 AWG 7 STRANDS OF COPPER CONDUCTORS. MAXIMUM INSULATION DIAMETER OF 1.14 [.045] IS ACCEPTABLE FOR MOST APPLICATIONS.
- DIMENSIONS ARE MAXIMUM UNLESS OTHERWISE SPECIFIED.
- PACKAGED 1 KIT PER POLYBAG.
- BULK PACKAGED 500 KITS PER CONTAINER.
- OBsolete PARTS: OBSOLETE CIS STREAMLINING PER D.RENAUD/D.SINISI

SHOULDER SCREW REQUIRED	TAPPED	HOLE SIZE DIAMETER	PACKAGED	SLOT SIZE	WIRE SIZE	PART NUMBER
OBsolete	YES	M3.5x0.6-6G	3.56-3.81[.140-.150]	△	E	5-554954-3
	NO	4-40 UNC-2B	3.18-3.43[.125-.135]	△	B	5-554954-2
△	OBsolete	NO	4-40 UNC-2B	3.18-3.43[.125-.135]	E	5-554954-1
	NO	4-40 UNC-2B	3.18-3.43[.125-.135]	△	B	554954-2
	NO	4-40 UNC-2B	3.18-3.43[.125-.135]	△	E	554954-1

THIS DRAWING IS A CONTROLLED DOCUMENT.		DRG T. CANTY 11-APR-88	TE Connectivity
DIMENSIONS: mm [INCHES]		CHK B. FOX 19-MAY-88	
TOLERANCES UNLESS OTHERWISE SPECIFIED:		APRO B. HUTCHENS 27-MAY-88	PLUG KIT, 50 POSITION, SCREW LOCK, WITH 4-40 HOLES, SHIELDED CHAMP
0 P.L.C. ± .005		PRODUCT SPEC: ---	
1 P.L.C. ± .005		APPLICATION SPEC: ---	SIZE: A2
2 P.L.C. ± .005		WEIGHT: ---	CAGE CODE: C=554954
3 P.L.C. ± .005		RESTRICTED TO: ---	SCALE: 2:1
4 P.L.C. ± .005			SHEET: 1 of 1
ANGLES: ± .005			REV: J2
FINISH: △			
MATERIAL: △			
CUSTOMER DRAWING			

1471-9 (3/11)

554954

A