

4

3

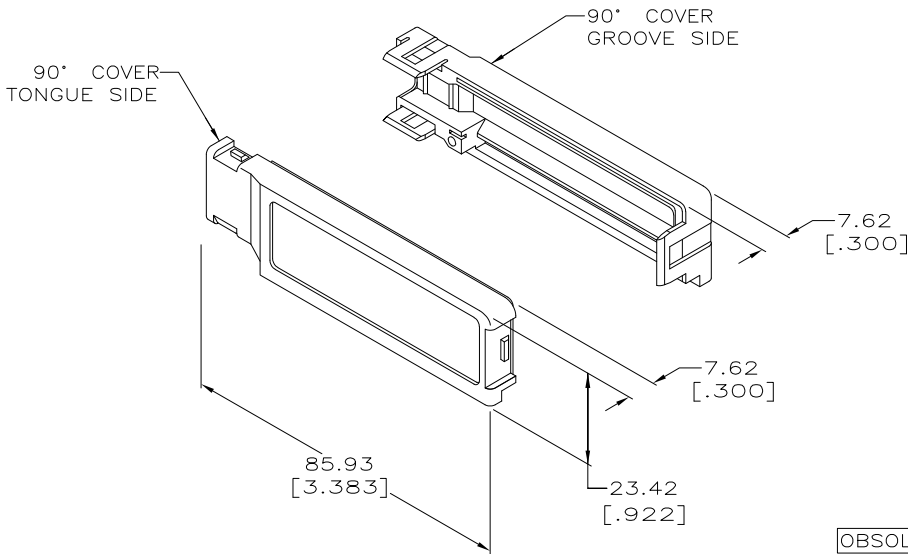
2

1

THIS DRAWING IS UNPUBLISHED. RELEASED FOR PUBLICATION
 © COPYRIGHT - By - ALL RIGHTS RESERVED.

LOC	DIST	REVISIONS				
P	LTR	DESCRIPTION	DATE	DWN	APVD	
AA	20	K1	REVISED PER ECO-11-005140	28MAR11	RK HMR	

1. DIMENSIONS SHOWN ARE FOR REFERENCE ONLY UNLESS OTHERWISE SPECIFIED.
2. COVERS SHIPPED NOT ASSEMBLED.
3. 100 KITS BULK PACKED.



OBSOLETE	ALMOND	8.00 - 10.54	1-552011-5
	BLACK	[.315 - .415]	1-552011-1
OBSOLETE	ALMOND	10.54 - 11.81	552011-5
	BLACK	[.415 - .465]	552011-1
	COLOR	CABLE RANGE DIAMETER	PART NUMBER

THIS DRAWING IS A CONTROLLED DOCUMENT.		DWN DL DRUMMOND 22 APR 96		
DIMENSIONS: mm [INCHES]		CHK D. AHERON 09 MAY 96		
TOLERANCES UNLESS OTHERWISE SPECIFIED:		APVD M. HUGHES 09 MAY 96	NAME	
0 PLC ± -	1 PLC ± -	COVER KIT, 90 DEGREE, 50 POSITION, CHAMP®		
2 PLC ± -	3 PLC ± -	PRODUCT SPEC		
4 PLC ± -	ANGLES ± -	APPLICATION SPEC		
MATERIAL POLYPHENYLENE OXIDE	FINISH -	WEIGHT -	SIZE A3	CAGE CODE 00779
		DRAWING NO C-552011	RESTRICTED TO -	
		CUSTOMER DRAWING	SCALE 1:1	SHEET 1 of 1
			REV K1	