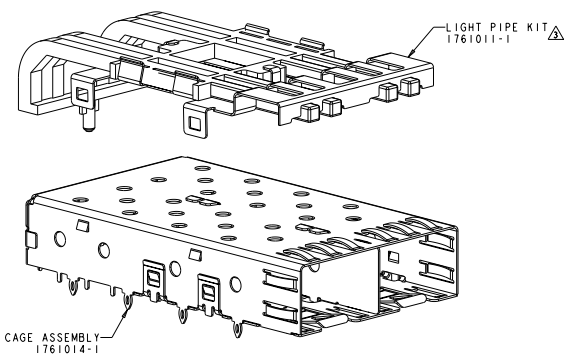
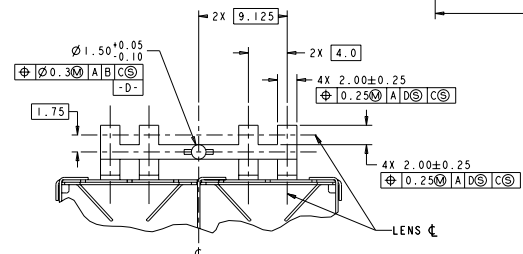
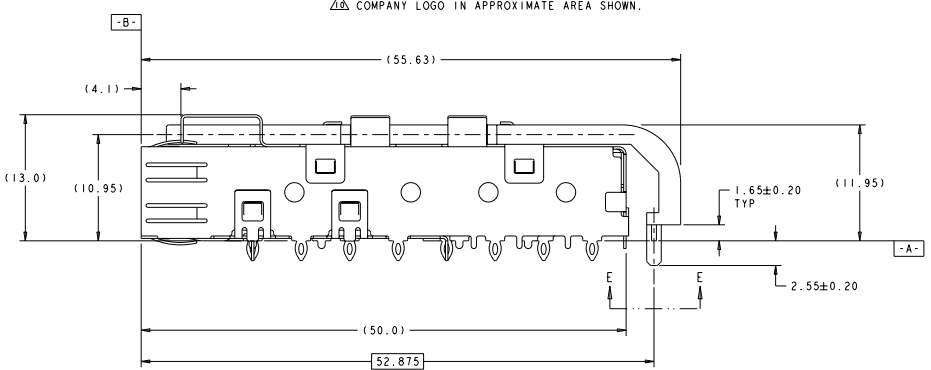
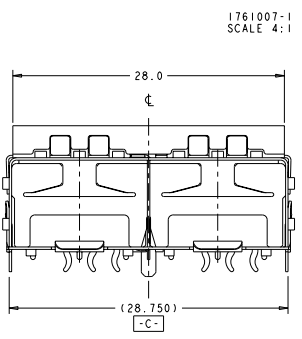


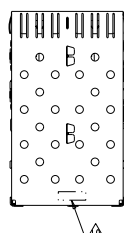
REVISED		REVISIONS			
NO	DATE	DESCRIPTION	BY	CHK	APPV
E1		REVISED PER ECO-11-004833	IMP/PHI	BA	HRB



- △ PADS AND VIAS CHASSIS GROUND.
- △ DATUM AND BASIC DIMENSIONS ESTABLISHED BY CUSTOMER.
- △ LIGHT PIPE KIT WHICH IS SEPARATE FROM CAGE ASSEMBLY. KIT TO BE ATTACHED AFTER SEATING OF 1761014-1 ON PC BOARD.
- 4. LABEL ON CAGE WILL HAVE PART NUMBER 1761014-1.
- 5. REFERENCE STYLE I ON APPLICATION SPECIFICATION 114-13165 FOR ADDITIONAL INFORMATION ON CAGE ASSEMBLIES WITH LIGHT PIPES.
- △ REFERENCE APPLICATION SPEC 114-13120, HOLE A, FOR RECOMMENDED DRILL HOLE DIAMETER AND PLATING THICKNESSES.
- △ REFERENCE APPLICATION SPEC 114-13120, HOLE B, FOR RECOMMENDED DRILL HOLE DIAMETER AND PLATING THICKNESSES.
- △ PATTERN REPEATS FOR EACH PORT. SPACING BETWEEN PORTS IS 14.25mm.
- △ MINIMUM PC BOARD THICKNESS = 1.50mm.
- △ COMPANY LOGO IN APPROXIMATE AREA SHOWN.



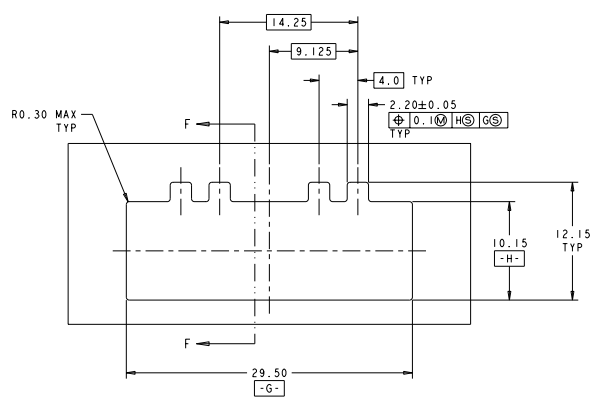
VIEW E-E
ROTATED 90° COUNTERCLOCKWISE



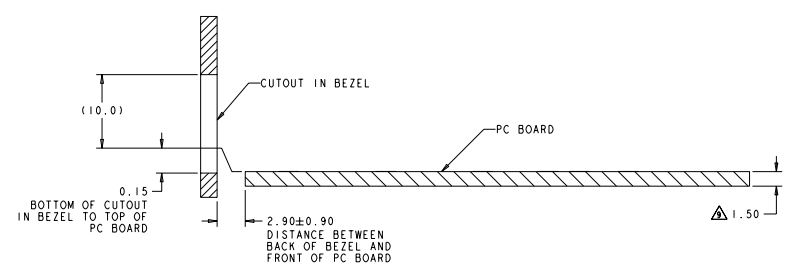
IX2 ASSEMBLY	1761007-1
DESCRIPTION	PART NO

THIS DRAWING IS A CONTROLLED DOCUMENT.		DATE: JAN 2004	REV: 00
DESIGNED BY: M. PHILLIPS	DATE: JAN 2004	REV: 00	
CHECKED BY: M. PHILLIPS	DATE: JAN 2004	REV: 00	
APPROVED BY: M. PHILLIPS	DATE: JAN 2004	REV: 00	
DATE: 108-1950	DESCRIPTION: SFP	STATE: CA	REV: 00
DATE: 114-13120	DESCRIPTION: IX2 CAGE ASSEMBLY WITH LIGHT PIPE	STATE: CA	REV: 00
DATE: 00779	DESCRIPTION: 1761007	STATE: CA	REV: 00
CUSTOMER DRAWING			

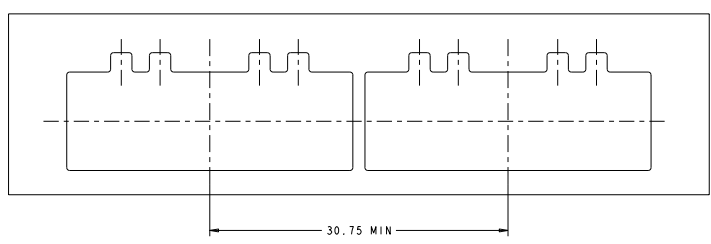
REV	DATE	DESCRIPTION	BY	CHK	APP
GP	00	SEE SHEET 1			



RECOMMENDED BEZEL CUTOUT



SECTION F-F
 RECOMMENDED BEZEL CONFIGURATION



THIS DRAWING IS A CONTROLLED DOCUMENT.		REV. 001	DATE: 2004 JAN 2004	TE Connectivity
DRAWING NO.: PART NO.: REV. NO.: DATE:	DESIGNED BY: [Signature] CHECKED BY: [Signature] APPROVED BY: [Signature]	NAME: PHILLIPS TITLE:	DATE: 2004 JAN 2004	
MATERIAL:		SIZE: 1X2 CAGE ASSEMBLY WITH LIGHT PIPE		PART NUMBER: 100-1950 MANUFACTURING DOC: 114-13120 REV: A 00779 ©=1761007 CUSTOMER DRAWING
FINISH:		STATE: CA CASE NUMBER: 00779 ©=1761007 SHEET: 2 OF 3 PAGE: 1		

