

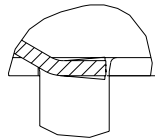
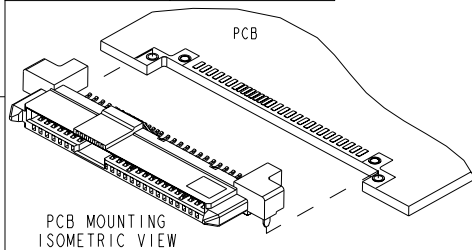
PRODUCT NO.	PACKAGING
10036587-001LF	TRAY
10036587-001TRLF	TAPE & REEL
10036587-002LF	TRAY
10036587-002TRLF	TAPE & REEL
10036587-003LF	TRAY

A

B

C

D



NOTES:-

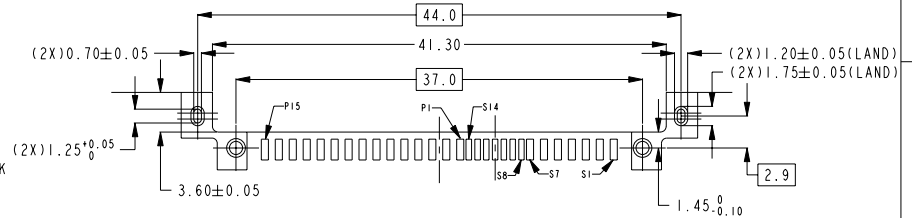
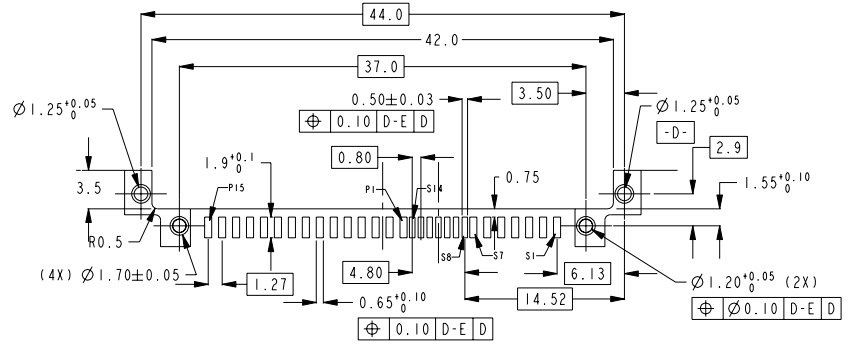
- MATERIAL:
 - HOUSING : HIGH TEMP. THERMOPLASTIC, 94V-0, COLOR: BLACK
 - TERMINAL : COPPER ALLOY
 - HOLD DOWN: COPPER ALLOY
- FINISH:
 - TERMINAL : 30u" Au PLATING (CONTACT POINT) OVER 50u" MIN NICKEL
 - SOLDER TAIL: 100u" MIN TIN OVER 50u" MIN NICKEL
 - HOLD DOWN : 100u" MIN TIN OVER 50u" MIN NICKEL
- PACKAGING:
 - 10036587-XXXLF : REFER TO STANDARD PACKAGING IN TRAY
 - 10036587-XXXTRLF: REFER TO TAPE AND REEL PACKAGING
- THE HOUSING WILL WITHSTAND EXPOSURE TO 260 DEGREES CELSIUS PEAK TEMPERATURE FOR 10 SECONDS IN A CONVECTION, INFRE-RED OR VAPOUR PHASE REFLOW OVEN
- THIS PRODUCT MEETS EUROPEAN UNION DIRECTIVES AND OTHER COUNTRY REGULATIONS AS DESCRIBED IN GS-22-008
- PART NUMBERS ENDING IN "LF" MEANS FOR NOTE 5 LEAD FREE IDENTIFICATION, P/N XXXXXXXX-XXXLF IS EQUIVALENT TO PREVIOUS P/N XXXXXXXX-XXX
- ALL SOLDER TAIL TO BE WITHIN 0.10mm, MAX COPLANARITY.
- ALL SOLDER TAILS ANGLE CONTROL SHALL BE $0^\circ \pm 4^\circ$ AND APPLIED TO P/N 10036587-XXXLF.
- A Δ SYMBOL BE NEXT TO ANY DIMENSION, VIEW, OR NOTE WHICH HAS) BEEN MODIFIED WITH THE CURRENT DRAWING REVISION.

REV 1 - 2004-04-17

2

3

4



Copyright FCI.

www.fci.com				surface	tolerance std	projection	MM
				ASME Y14.5	ASME Y14.5		
				TOLERANCES UNLESS OTHERWISE SPECIFIED			
rev	ecn no	dr	date	angular	linear	size	scale
J	S08-0359	BLIM	2008-10-31	0.x	±0.25	A4	2:1
K	S09-0177	BLIM	2009-05-27	0.xx	±0.2		
				0° ±0.2°		ECN	S09-0177
				Product family			
				Spec ref			
				Part no		Rev.	
				10036587		K	
				CUSTOMER		sheet 1 of 3	

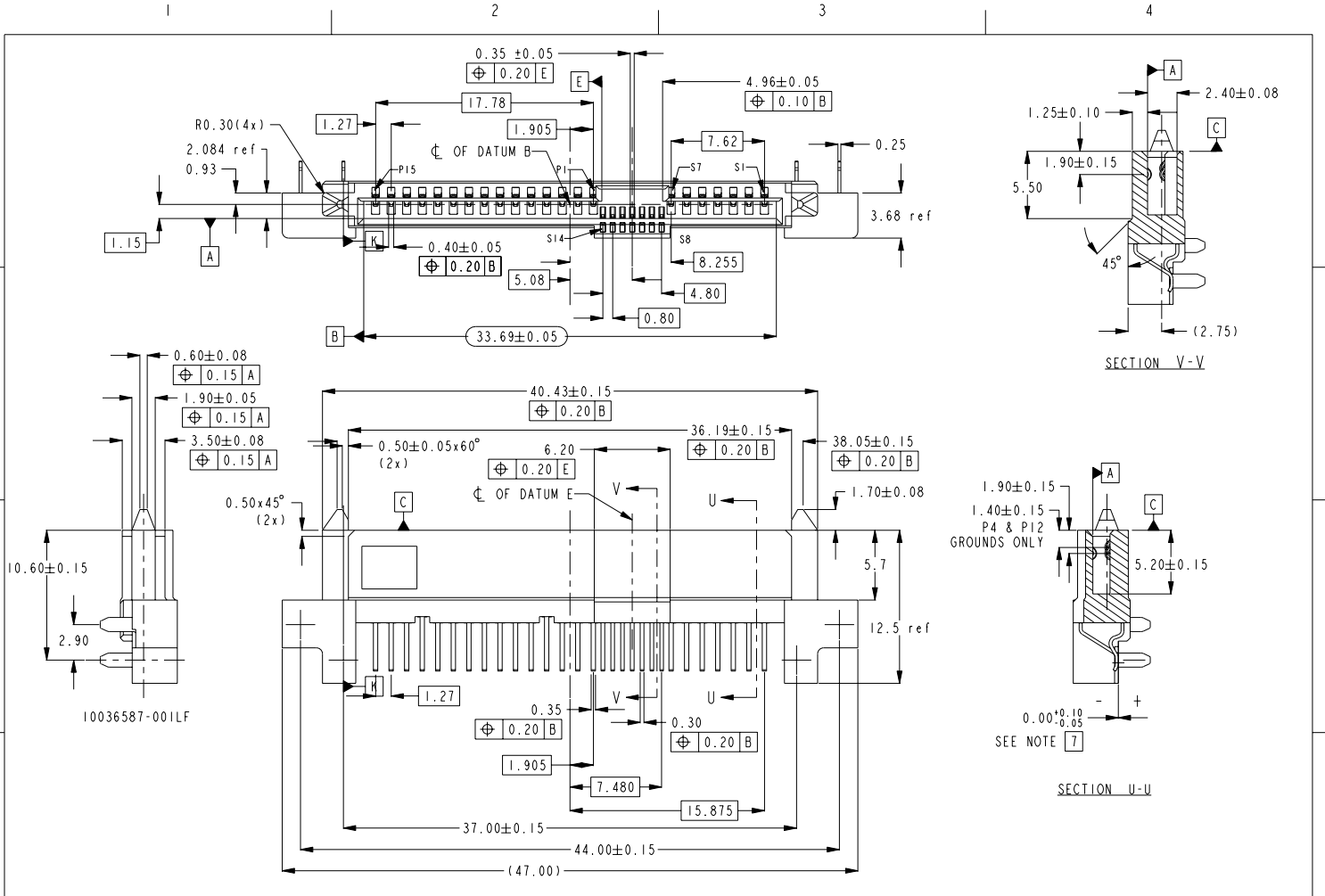
PDM: Rev:K

STATUS:Released

Printed: Dec 01, 2010



Copyright FCI.



REV: 2008-01-17

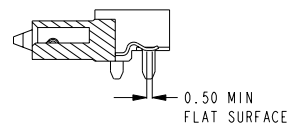
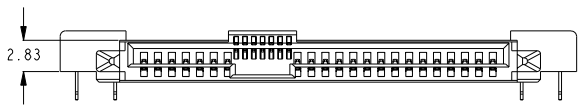
	title	SAS RECEPTACLE	dwg no	10036587	Rev.	K
	description	R/A SMT ASSY	customer	CUSTOMER	sheet	2 of 3
	catalog no					

PDM: Rev:K STATUS:Released 4 Printed: Dec 01, 2010

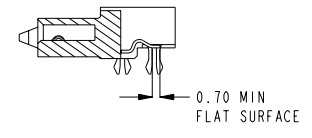
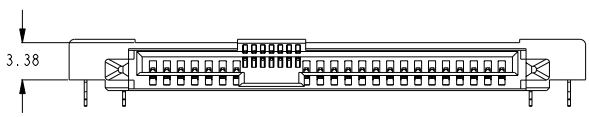


Copyright FCJ.

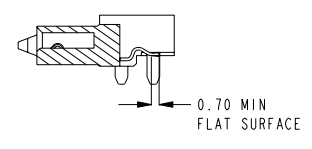
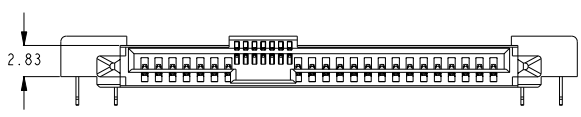
10036587-001LF



10036587-002LF



10036587-003LF



UNSPECIFIED DIMENSIONS PLEASE REFER TO PAGE 1 & 2

	title	SAS RECEPTACLE	dwg no	10036587	Rev.	K
		R/A SMT ASSY				
	catalog no		CUSTOMER	sheet 3 of 3		

PDM: Rev:K STATUS:Released⁴ Printed: Dec 01, 2010

REV: 2004-04-07