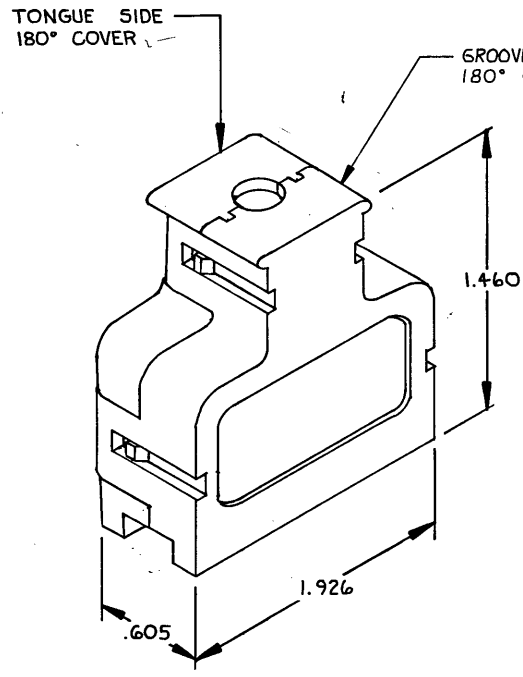


THIS DRAWING IS UNPUBLISHED. RELEASED FOR PUBLICATION
 © COPYRIGHT

REVISIONS						
P	F	ZONE	LTR	DESCRIPTION	DATE	APPROVED
		L1		REVISED PER ECO-11-005140	JAN 11	HMR

- ALL DIMENSIONS SHOWN ARE MAXIMUM UNLESS OTHERWISE SPECIFIED.
- COVERS SHIPPED NOT ASSEMBLED.

△ 100 KITS BULK PACKAGED.



△	.480 - .520	BLACK	552072-6	552071-6	▲ -6
	.360 - .430		552072-5	552071-5	-5
	.290 - .360		552072-1	552071-1	552073-1
PACKAGED	CABLE RANGE	COLOR	GROOVE SIDE	TONGUE SIDE	KIT
	DIAMETER		PART NO.	PART NO.	PART NO.
UNLESS OTHERWISE SPECIFIED DIMENSIONS ARE IN INCHES. TOLERANCES ON: DECIMALS ± ANGLES ±		CONTRACT NO.		TE Connectivity	
		DR P.K. COLLINS 5-4-83			
MATERIAL POLYPHENYLENE		CHK Stephen D... 5-6-83		COVER KIT, 180°, 36° POSITION, CHAMP®	
FINISH		APPD C.F. Morgan 5/4/83		DRAWING NO. 552073	
		APPROVED N... 5/4/83		SIZE B FSCM NO. 00779	
		DSGN APPD		DRAWING NO. 552073	
		OTHER APPD		SCALE 2:1 SHEET 1 OF 1	

CUSTOMER DRAWING