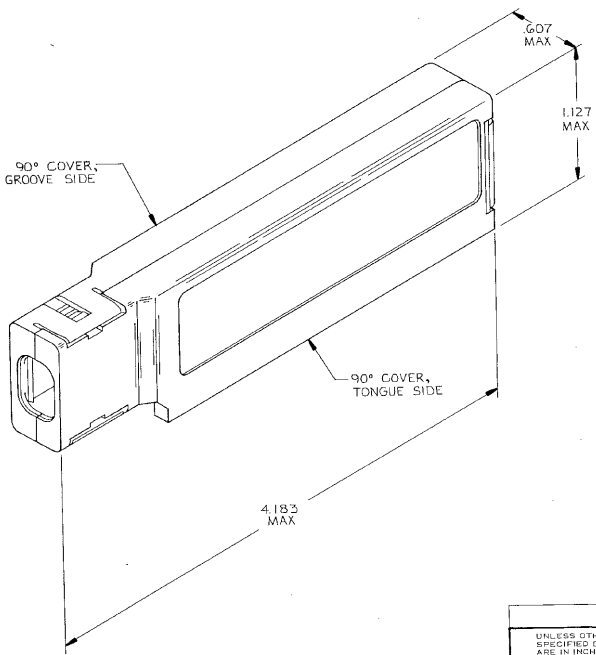


DRAWING MADE IN THIRD ANGLE PROJECTION

THIS DRAWING IS UNPUBLISHED. RELEASED FOR PUBLICATION

REVISIONS

P	F	DATE	DESCRIPTION	DATE APPROVED
		J1	REVISED PER ECO-11-005297	RM HMR



1. COVERS SHIPPED NOT ASSEMBLED.
2. 100 KITS BULK PACKED.

552496

540 - 605	BLACK	2-	-1	2-	-1	2-	-1
475 - 540		1-		1-		1-	
410 - 475	BLACK						
CABLE RANGE DIAMETER	COLOR	552494	-1	552495	-1	552496	-1
		GROOVE SIDE	PART NO.	TONGUE SIDE	PART NO.	KIT	PART NO.

UNLESS OTHERWISE SPECIFIED DIMENSIONS ARE IN INCHES	CONTRACT NO.	TE TE Connectivity	
TOLERANCES ON: DECIMALS ± ANGLES ±	DR S. Pozzobonchi 1-29-85	NAME	
MATERIAL POLYPHENYLENE	CHK C8 Gentry 1-30-85	COVER KIT, 90 DEG 64 POSITION, CHAMP®	
FINISH	APP'D M. J. Gentry 1-31-85	SIZE C	FSCM NO 00779
OTHER APP'D	DESN APP'D	DRAWING NO 552496	SHEET 1 OF 1

CUSTOMER DRAWING