

4

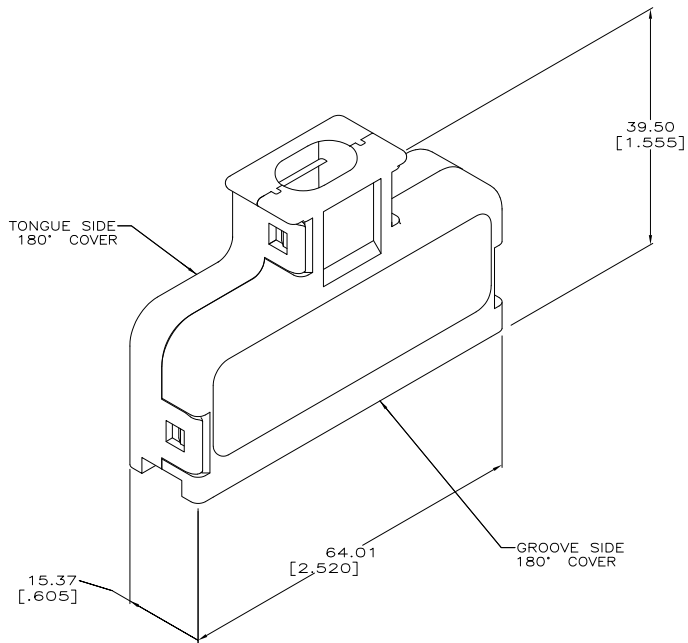
3

2

1

THIS DRAWING IS UNPUBLISHED. RELEASED FOR PUBLICATION
 © COPYRIGHT - By - ALL RIGHTS RESERVED.

LOC	DIST	REVISIONS			
F	REV	DESCRIPTION	DATE	BY	APPD
AA	20	U1	REVISED PER ECO-11-005140	28MAR11	RK HMR



- △ MATERIAL: POLYPHENYLENE OXIDE MOLDING COMPOUND. SEE TABLE FOR COLOR.
- ALL DIMENSIONS SHOWN ARE MAXIMUM UNLESS OTHERWISE SPECIFIED.
 - 100 KITS BULK PACKAGED.

12.19-13.97 [.480-.550]	ALMOND	4-552007-2	4-552006-2	4-552008-2
12.19-13.97 [.480-.550]	BLACK	4-552007-1	4-552006-1	4-552008-1
8.38-9.65 [.330-.380]	BLACK	3-552007-1	3-552006-1	3-552008-1
9.65-10.92 [.380-.430]	BLACK	2-552007-1	2-552006-1	2-552008-1
10.92-12.45 [.430-.490]	GRAY	552007-4	552006-4	552008-4
10.92-12.45 [.430-.490]	BLACK	552007-1	552006-1	552008-1
CABLE RANGE DIAMETER	COLOR	GROOVE SIDE PART NO.	TONGUE SIDE PART NO.	KIT PART NO.

THIS DRAWING IS A CONTROLLED DOCUMENT.		DRN	DATE	TE Connectivity	
DIMENSIONS: mm [INCHES]		D. STRAUSSER	21AP997	TE Connectivity	
TOLERANCES UNLESS OTHERWISE SPECIFIED:		M. HUGHES	21AP997	COVER KIT, 180 DEGREE, 50 POSITION, CHAMP	
0 PLC	±	M. HUGHES	21AP997	APPLICATION SPEC: ---	
1 PLC	±	PRODUCT SPEC: ---		SIZE	CAGE CODE
2 PLC	±	MATERIAL: △		A2	00779
3 PLC	±	FINISH: ---		C=	552008
4 PLC	±	WEIGHT: ---		CUSTOMER DRAWING	
ANGLES	±	SCALE: 2:1		SHEET: 1 of 1	REV: U1
RESTRICTED TO:					

1471-9 (3/11)

- 552008

A