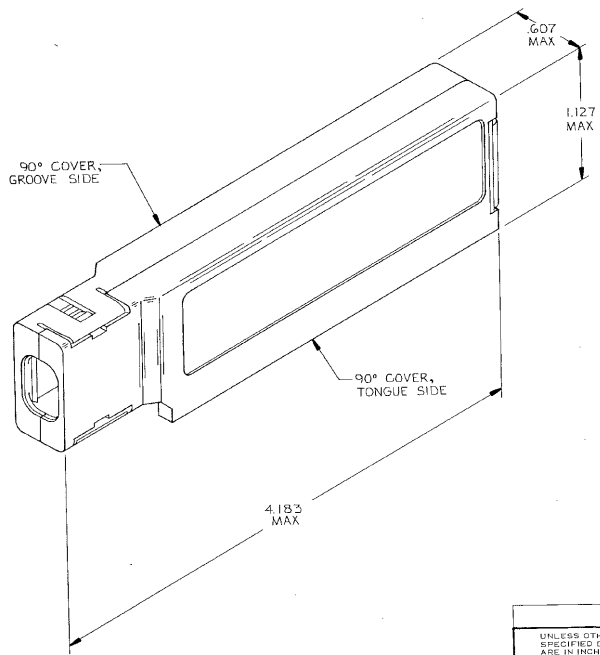


DRAWING MADE IN THIRD ANGLE PROJECTION

THIS DRAWING IS UNPUBLISHED. RELEASED FOR PUBLICATION
 © COPYRIGHT BY

REVISES		DATE	APPROVED
P	F	DESCRIPTION	BY
J1		REVISED PER ECO-11-005297	RK HMR

- COVERS SHIPPED NOT ASSEMBLED.
- 100 KITS BULK PACKED.



CABLE RANGE	COLOR	GROOVE SIDE PART NO.	TONGUE SIDE PART NO.	KIT PART NO.
540 - 605	BLACK			
475 - 540	BLACK	552494-1	552495-1	552496-1
410 - 475	BLACK			

UNLESS OTHERWISE SPECIFIED DIMENSIONS ARE IN INCHES. TOLERANCES ON: DECIMALS ± .005 ANGLES ± .01	DR S. Pozzobonchi 1-29-85 CHK C8 Gentry 1-30-85 MATERIAL POLYPHENYLENE FINISH OTHER APPD	CONTRACT NO. S. Pozzobonchi 1-29-85 NAME TE Connectivity COVER KIT, 90 DEG 64 POSITION, CHAMP® SIZE C FSCM NO. 00779 DRAWING NO. 552496 SCALE 2:1 SHEET 1 OF 1
---	---	---

CUSTOMER DRAWING

552496